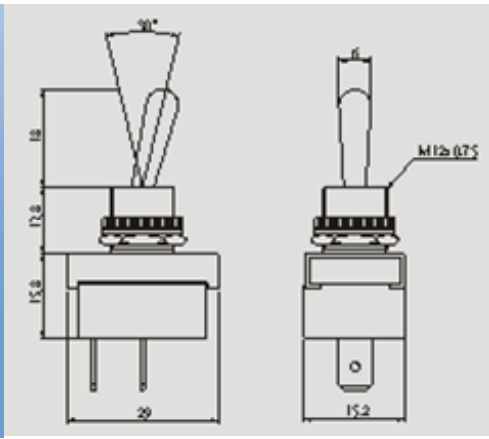


Distributed by:



www.Jameco.com ♦ 1-800-831-4242

The content and copyrights of the attached material are the property of its owner.



Rating:

10A 125VAC

6A 250VAC

Contact resistance:

50m ohms max.

Insulation resistance:

DC 500V 100M ohms min.

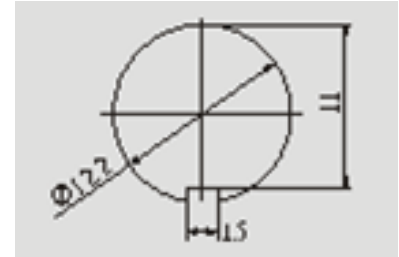
Dielectric strength:

AC 1500V 1 minute

Material: metal lever and bushing are nickel plated brass. Frame are metal plated. Plastic levers are ABS (UL flame: 94V-2).

Indicator plate and waterproof boot are optional.

Cutout



6mm max.

waterproof toggle

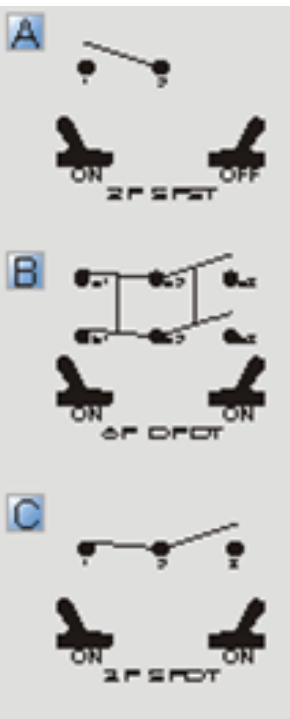




R13 - 25 - ____ - ____

Function

Lever

Terminals



- 01  .250" quick connect
- 05  Solder

R13-25C2-01

R13-25A2-01

