

Distributed by:

JAMECO[®]
ELECTRONICS

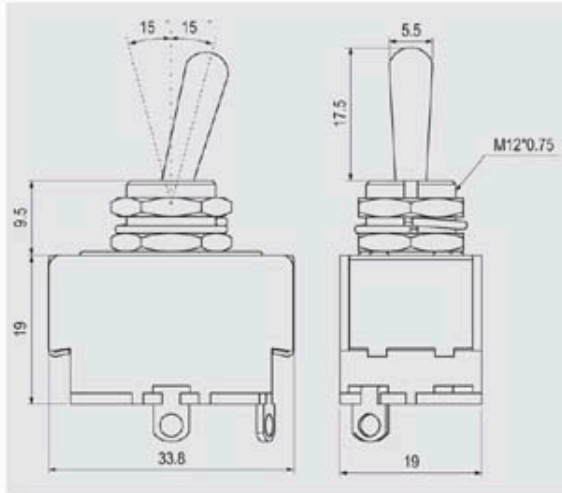
www.Jameco.com ♦ 1-800-831-4242

The content and copyrights of the attached
material are the property of its owner.

Jameco Part Number 318002

Date	Rev.	Description

R13-28



Rating	15A 125V AC 10A 250V AC
Contact resistance	50mΩ Max
Insulation resistance	DC 500V 100MΩ Min
Dielectric strength	AC 1500V 1 minute
Cut-out	 ±0.2 4 mm max

FEATURES

- * MATERIAL: Frames are metal plated. Terminals are nickel plated brass.
- * Phenolic base.
- * Standard toggle lever.
- * Indicator plate and waterproof boot are optional.



R13-28

FUNCTION	TERMINAL
<p>ON OFF 2P SPST</p>	0 1 .250" SQ

DCC. NO.
A4 DRAWING NO.

MATERIAL	GOLDSUN ELECTRONICS CO., LTD.		
JAMECO NO.	318002	GOLDSUN NO.	R13-28A-01-R
DRAWN: Kiki Chen	Description		Rev.
VERIFY PEOPLE: Wendy Chen	TOGGLE SWITCH		1
UNIT: mm	SCALE:	SHEET 4 OF 4	CAS No: ERN No: