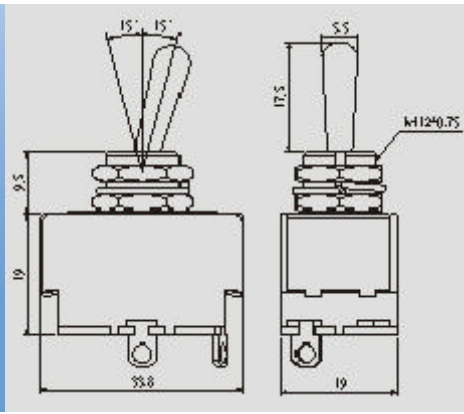


Distributed by:



[www.Jameco.com](http://www.Jameco.com) ♦ 1-800-831-4242

The content and copyrights of the attached material are the property of its owner.



Rating:

15A 125VAC

10A 250VAC

Contact resistance:

50m ohms max.

Insulation resistance:

DC 500V 100M ohms min.

Dielectric strength:

AC 1500V 1 minute

Material: frames are nylon (UL flame: 94V-2).

Terminals are nickel plated brass.

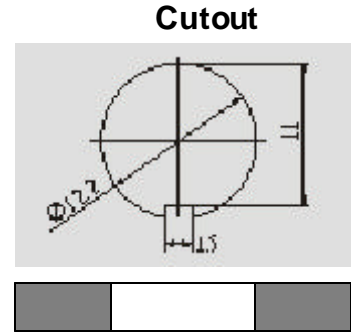
Phenolic base.

Standard toggle lever.

Indicator plate and waterproof boot are optional.



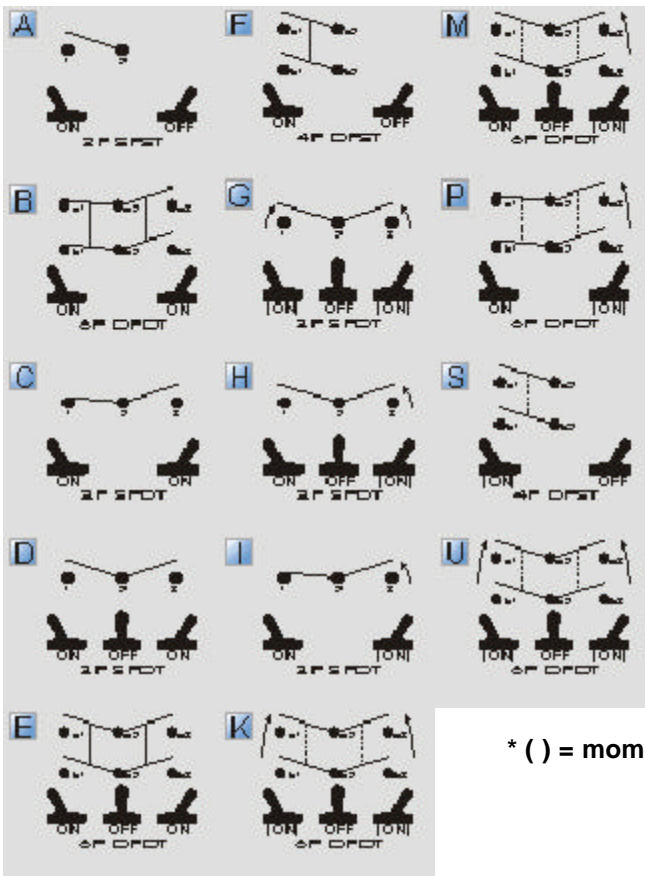
Waterproof Toggle



4mm max.





R13 - 28 - \_\_\_ - \_\_\_

Function



\* ( ) = momentary

Terminals

- 01  0.250" quick connect
- 05  Solder
- 06  M3 screw
- 07  M4 screw