

Distributed by:

JAMECO[®]
ELECTRONICS

www.Jameco.com ♦ 1-800-831-4242

The content and copyrights of the attached
material are the property of its owner.

Jameco Part Number 31974ST

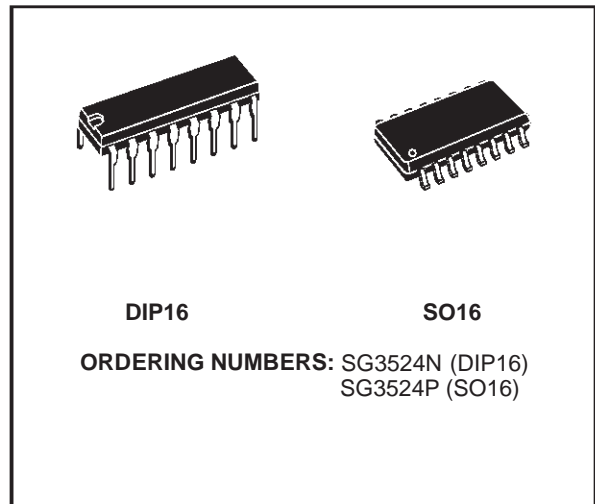


REGULATING PULSE WIDTH MODULATORS

- COMPLETE PWM POWER CONTROL CIRCUITRY
- UNCOMMITTED OUTPUTS FOR SINGLE-ENDED OR PUSH PULL APPLICATIONS
- LOW STANDBY CURRENT 8mA TYPICAL
- OPERATION UP TO 300KHz
- 1% MAXIMUM TEMPERATURE VARIATION OF REFERENCE VOLTAGE

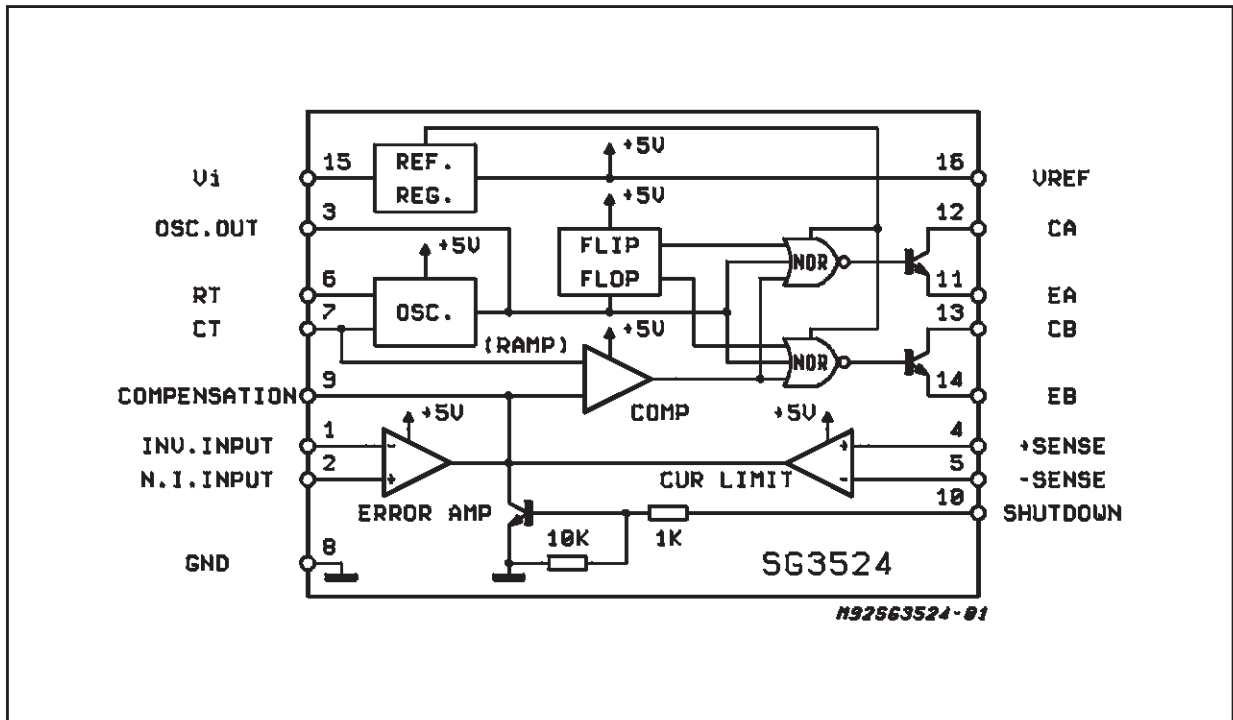
DESCRIPTION

The SG3524 incorporates on a single monolithic chip all the function required for the construction of regulating power supplies inverters or switching regulators. They can also be used as the control element for high power-output applications. The SG3524 family was designed for switching regulators of either polarity, transformer-coupled dc-to-dc converters, transformerless voltage doublers and polarity converter applications employing fixed-frequency, pulse-width modulation techniques. The dual alternating outputs allows either single-ended or push-pull applications.



Each device includes an on-chip reference, error amplifier, programmable oscillator, pulse-steering flip flop, two uncommitted output transistors, a high-gain comparator, and current-limiting and shut-down circuitry.

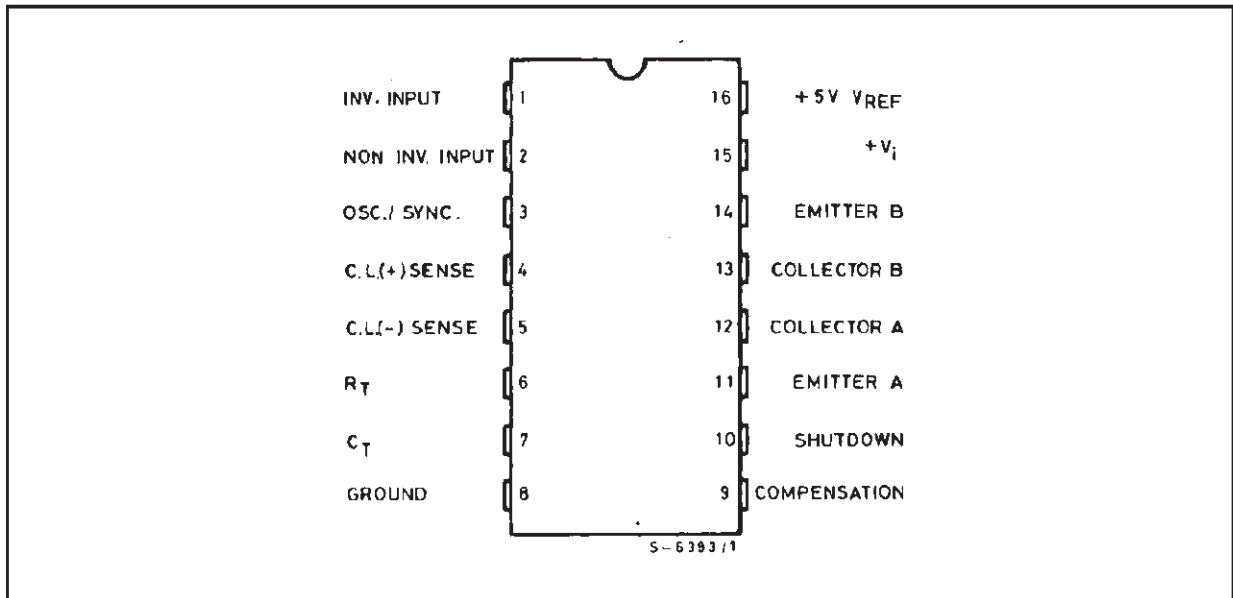
BLOCK DIAGRAM



ABSOLUTE MAXIMUM RATINGS

| Symbol | Parameter | Value | Unit |
|-----------|--|-------------|-------------|
| V_{IN} | Supply Voltage | 40 | V |
| I_C | Collector Output Current | 100 | mA |
| I_R | Reference Output Current | 50 | mA |
| I_T | Current Through C_T Terminal | - 5 | mA |
| P_{tot} | Total Power Dissipation at $T_{amb} = 70^{\circ}C$ | 1000 | mW |
| T_{stg} | Storage Temperature Range | - 65 to 150 | $^{\circ}C$ |
| T_{op} | Operating Ambient Temperature Range: | 0 to 70 | $^{\circ}C$ |

PIN CONNECTION (Top view)



THERMAL DATA

| Symbol | Parameter | | DIP16 | SO16 | Unit |
|---------------------|---|------|-------|------|---------------|
| $R_{th\ j-amb}$ | Thermal Resistance Junction-ambient | Max. | 80 | - | $^{\circ}C/W$ |
| $R_{th\ j-alumina}$ | Thermal Resistance Junction-alumina (*) | Max. | - | 50 | $^{\circ}C/W$ |

(*) Thermal resistance junction-alumina with the device soldered on the middle of an alumina supporting substrate measuring 15 x 20mm; 0.65mm thickness with infinite heatsink.

ELECTRICAL CHARACTERISTICS (unless otherwise stated, these specifications apply for $T_j = 0$ to 70°C , $V_{IN} = 20\text{V}$, and $f = 20\text{kHz}$).

| Symbol | Parameter | Test Condition | Min. | Typ. | Max. | Unit |
|-------------------------------------|-----------------------------|---|------|------|------|----------------------------|
| REFERENCE SECTION | | | | | | |
| V_{REF} | Output Voltage | | 4.6 | 5 | 5.4 | V |
| ΔV_{REF} | Line Regulation | $V_{IN} = 8$ to 40V | | 10 | 30 | mV |
| ΔV_{REF} | Load Regulation | $I_L = 0$ to 20mA | | 20 | 50 | mV |
| | Ripple Rejection | $f = 120\text{Hz}$, $T_j = 25^\circ\text{C}$ | | 66 | | dB |
| | Short Circuit Current Limit | $V_{REF} = 0$, $T_j = 25^\circ\text{C}$ | | 100 | | mA |
| $\Delta V_{REF}/\Delta T$ | Temperature Stability | Over Operating Temperature range | | 0.3 | 1 | % |
| ΔV_{REF} | Long Term Stability | $T_j = 125^\circ\text{C}$, $t = 1000\text{Hrs}$ | | 20 | | mV |
| OSCILLATOR SECTION | | | | | | |
| f_{MAX} | Maximum Frequency | $C_T = 0.001\mu\text{F}$, $R_T = 2\text{K}\Omega$ | | 300 | | KHz |
| | Initial Accuracy | R_T and C_T Constant | | 5 | | % |
| | Voltage Stability | $V_{IN} = 8$ to 40V , $T_j = 25^\circ\text{C}$ | | | 1 | % |
| $\Delta f/\Delta T$ | Temperature Stability | Over Operating Temperature Range | | | 2 | % |
| | Output Amplitude | Pin 3, $T_j = 25^\circ\text{C}$ | | 3.5 | | V |
| | Output Pulse Width | $C_T = 0.01\mu\text{F}$, $T_j = 25^\circ\text{C}$ | | 0.5 | | μs |
| ERROR AMPLIFIER SECTION | | | | | | |
| V_{OS} | Input Offset Voltage | $V_{CM} = 2.5\text{V}$ | | 2 | 10 | mV |
| I_b | Input Bias Current | | | 2 | 10 | μA |
| G_V | Open Loop Voltage Gain | | 60 | 80 | | dB |
| CMV | Common Mode Voltage | $T_j = 25^\circ\text{C}$ | 1.8 | | 3.4 | V |
| CMR | Common Mode Rejection | $T_j = 25^\circ\text{C}$ | | 70 | | dB |
| B | Small Signal Bandwidth | $A_V = 0\text{dB}$, $T_j = 25^\circ\text{C}$ | | 3 | | MHz |
| V_O | Output Voltage | $T_j = 25^\circ\text{C}$ | 0.5 | | 3.8 | V |
| COMPARATOR SECTION | | | | | | |
| | Duty-cycle | % Each Output On | 0 | | 45 | % |
| V_{IT} | Input Threshold | Zero Duty-cycle | | 1 | | V |
| | | Maximum Duty-cycle | | 3.5 | | V |
| I_b | Input Bias Current | | | 1 | | μA |
| CURRENT LIMITING SECTION | | | | | | |
| | Sense Voltage | Pin 9 = 2V with Error Amp. Set for Max. Out. $T_j = 25^\circ\text{C}$ | 180 | 200 | 220 | mV |
| | Sense Voltage T.C. | | | 0.2 | | $\text{mV}/^\circ\text{C}$ |
| CMV | Common Mode Voltage | | -1 | | 1 | |
| OUTPUT SECTION (each output) | | | | | | |
| | Collector-emitter Voltage | | 40 | | | V |
| | Collector Leakage Curr. | $V_{CE} = 40\text{V}$ | | 0.1 | 50 | μA |
| | Saturation Voltage | $I_C = 50\text{mA}$ | | 1 | 2 | V |
| | Emitter Output Voltage | $V_{IN} = 20\text{V}$ | 17 | 18 | | V |
| t_r | Rise Time | $R_C = 2\text{K}\Omega$, $T_j = 25^\circ\text{C}$ | | 0.2 | | μs |
| t_f | Fall Time | $R_C = 2\text{K}\Omega$, $T_j = 25^\circ\text{C}$ | | 0.1 | | μs |
| I_q (*) | Total Standby Current | $V_{IN} = 40\text{V}$ | | 8 | 10 | mA |

(*) Excluding oscillator charging current, error and current limit dividers, and with outputs open.

Figure 1: Open-loop Voltage Amplification of Error Amplifier vs. Frequency

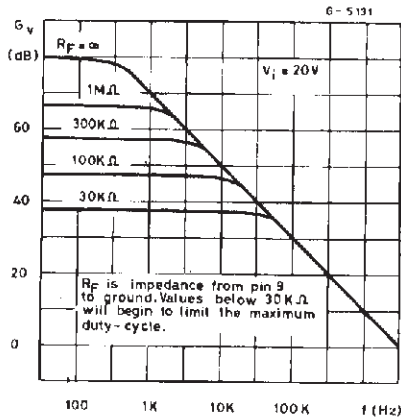


Figure 2: Oscillator Frequency vs. Timing Components

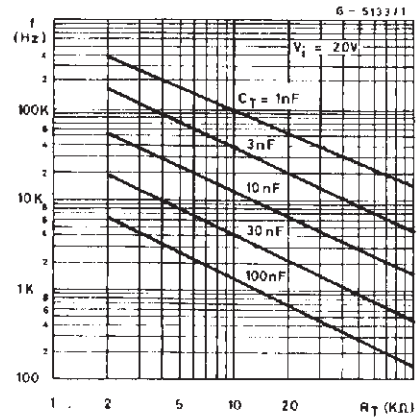


Figure 3: Output Dead Time vs. Timing Capacitance Value

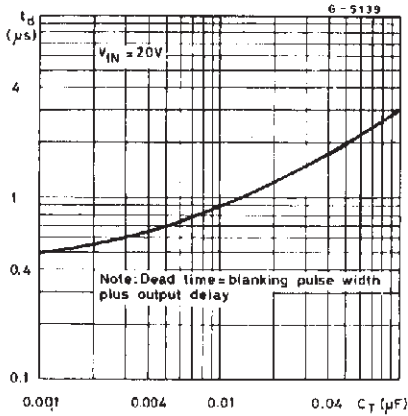


Figure 4: Output Saturation Voltage vs. load Current

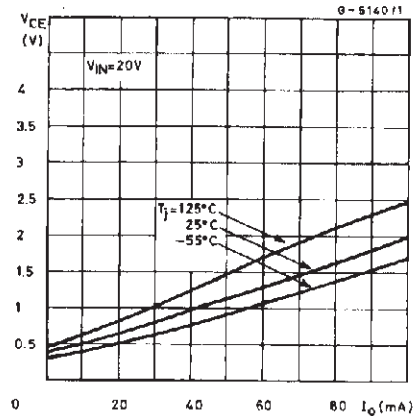
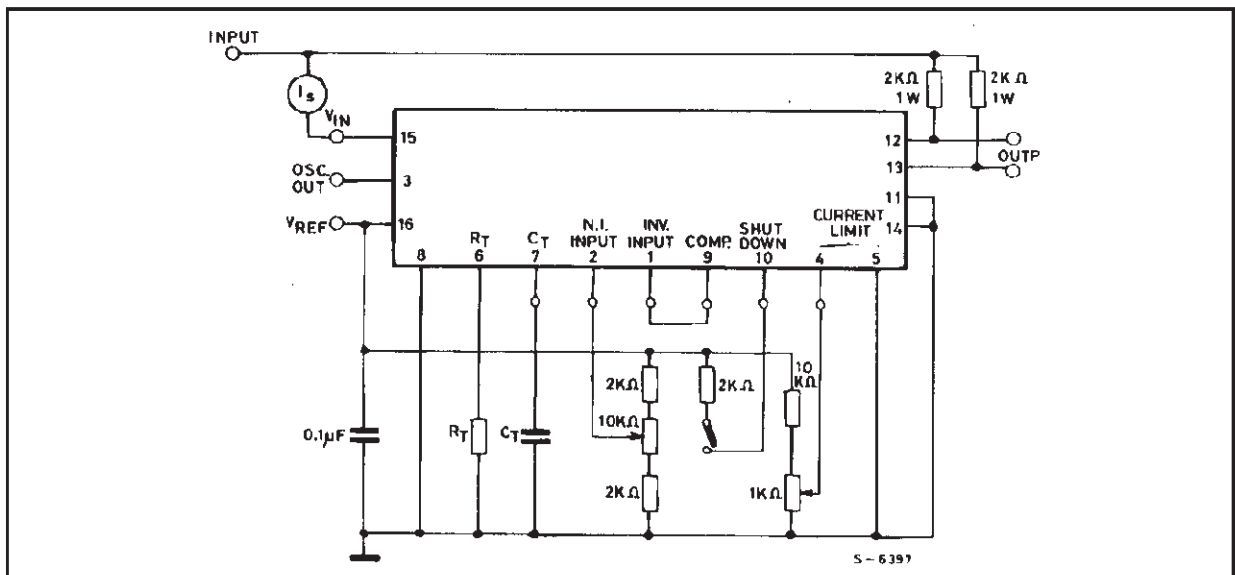


Figure 5: Open Loop Test Circuit.



PRINCIPLES OF OPERATION

The SG3524 is a fixed frequency pulse-width-modulation voltage regulator control circuit. The regulator operates at a frequency that is programmed by one timing resistor (R_T) and one timing capacitor (C_T). R_T established a constant charging current for C_T . This results in a linear voltage ramp at C_T , which is fed to the comparator providing linear control of the output pulse width by the error amplifier. The SG3524 contains, an on-board 5V regulator that serves as a reference as well as powering the SG3524's internal control circuitry and is also useful in supplying external support functions. This reference voltage is lowered externally by a resistor divider to provide a reference within the common mode range the error amplifier or an external reference may be used. The power supply output is sensed by a second resistor divider network to generate a feedback signal to error amplifier. The amplifier output voltage is then compared to the linear voltage ramp at C_T . The resulting modulated pulse out of the high-gain comparator is then steered to the appropriate output pass transistors (Q_A or Q_B) by the pulse-steering flip-flop, which is synchronously toggled by the oscillator output. The oscillator output pulse also serves as a blanking pulse to assure both output are never on simultaneously during the transition times. The width of the blanking pulse is controlled by the value of C_T . The outputs may be applied in a push-pull configuration in which their frequency is half that of the base oscillator, or paralleled for single-ended applications in which the frequency is equal to that of the oscillator. The output of the error amplifier shares a common input to the comparator with the current limiting at shutdown circuitry and can be overridden by signals from either of these inputs. This common point is also available externally and may be employed to control the gain of, or to compensate, the error amplifier, or to provide additional control to the regulator.

RECOMMENDED OPERATING CONDITIONS

| | |
|--------------------------------|----------------------|
| Supply voltage V_{IN} | 8 to 40V |
| Reference Output Current | 0 to 20mA |
| Current through C_T Terminal | - 0.03 to -2mA |
| Timing Resistor, R_T | 1.8 to 100K Ω |
| Timing Capacitor, C_T | 0.001 to 0.1 μ F |

TYPICAL APPLICATIONS DATA

OSCILLATOR

The oscillator controls the frequency of the SG3524 and is programmed by R_T and C_T ac-

ording to the approximate formula:

$$f = \frac{1.18}{R_T C_T}$$

where:

R_T is in K Ω

C_T is in μ F

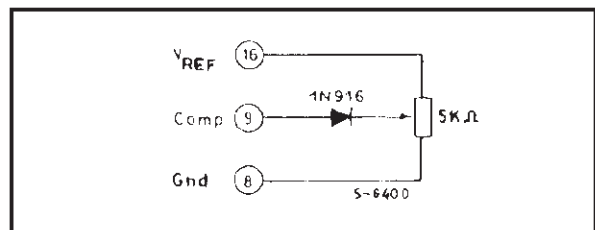
f is in KHz

Practical values of C_T fall between 0.001 and 0.1 μ F. Practical values of R_T fall between 1.8 and 100K Ω . This results in a frequency range typically from 120Hz to to 500KHz.

BLANKING

The output pulse of oscillator is used as a blanking pulse at the output. This pulse width is controlled by the value of C_T . If small values of C_T are required for frequency control, the oscillator output pulse width may still be increased by applying a shunt capacitance of up to 100pF from pin 3 to ground. If still greater dead-time is required, it should be accomplished by limiting the maximum duty cycle by clamping the output of the error amplifier. This can easily be done with the circuit below:

Figure 6.



SYNCHRONOUS OPERATION

When an external clock is desired, a clock pulse of approximately 3V can be applied directly to the oscillator output terminal. The impedance to ground at this point is approximately 2K Ω . In this configuration R_T C_T must be selected for a clock period slightly greater than that the external clock.

If two more SG2524 regulators are to be operated synchronously, all oscillator output terminals should be tied together, all C_T terminals connected to a single timing capacitor, and timing resistor connected to a single R_T terminal. The other R_T terminals can be left open or shorted to V_{REF} . Minimum lead lengths should be used between the C_T terminals.

Figure 7: Flyback Converter Circuit.

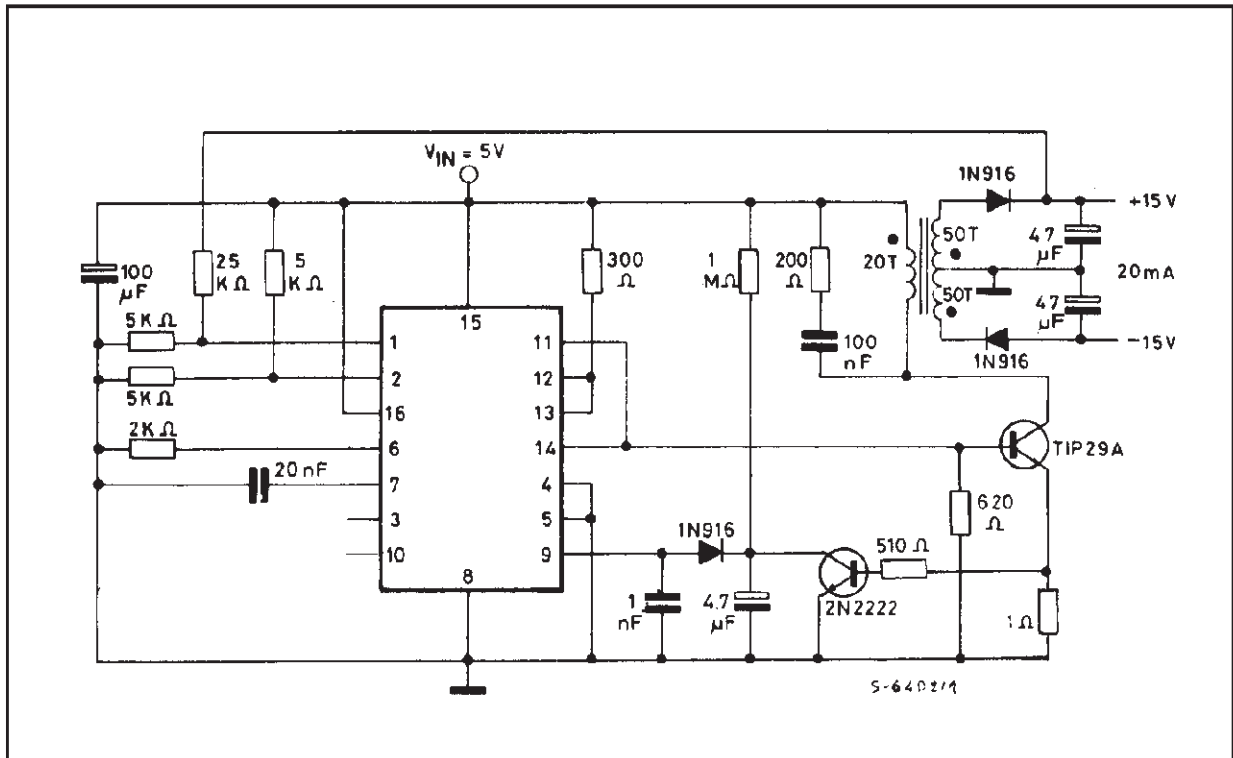
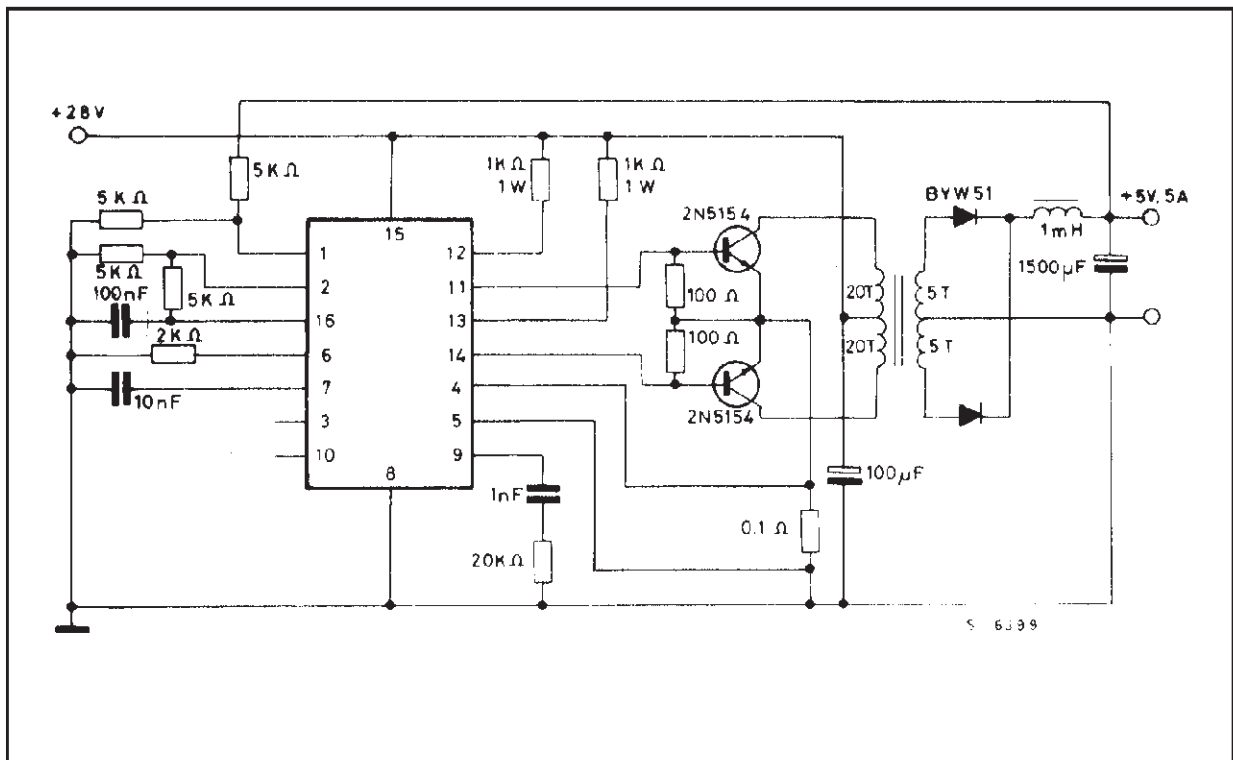
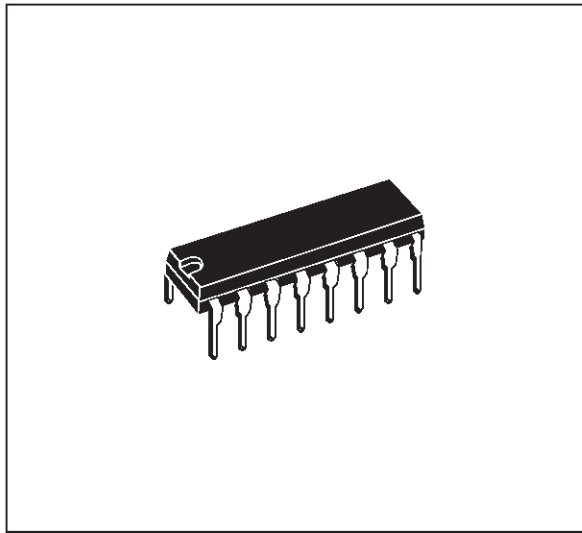


Figure 8: PUSH-PULL Transformer-coupled circuit.

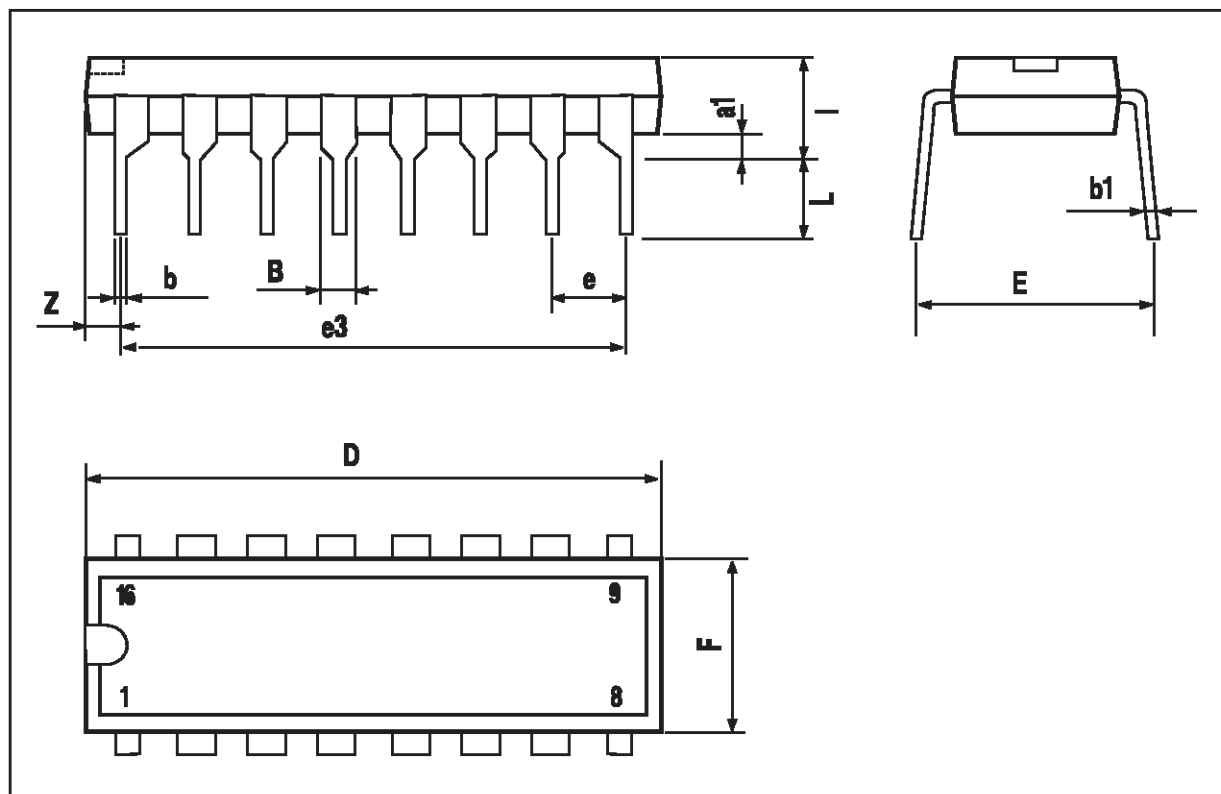


| DIM. | mm | | | inch | | |
|------|------|-------|------|-------|-------|-------|
| | MIN. | TYP. | MAX. | MIN. | TYP. | MAX. |
| a1 | 0.51 | | | 0.020 | | |
| B | 0.77 | | 1.65 | 0.030 | | 0.065 |
| b | | 0.5 | | | 0.020 | |
| b1 | | 0.25 | | | 0.010 | |
| D | | | 20 | | | 0.787 |
| E | | 8.5 | | | 0.335 | |
| e | | 2.54 | | | 0.100 | |
| e3 | | 17.78 | | | 0.700 | |
| F | | | 7.1 | | | 0.280 |
| I | | | 5.1 | | | 0.201 |
| L | | 3.3 | | | 0.130 | |
| Z | | | 1.27 | | | 0.050 |

OUTLINE AND MECHANICAL DATA



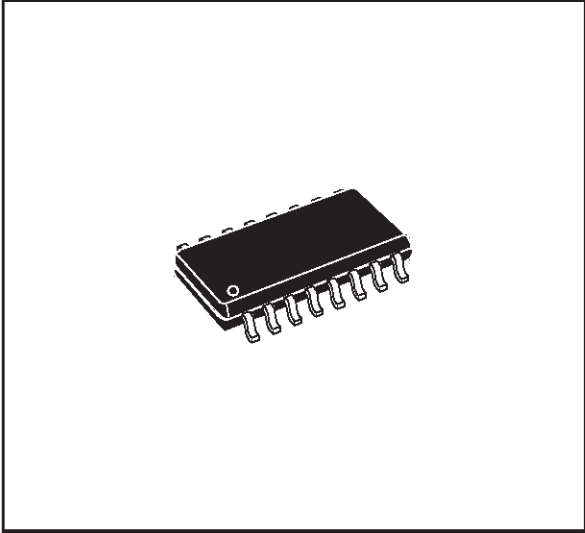
DIP16



SG3524

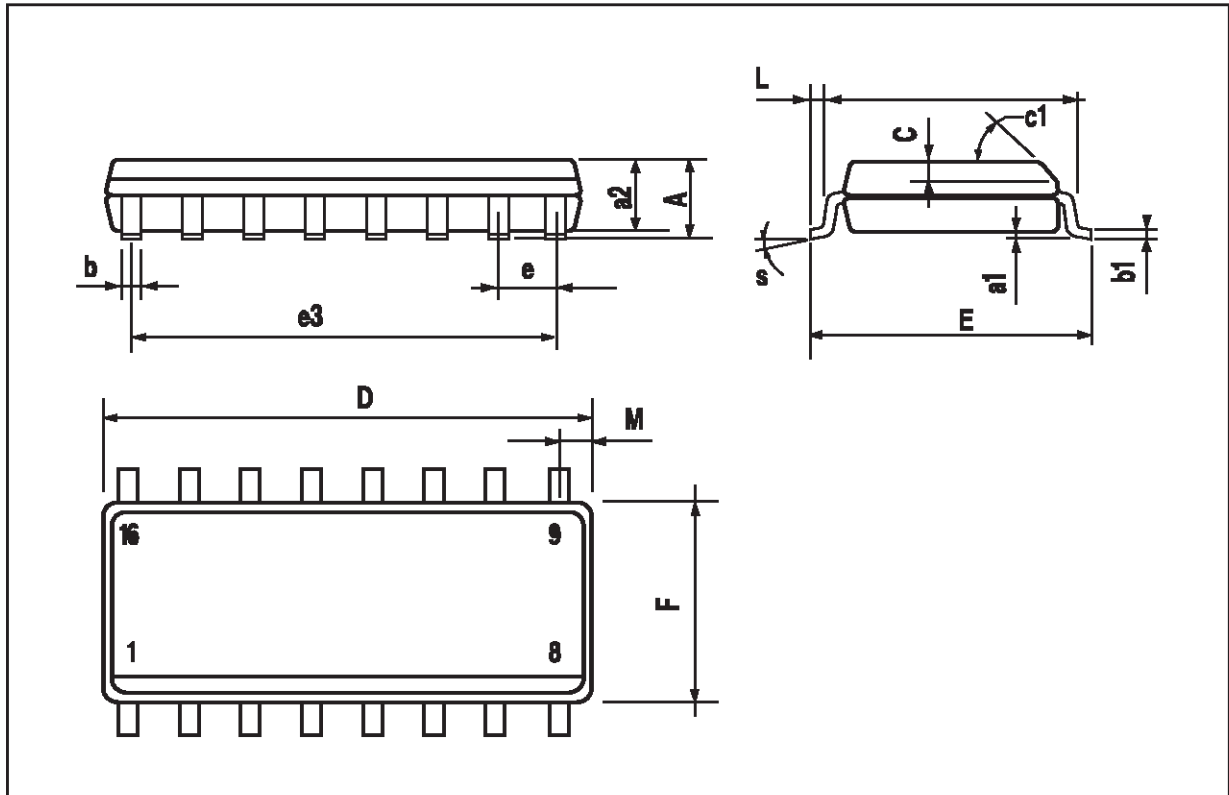
| DIM. | mm | | | inch | | |
|-------|------------|------|------|-------|-------|-------|
| | MIN. | TYP. | MAX. | MIN. | TYP. | MAX. |
| A | | | 1.75 | | | 0.069 |
| a1 | 0.1 | | 0.25 | 0.004 | | 0.009 |
| a2 | | | 1.6 | | | 0.063 |
| b | 0.35 | | 0.46 | 0.014 | | 0.018 |
| b1 | 0.19 | | 0.25 | 0.007 | | 0.010 |
| C | | 0.5 | | | 0.020 | |
| c1 | 45° (typ.) | | | | | |
| D (1) | 9.8 | | 10 | 0.386 | | 0.394 |
| E | 5.8 | | 6.2 | 0.228 | | 0.244 |
| e | | 1.27 | | | 0.050 | |
| e3 | | 8.89 | | | 0.350 | |
| F (1) | 3.8 | | 4 | 0.150 | | 0.157 |
| G | 4.6 | | 5.3 | 0.181 | | 0.209 |
| L | 0.4 | | 1.27 | 0.016 | | 0.050 |
| M | | | 0.62 | | | 0.024 |
| S | 8°(max.) | | | | | |

OUTLINE AND MECHANICAL DATA



SO16 Narrow

(1) D and F do not include mold flash or protrusions. Mold flash or protrusions shall not exceed 0.15mm (.006inch).



Information furnished is believed to be accurate and reliable. However, STMicroelectronics assumes no responsibility for the consequences of use of such information nor for any infringement of patents or other rights of third parties which may result from its use. No license is granted by implication or otherwise under any patent or patent rights of STMicroelectronics. Specification mentioned in this publication are subject to change without notice. This publication supersedes and replaces all information previously supplied. STMicroelectronics products are not authorized for use as critical components in life support devices or systems without express written approval of STMicroelectronics.

The ST logo is a registered trademark of STMicroelectronics

© 2000 STMicroelectronics – Printed in Italy – All Rights Reserved

STMicroelectronics GROUP OF COMPANIES

Australia - Brazil - China - Finland - France - Germany - Hong Kong - India - Italy - Japan - Malaysia - Malta - Morocco -
Singapore - Spain - Sweden - Switzerland - United Kingdom - U.S.A.

<http://www.st.com>