

Distributed by:



[www.Jameco.com](http://www.Jameco.com) ♦ 1-800-831-4242

The content and copyrights of the attached material are the property of its owner.

# MCD Electronics Incorporated

Innovative Solutions With Light



MCDL-5013UWC (White 5MM)

Φ 5MM ROUND TYPE

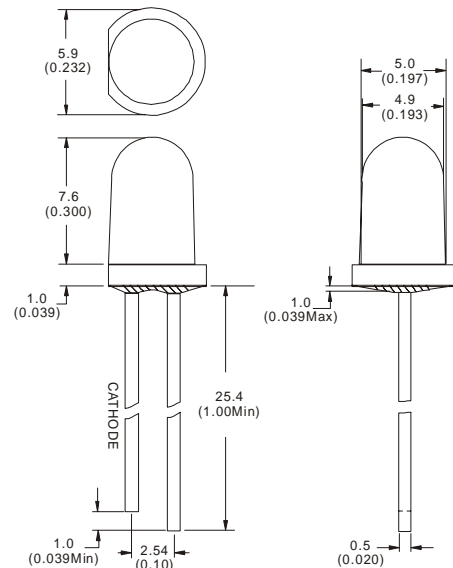
Ultra Brightness White LED

**Features:**

- SMALL FLANGE WITHOUT STAND-OFF
- LONG LIFE-SOLID STATE RELIABILITY.
- LONG LEAD LENGTH (25.4mm).
- VERSATILE MOUNTING ON P.C. BOARD OR PANEL.

**Description:**

- The shape of this series is round.
- General application is for indication, illumination, etc.
- These LED lamps are available with a choice of different colors, light intensities, epoxy colors, etc.



ABSOLUTE MAXIMUM RATING :(Ta=25C)

Parameter			Unit
DC Forward Current	20		mA
Reverse Voltage	5		V
Reverse Current (Vr=5V)	10		µA
Peak Forward Current ,tw ,=1 msec Duty ,=1/20	180		mA
Operation Temperature	-40°	+80°	C
Storage Temperature	-40°	+100°	C
Solder Dip (5 seconds, 1.6mm from body )Temperature	260°	±5°	C

Part Number	EMITTED COLOR		Lens Color	Color Temperature	Vf (v) Typ	IV (If=20mA) mcd		Viewing Angle 2θ1/2
	InGaN	Super White				Min.	Max.	
<b>MCDL-5013UWC</b>	InGaN	Super White	Water Clear	7500K	3.8	5000	5500	15°
MCDL-5013UWC/15-7C	InGaN	Super White	Water Clear	7500K	3.8	5600	7000	15°
MCDL-5013UWC/15-10C	InGaN	Super White	Water Clear	7500K	3.8	8500	10000	15°
MCDL-5013UWC/20-7C	InGaN	Super White	Water Clear	7500K	3.8	5600	7000	18°
MCDL-5013UWC/20-10C	InGaN	Super White	Water Clear	7500K	3.8	8500	10000	18°
MCDL-5013UWC/20-15C	InGaN	Super White	Water Clear	7500K	3.8	10000	15000	18°
MCDL-5013UWC/50	InGaN	Super White	Water Clear	7500K	3.8	3700	4900	30°
MCDL-5013UWC/60	InGaN	Super White	Water Clear	7500K	3.8	2000	3000	50°

Remark: 3000K = Warm White (incandescent bulb color)  
 7500K = Cool White (fluorescent lamp color)

Notes:

- All dimensions are in millimeters (inches).
- Tolerance is ≤ 0.25 mm (0.10) unless otherwise specified.
- Protuded resin under flange is 1.5mm (0.59) max.
- Lead spacing is measured where the leads emerge from the package.
- Information in this technical data sheet is believed to be correct and reliable. However, no responsibility is assumed for possible inaccuracies or omission.