

P/N: 325068

OPERATING CONDITIONS / ELECTRICAL CHARACTERISTICS					
PARAMETERS	CONDITIONS	HC-49USX			UNITS
		MIN	TYP	MAX	
Frequency Range	fo	3.57		70.000	MHz
Frequency Tolerance	at +25°C			±30	ppm
Frequency Stability ref @ 25°C	Standard -10 to +70°C			±50	ppm
Shunt Capacitance	Co			7	pF
Load Capacitance (CL)	Specify in P/N	10	20	Series	pF
Drive Level				500	µW
Operating Temperature	Standard	-10		70	°C
Storage Temperature		-55		125	°C
Aging (First Year)	@ +25°C ±3°C			±5	ppm

EQUIVALENT SERIES RESISTANCE/MODE OF OSCILLATION		
FREQUENCY RANGE (MHz)	MODE OF OSC	MAX ESR
3.57~3.999	Fundamental	200
4.000~4.999	Fundamental	150
5.000~5.999	Fundamental	120
6.000~6.999	Fundamental	100
7.000~8.999	Fundamental	80
9.000~12.999	Fundamental	60
13.000~19.999	Fundamental	40
20.000~30.000	Fundamental	30
27.000~70.000	3rd Overtone	100

P/N: 325068

PACKAGE DIMENSIONS (mm)

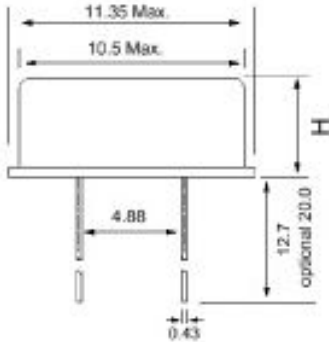


Figure 1) Side and Top views

Height "H" MAX	
-4X	3.5 mm
-4LX	2.5 mm

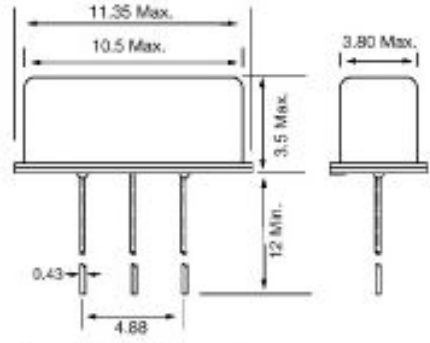


Figure 2) HC-49USX (-4X-3IL) 3rd In Line Lead Base Side, Bottom and End View.

PACKAGE DIMENSIONS (mm)

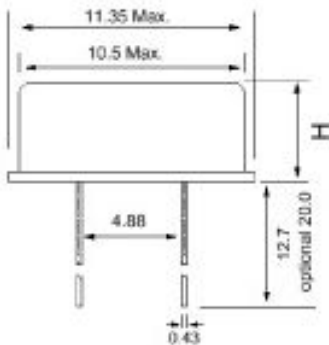


Figure 1) Side and Top views

Height "H" MAX	
-4X	3.5 mm
-4LX	2.5 mm

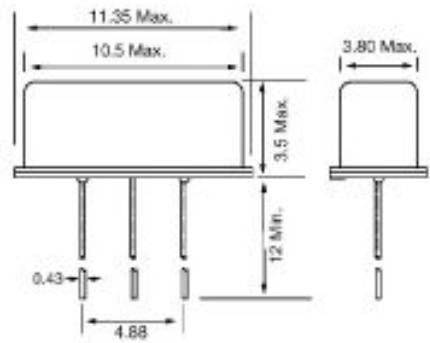


Figure 2) HC-49USX (-4X-3IL) 3rd In Line Lead Base Side, Bottom and End View.