



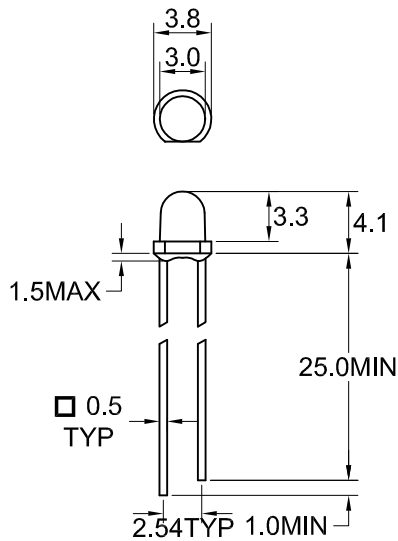
LIGITEK

ROUND TYPE LED LAMPS

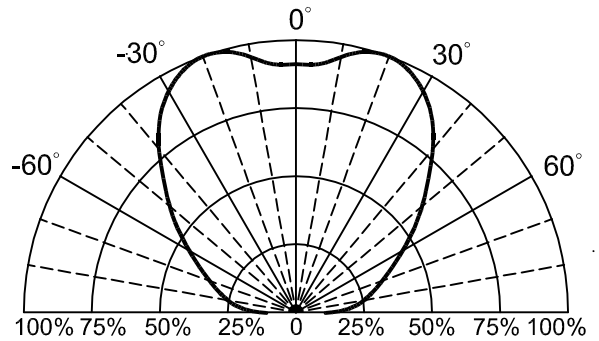
LX12340

SERIES

Package Dimension



Directivity Radiation



Note: 1. All dimension are in millimeter tolerance is $\pm 0.25\text{mm}$ unless otherwise noted
2. Specifications are subject to change without notice

• Part Selection And Application Information (Ratings At 25°C Ambient)

PART NO	MATERIAL	COLOR		Peak wave length λ Pnm	Spectral halfwidth $\Delta \lambda$ nm	Forward voltage @20mA(v)		Luminous intensity @10mA(mcd)		Viewing angle 2θ 1/2 (deg)
		Emitted	Lens			Min.	Max.	Min.	Typ.	
LH12340	GaP	Red	Red Diffused	697	90	1.7	2.6	1.8	3.0	112
LG12340	GaP	Green	Green Diffused	565	30	1.7	2.6	4.5	9.6	112
LY12340	GaAsP/GaP	Yellow	Yellow Diffused	585	35	1.7	2.6	4.5	6.5	112
LE12340	GaAsP/GaP	Orange	Orange Diffused	635	45	1.7	2.6	4.5	6.5	112
LSE12340	GaAsP/GaP	Orange	Orange Diffused	610	45	1.7	2.6	3.0	5.0	112
LI12340	GaAsP/GaP	Orange	Red Diffused	635	45	1.7	2.6	4.5	6.5	112
LA12340	GaAsP/GaP	Yellow	Orange Diffused	600	35	1.7	2.6	4.5	8.0	112

• Absolute Maximun Rating (Ta=25°C)

PARAMETER	RED		GREEN		ORANGE			YELLOW		UNIT	REMARK	
		H		G	I	E	SE	A	Y			
Forward Current		15		30	30	30	20	20	20	mA		
Peak Forward Current Duty 1/10@10KHz		60		120	120	120	80	80	80	mA		
Power Dissipation	40		100		100			80		60	mW	
Reverse Current @5v	10		10		10			10		μ A		
Operating Temperature	-40°C TO +85°C											
Storage Temperature	-40°C TO +100°C											

Lead Soldering Temperature 260°C For 5 Seconds(2.0mm From Body)

文件編號: QW0905-LX12340

版本: E

生效日期: 07 - Jan - 2003