

Distributed by:

JAMECO[®]
ELECTRONICS

www.Jameco.com ♦ 1-800-831-4242

The content and copyrights of the attached material are the property of its owner.



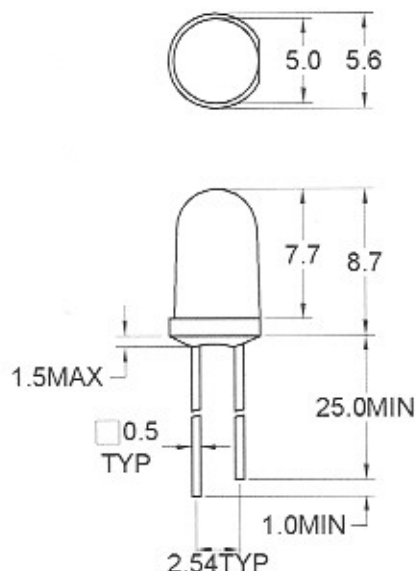
LIGITEK

SUPER BRIGHT ROUND TYPE LED LAMPS

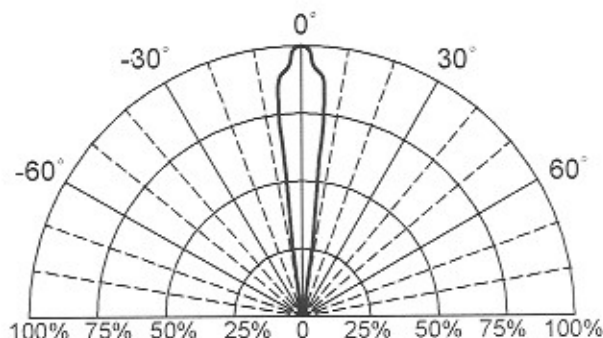
LVX3833H

SERIES

Package Dimension



Directivity Radiation



Note: 1. All dimension are in millimeter tolerance is $\pm 0.25\text{mm}$ unless otherwise noted
2. Specifications are subject to change without notice

• Part Selection And Application Information (Ratings At 25°C Ambient)

PART NO	MATERIAL	COLOR		Dominant wave length λ_{Dnm}	Spectral halfwidth $\Delta \lambda \text{ nm}$	Forward voltage @20mA(v)		Luminous intensity @20mA(mcd)		Viewing angle $2\theta \ 1/2$ (deg)
		Emitted	Lens			Min.	Max.	Min.	Typ.	
LUR3833H	AlGaInP/GaP	Red	Water Clear	630	20	1.7	2.6	4000	7700	12
LUY3833H	AlGaInP/GaP	Yellow	Water Clear	590	20	1.7	2.6	2700	5000	12

• Absolute Maximun Rating (Ta=25°C)

PARAMETER	RED		GREEN		YELLOW		ORANGE		UNIT	REMARK
		UR(H)			UY(H)					
Forward Current		50			50				mA	
Peak Forward Current Duty 1/10@10KHz		100			100				mA	
Power Dissipation	130				130				mW	
Reverse Current @5v	10				10				μA	
Operating Temperature	-40°C TO +85°C									
Storage Temperature	-40°C TO +100°C									

Lead Soldering Temperature 260°C For 5 Seconds(2.0mm From Body)