

Distributed by:

JAMECO[®]
ELECTRONICS

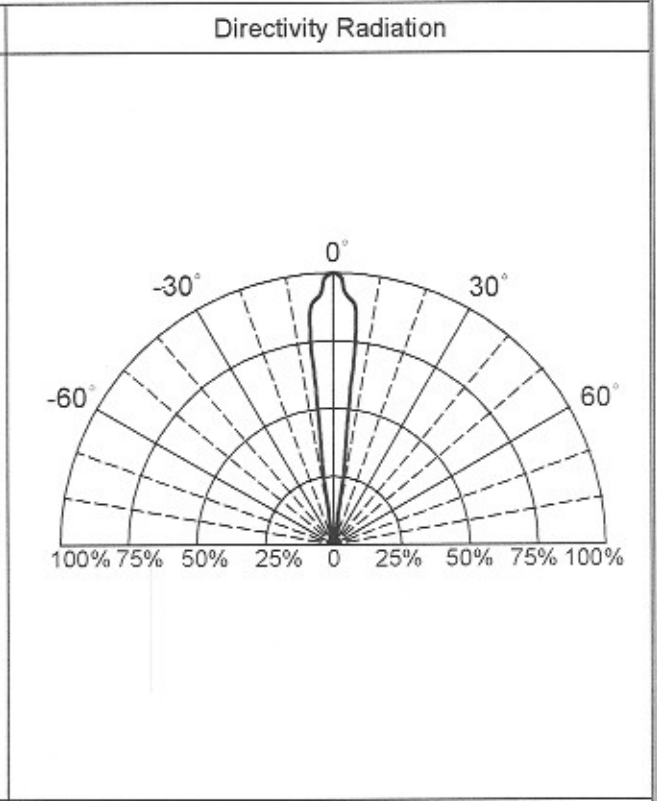
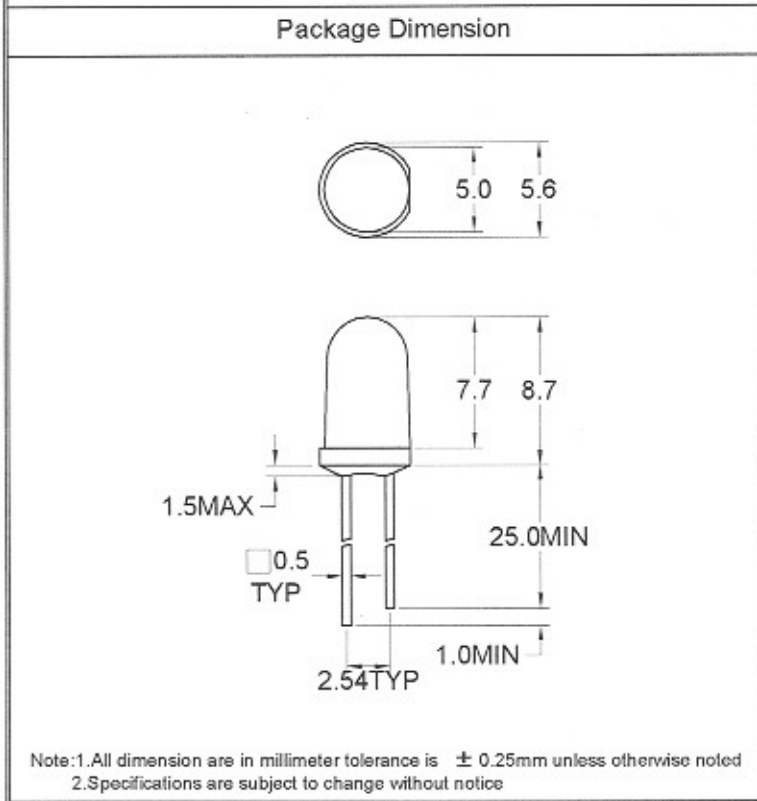
www.Jameco.com ♦ **1-800-831-4242**

The content and copyrights of the attached
material are the property of its owner.



LIGITEK

SUPER BRIGHT ROUND TYPE LED LAMPS **LVX3833** SERIES



• Part Selection And Application Information (Ratings At 25°C Ambient)

PART NO	MATERIAL	COLOR		Dominant wave length λ Dnm	Spectral halfwidth $\Delta \lambda$ nm	Forward voltage @20mA(v)		Luminous intensity @20mA(mcd)		Viewing angle 2θ 1/2 (deg)
		Emitted	Lens			Min.	Max.	Min.	Typ.	
LUG3833	AlGaInP	Green	Water Clear	574	20	1.7	2.6	900	1800	12
LHY3833	AlGaInP	Yellow	Water Clear	595	15	1.7	2.6	1500	2700	12
LUY3833	AlGaInP	Yellow	Water Clear	595	15	1.7	2.6	2700	5000	12
LUE3833	AlGaInP	Orange	Water Clear	620	17	1.7	2.6	2700	5000	12
LEF3833	AlGaInP	Orange	Water Clear	620	20	1.7	2.6	1100	1700	12
LSEF3833	AlGaInP	Orange	Water Clear	605	17	1.7	2.6	900	1800	12
LUYS3833	AlGaInP	Yellow	Water Clear	587	15	1.7	2.6	2700	5000	12

• Absolute Maximun Rating (Ta=25°C)

PARAMETER	ORANGE			GREEN		YELLOW			RED		UNIT	REMARK
	UE	EF	SEF	UG		UYS	UY	HY				
Forward Current	50	30	30	30		50	50	30			mA	
Peak Forward Current Duty 1/10@10KHz	90	60	60	120		90	90	60			mA	
Power Dissipation	120	75		100		120		75			mW	
Reverse Current @5v	10			10		10					μ A	
Operating Temperature	-40°C TO +85°C											
Storage Temperature	-40°C TO +100°C											

Lead Soldering Temperature 260°C For 5 Seconds(2.0mm From Body)