

Distributed by:

JAMECO[®]
ELECTRONICS

www.Jameco.com ♦ 1-800-831-4242

The content and copyrights of the attached
material are the property of its owner.

Jameco Part Number 335090

Distributed by:

JAMECO[®]
ELECTRONICS

www.Jameco.com ♦ 1-800-831-4242

The content and copyrights of the attached material are the property of its owner.

Features

- * LOW CURRENT REQUIREMENTS
- * EXCELLENT CHARACTER APPEARANCE
- * HIGH LIGHT OUTPUT
- * RELIABLE AND RUGGED
- * IC COMPATIBLE

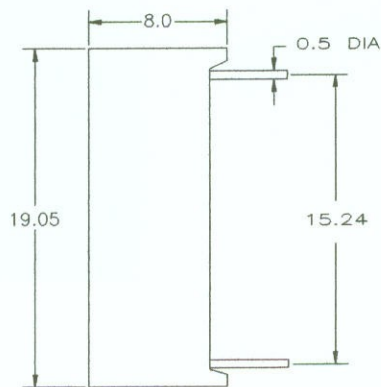
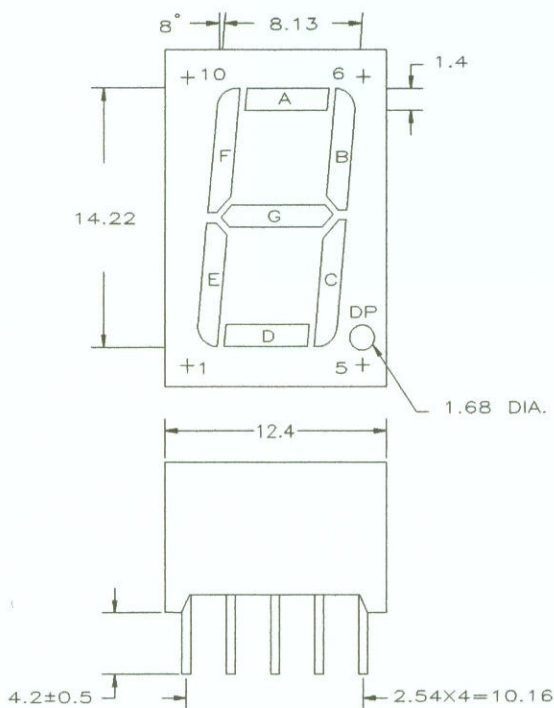
Absolute Maximum Ratings at $T_A=25^\circ\text{C}$

REVERSE VOLTAGE PER LED CHIP ($100\mu\text{ A}$)	GaAsP RED 3.0V, OTHER 5.0V
D.C. FORWARD CURRENT PER LED CHIP	30 mA
PULSE CURRENT (1/10 DUTY CYCLE, 0.1 ms PULSE WIDTH) PER LED CHIP	100 mA
OPERATING TEMPERATURE RANGE	-25°C TO +85°C
STORAGE TEMPERATURE RANGE	-25°C TO +100°C
LEAD SOLDERING TEMP. (1.6mm FROM SEATING PUANE)	260°C FOR 3

Electrical/optical characteristics at $T_A=25^\circ\text{C}$

PART NUMBER	LED CHIP	FACE COLOR	PEAK WAVELENGTH @20mA(nm)	FORWARD VOLTAGE @20mA(V)		LUMINOUS INTENSITY @10mA(mcd)				
				TYP.	MAX.	MIN.	TYP.			
UA5651-11 EWRS	UC5651-11 EWRS	GaP	RED	GREY	WHITE	700	2.1	3.0	0.5	0.8
UA5621-11 EWRS	UC5621-11 EWRS	GaP	GREEN	GREY	WHITE	567	2.1	2.6	1.7	2.9
UA5631-11 EWRS	UC5631-11 EWRS	GaAsP ON GaP	YELLOW	GREY	WHITE	585	2.1	3.0	1.4	2.3
UA5641-11 EWRS	UC5641-11 EWRS	GaAsP ON GaP	ORANGE	GREY	WHITE	635	2.1	3.0	2.0	3.3
UA5641R-11 RRRS	UC5641R-11 RRRS	GaAsP ON GaP	ORANGE	RED	RED	635	2.1	3.0	2.0	3.3

Package Dimensions And Pin Function



- UA56X1-11
COMMON ANODE
PIN NO. FUNCTION
1. CATHODE E
 2. CATHODE D
 3. COMMON ANODE
 4. CATHODE C
 5. CATHODE DP
 6. CATHODE B
 7. CATHODE A
 8. COMMON ANODE
 9. CATHODE F
 10. CATHODE G

- UC56X1-11
COMMON ANODE
PIN NO. FUNCTION
1. ANODE E
 2. ANODE D
 3. COMMON CATHODE
 4. ANODE C
 5. ANODE DP
 6. ANODE B
 7. ANODE A
 8. COMMON CATHODE
 9. ANODE F
 10. ANODE G

1. ALL DIMENSIONS ARE IN mm, TOLERANCE IS $\pm 0.25\text{mm}$ UNLESS OTHERWISE NOTED.

2. THE SLOPE ANGLE OF ANY PIN MAY BE $\pm 5.0^\circ\text{MAX}$.