

Date	Rev.	Description

### 1.Scope

This specification is applied to Piezo Buzzer(External Type)

The products described below are used for buzzer in various alarm systems.

### 2.Basic Condition.

- 2.1 Rated Voltage:12.0Vp-p Square Wave
- 2.2 Operating Voltage:30Vp-p max.
- 2.3 Operating Temperature Range:-20°C~+70°C.
- 2.4 Storage Temperature Range:-30°C~+80°C.

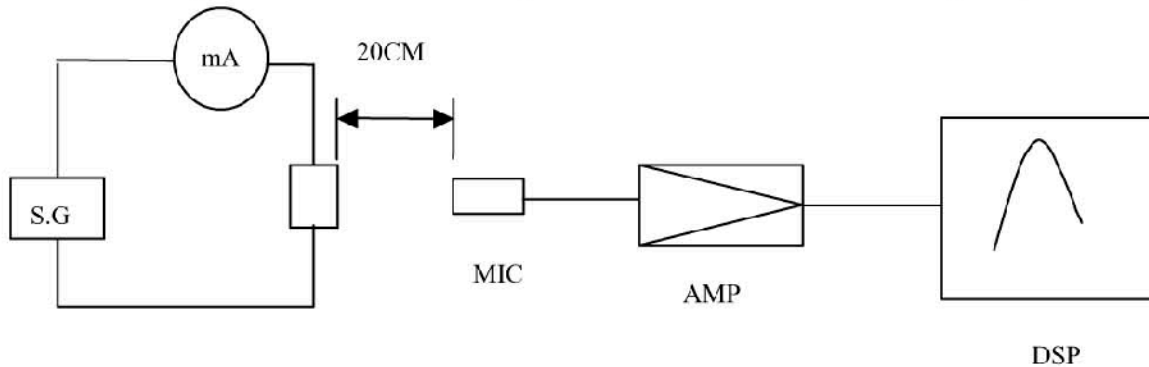
### 3.Electrical Characteristics

#### 3.1 Specification

- 3.1.1 Output SPL: ≥80dB at 20cm/ 12.0Vp-p.
- 3.1.2 Oscillation Frequency: 4000 ± 500Hz.
- 3.1.3 Electrostatic capacity Co: 36nF±30% at 120Hz.

#### 3.2 Measuring Method

3.2.1 Measuring Circuit for SPL,Consumption Current and Oscillation Frequency;



Measuring Voltage:12.0Vp-p 4000Hz, Square Wave, 1/2duty.

S.G: Signal Generator mA:Milliammeter Amp:Amplifier

Mic:Measuring Condenser Microphone

DSP: display Screen Mic+Amp.Can be replaced by a SPL meter

3.2.2 Capacitance Measuring: L.C.R Meter

3.2.3 Measuring Condition

Temperature:15°C~35°C R.H.45-75%

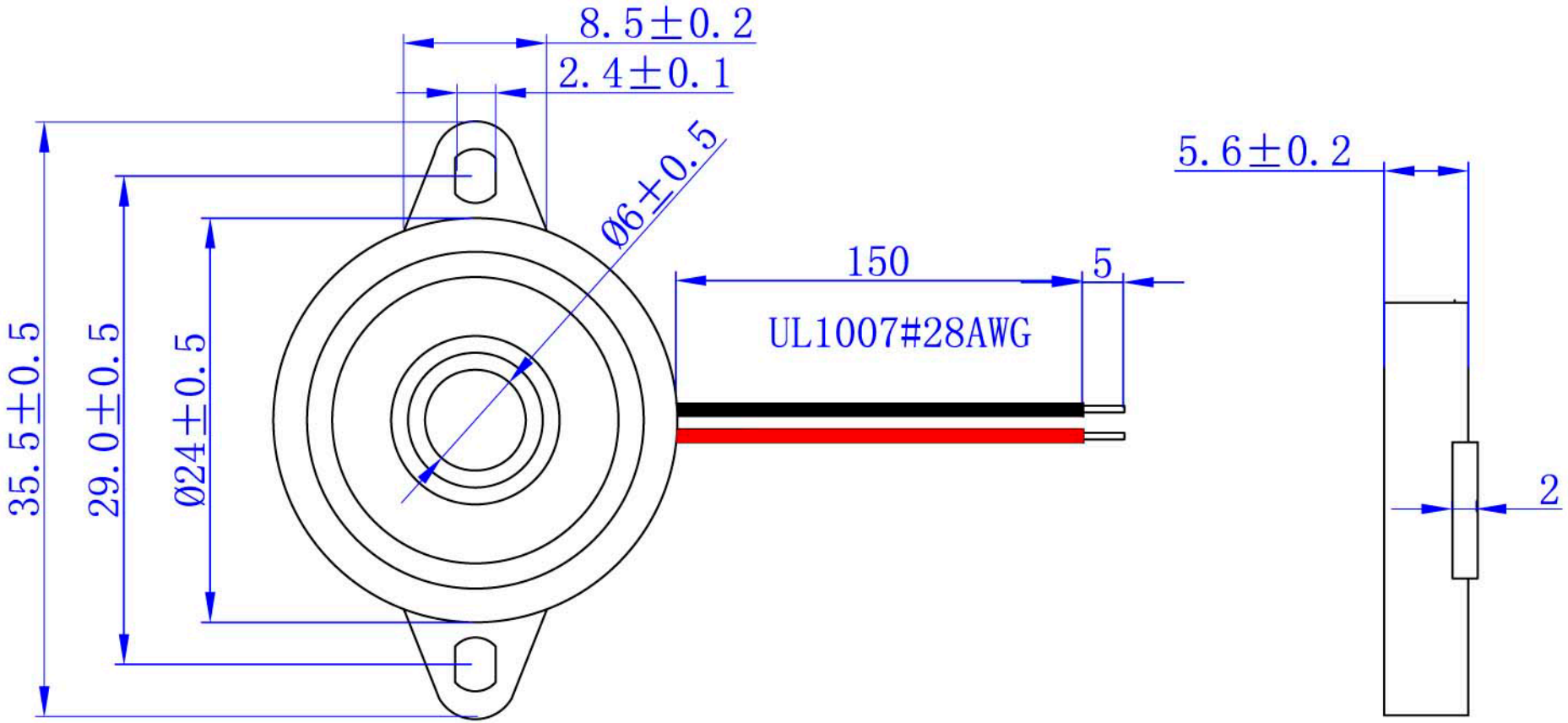
3.2.4 Judgement Condition

Temperature:20°C±3 R.H 45-75%.

DCC. NO.
A4 DRAWING NO.

MATERIAL		<b>GOLDSUN ELECTRONICS CO., LTD.</b>	
		JAMECO NO. <b>336314</b>	GOLDSUN NO. HPE-120
DRWN: Kiki Chen		Description BUZZER,PIEZO	
VERIFY PEOPLE: Ada Zheng , Ivy Lan		Rev.	1
UNIT: mm	SCALE:	SHEET 1 OF 1	CAS No: ERN No:

Date	Rev.	Description



DCC. NO.
A4 DRAWING NO.

MATERIAL		<b>GOLDSUN ELECTRONICS CO., LTD.</b>	
JAMECO NO. <b>336314</b>		GOLDSUN NO. HPE-120	
DRWN: Kiki Chen		Description BUZZER,PIEZO	
VERIFY PEOPLE: Ada Zheng , Ivy Lan		Rev. 2	
UNIT: mm	SCALE:	SHEET 1 OF 1	CAS No: ERN No: