



Jameco Part Number 34761 (LG3330)

LIGITEK

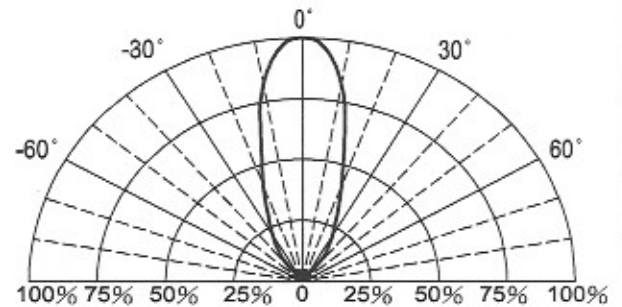
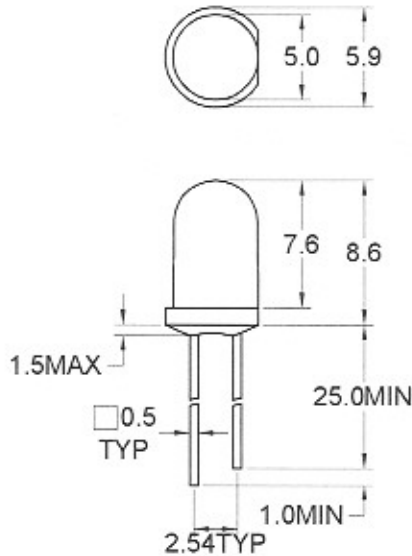
ROUND TYPE LED LAMPS

LX3330

SERIES

Package Dimension

Directivity Radiation



Note:1.All dimension are in millimeter tolerance is $\pm 0.25\text{mm}$ unless otherwise noted
2.Specifications are subject to change without notice

• Part Selection And Application Information (Ratings At 25°C Ambient)

PART NO	MATERIAL	COLOR		Peak wave length λ Pnm	Spectral halfwidth $\Delta \lambda$ nm	Forward voltage @20mA(v)		Luminous intensity @10mA(mcd)		Viewing angle 2θ 1/2 (deg)
		Emitted	Lens			Min.	Max.	Min.	Typ.	
LR3330	GaAsP	Red	Red Diffused	655	40	1.5	2.0	0.8	1.5	36
LH3330	GaP	Red	Red Diffused	697	90	1.7	2.6	3.0	4.5	36
LG3330	GaP	Green	Green Diffused	565	30	1.7	2.6	20	30	36
LSG3330	GaP	Green	Green Diffused	560	30	1.7	2.6	12	22	36
LY3330	GaAsP/GaP	Yellow	Yellow Diffused	585	35	1.7	2.6	20	30	36
LE3330	GaAsP/GaP	Orange	Orange Diffused	635	45	1.7	2.6	12	24	36
LSE3330	GaAsP/GaP	Orange	Orange Diffused	610	45	1.7	2.6	8.0	18	36
LI3330	GaAsP/GaP	Orange	Red Diffused	635	45	1.7	2.6	12	24	36
LA3330	GaAsP/GaP	Yellow	Orange Diffused	600	35	1.7	2.6	20	30	36

• Absolute Maximun Rating (Ta=25°C)

PARAMETER	RED		GREEN		ORANGE			YELLOW		UNIT	REMARK
	R	H	SG	G	SE	E	I	A	Y		
Forward Current	30	15	30	30	20	30	30	20	20	mA	
Peak Forward Current Duty 1/10@10KHz	130	60	120	120	80	120	120	80	80	mA	
Power Dissipation	120	40	100	80	100	60				mW	
Reverse Current @5v	10	10	10	10	10	10				μ A	
Operating Temperature	-40°C TO +85°C										
Storage Temperature	-40°C TO +100°C										

Lead Soldering Temperature 260°C For 5 Seconds(2.0mm From Body)