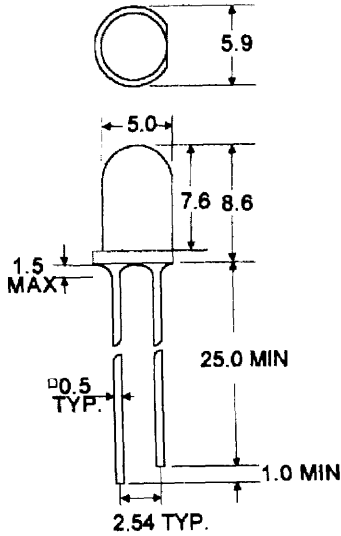


ROUND TYPE LED LAMPS

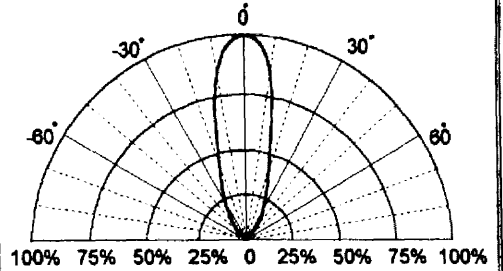
LX3330

SERIES

Package Dimension



Radiation



Note: All dimension are in millimeter tolerance is  $\pm 0.25\text{mm}$  unless otherwise noted.

Part Selection And Application Information (Ratings At 25°C Ambient)

PART NO	MATERIAL	COLOR		peak wave length $\lambda_{Pnm}$	spectral halfwidth $\Delta\lambda$ nm	forward voltage @20mA(v)		luminous intensity @10mA(mcd)		viewing angle 2 $\theta$ 1/2 (deg)
		Emitted	Len's			Min	Max	Min	Typ.	
LR3330	GaAsP	Red	Red Diffused	655	40	1.5	2.0	0.9	1.5	36
LH3330	GaP	Red	Red Diffused	697	90	1.7	2.8	1.8	3.0	36
LG3330	GaP	Green	Green Diffused	565	30	1.7	2.8	7.2	12	36
LY3330	GaAsP/GaP	Yellow	Yellow Diffused	585	35	1.7	2.8	7.2	12	36
LE3330	GaAsP/GaP	Orange	Orange Diffused	635	45	1.7	2.8	7.2	12	36
LA3330	GaAsP/GaP	Yellow	Orange Diffused	600	35	1.7	2.8	7.2	12	36

Absolute Maximum Rating (Ta=25°C)

PARAMETER	RED		GREEN		YELLOW		ORANGE		UNIT	REMARK
	R	H	G		Y	A		E		
Forward Current	40	15	30		20	20		30	mA	
Peak Current Duty 1/10 @1Khz	200	60	120		80	80		120	mA	
Power Dissipation	80	40	100		60			100	mW	
Reverse Current @5V	10		10		10		10		$\mu\text{A}$	
Operating Temperature	-40°C TO +85°C									
Storage Temperature	-40°C TO +100°C									

Lead Soldering Temperature 260°C For 5 Seconds (2.0mm From Body)