

Distributed by:



www.Jameco.com ♦ 1-800-831-4242

The content and copyrights of the attached material are the property of its owner.

Jameco Part Number 354853

GOLDSUN ELECTRONICS CO., LTD.

SPECIFICATION OF PARTS

CUSTOMER : JAMECO

JAMECO NO. 354853

TYPE : CRYSTAL OSCILLATOR

REDACTOR : 陈乃军

DATE : 2005/08/17

APPROVER : 胥爱军

DATE : 2005/08/17

SPECIFICATION OF CRYSTAL OSCILLATOR

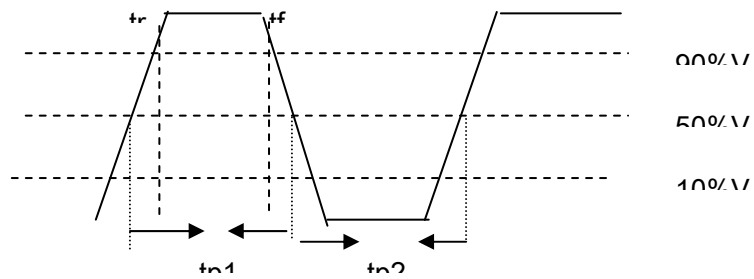
PARAMETERS

NO.	DESCRIPTION	CONTENTS
1	Part Number	TQOPD1450M000000A3
2	Custom Part Number	ECS-100A-500
3	Type	OSC
4	Nominal Frequency	50.0000MHz
5	Frequency Calibration	±100PPM
6	Supply Voltage	3.3V±10%
7	Supply Current	70mA (Max)
8	Storage Temperature	-40 -- +85°C
9	Operation Temperature	-0--- +70°C
10	Output Load	CMOS
11	Symmetry	40% to 60%(50%VDD)
12	Low Level Output Voltage	+0.5V(10%VDD)Max
13	High Level Output Voltage	+4.5V(90%VDD)Min
14	Rise And Fall Time (Tr,Tf)	10ns

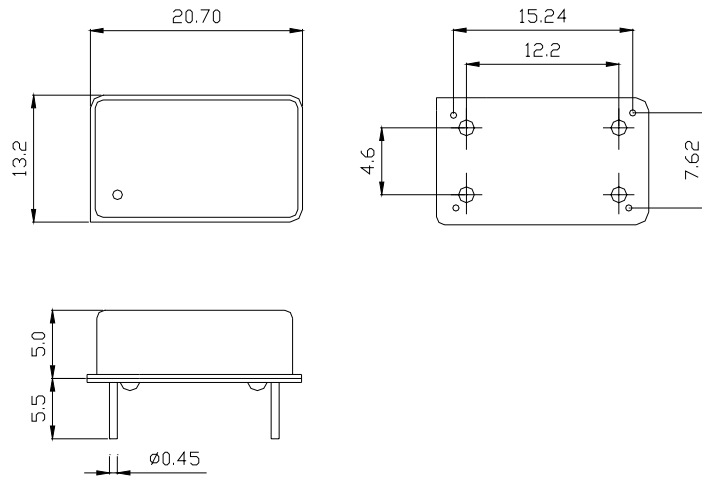
15	Holder Type	FULL SIZE
15	Marking:	
16	Other :	
Remarks:		

SPECIFICATION OF CRYSTAL OSCILLATOR

OUTPUT WAVE FORM:



DIMENSIONS(mm)



PAD CONFIGURATION

Pin No.	Descriptions	Symbol
1	Out state control	INH
4	Ground (Vss)	Vss
5	Output	Q _{OUT}
8	Power supply	VDD

SPECIFICATION OF CRYSTAL OSCILLATOR

ENVIRONMENTAL

1. Dry:	T: 105°C, 16 hour
---------	-------------------

2. Cold:	T: -40°C, 100hour
3. High temperature and high humidity:	T: 66°C, RH: 85% Duration: 192 hours After the test ,taking out the samples from the chamber ,in the normal room ambient condition for more than 24 hours then do the function test.
4. Thermal shock:	① High temperature : 66°C, RH: 45%. Duration: 1 hour. ② Lower temperature: -40°C. Duration: 1 hour. ③ After finishing every cycle temperature shock test ,in the normal room temperature for 3 hours, then do the function test. ④ After finishing all the cycle, in the normal room ambient for 24 hours then do visual inspection and function test.
5. Vibration:	Vibration direction: X. Y. Z Vibration frequency: 50HZ Amplitude: 2.2mm _{p-p} Duration:≥ 30min for every face
6. Drop:	100cm height 10 times on 3mm hard wooden board
After each test ,the charge of frequency is within ±5ppm.	