

Distributed by:

JAMECO[®]
ELECTRONICS

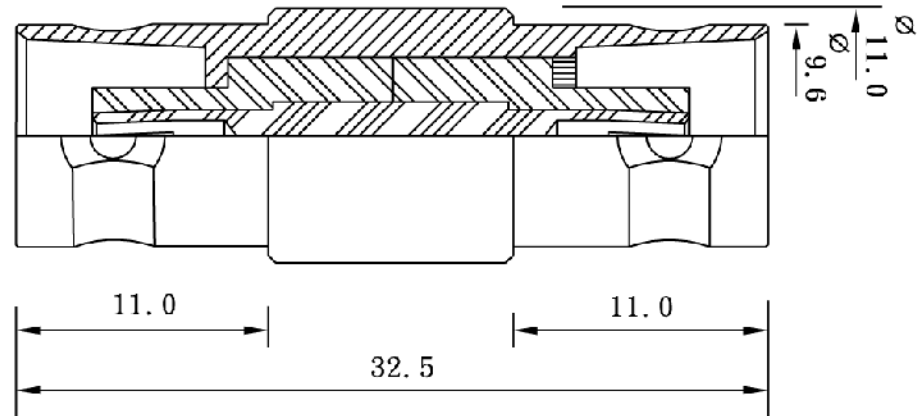
www.Jameco.com ♦ 1-800-831-4242

The content and copyrights of the attached
material are the property of its owner.

Jameco Part Number 355152

Electrical	
Impedance	50 Ω
Frequency range	0-4GHz
VSWR	≤ 1.2 typ
Test voltage	1500 volts rms
Working voltage	400 V rms
Voltage rating	500 volts peak
Power handling	≤ 80 W (2GHz)
Other (MIL-C-39012 Cable Connectors)	Contact resistance: center contact ≤ 1.5 mΩ outer contact ≤ 1 mΩ Insertion loss: ≤ 0.1x√f(GHz)dB Insulation resistance: ≥ 5000 mΩ
Material	
Mating cycles	≥ 500
Center contact captivation	Axial: ≥ 27 N
Environmental	
Temperature range	Del: -45°C~+85°C
Thermal shock	US MIL-STD 202, Meth, 107, Cond, B
Vibration	US MIL-STD 202, Meth, 204, Cond, B
Climatic class	IEC 60068 65/165/21
Shock	US MIL-STD 202, Meth, 213, Cond, B
Corrosion resistance	US MIL-STD 202, Meth, 101, Cond, B
Degree of protection (mated pair)	IEC 60529

NOTE: FINISH (PLATING THICKNESS IN MICRO-INCHES)
 1: BRASS PER QQ-B-626
 2: NICKEL PL 70 MIN THICK OVER COPPER STRIKE
 3: GOLD PL 3 MIN OVER NICKEL PL 70 MIN THICK OVER COPPER STRIKE



3	Insulator	Delrin	White
2	Contact	PH/Bronze Ⓟ	Gold
1	Body	Brass	Nickel
No	Description	Material	Finish

DCC. NO.
A4 DRAWING NO.

MATERIAL		GOLDSUN ELECTRONICS CO., LTD.	
		JAMECO NO. 355152	GOLDSUN NO. 31-219-RFX-VP-R
DRAWN: Kiki Chen		Description BNC CONNECTOR	
VERIFY PEOPLE: Wendy Chen, Fanny Du		Rev.	1
UNIT: mm	SCALE:	SHEET 1 OF 1	CAS No: ERN No: