

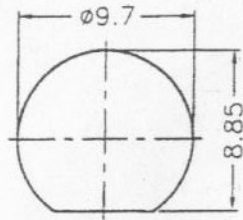
Distributed by:

JAMECO[®]
ELECTRONICS

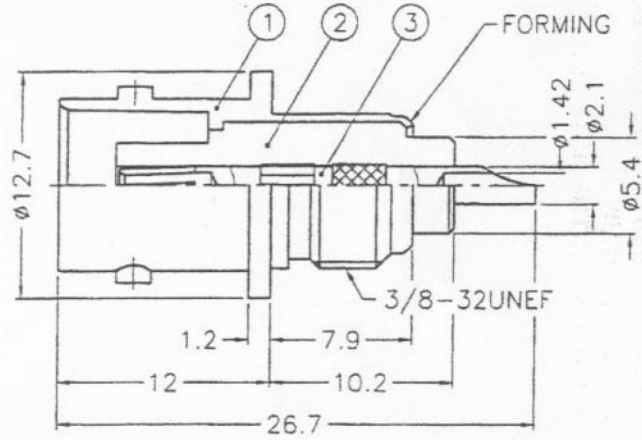
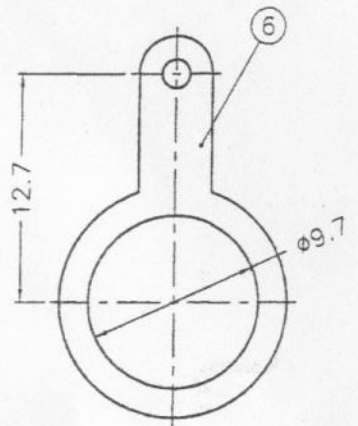
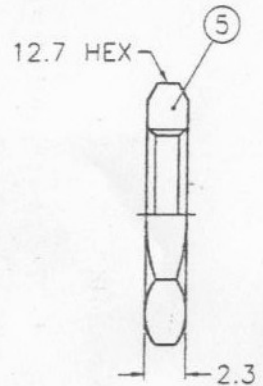
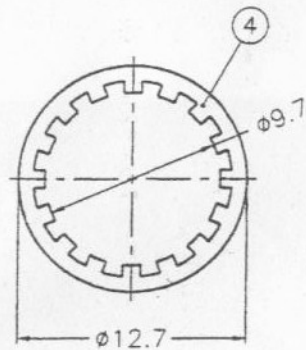
www.Jameco.com ♦ 1-800-831-4242

The content and copyrights of the attached
material are the property of its owner.

REVISIONS		
ISS	ZONE	DESCRIPTION\PER REQUEST\DATE
B	A-1	NO.2 WAS CHANGED\RD-DM88020401C\02-04-99'



RECOMMENDED MOUNTING HOLE



NOTES: FINISH (PLATING THICKNESS IN MICRO-INCHES)

1. BRASS PER QQ-B-626
2. BRASS PER QQ-B-613
3. NICKEL PL. 100 MIN. THICK OVER COPPER STRIKE
4. PHOSPHOR BRONZE PER QQ-B-750
5. GOLD PL. 3 MIN. THICK OVER NICKEL PL. 100 MIN. THICK OVER COPPER STRIKE

DIMENSIONS ARE IN MILLIMETERS						PART NO.		TITLE		
6	SOLDER TAG	NOTE 2	NOTE 3	1	B7310-7	UNLESS OTHERWISE SPECIFIED TOLERANCES 0.5-6 = ±0.2 6-30 = ±0.4 30-120 = ±0.6 120-315 = ±1 315-1000 = ±1.6 1000-2000 = ±2.4	APPROVED	DATE	BNC BULKHEAD RECEPT. JACK	
5	HEX NUT	NOTE 1	NOTE 3	1	HN127-3/8-32 X23		C	02-04-99'		
4	LOCK WASHER	NOTE 2	NOTE 3	1	LW-127/97X05		C	02-04-99'		
3	CONTACT PIN	NOTE 4	NOTE 5	1	B7310-3-50		C	02-04-99'		
2	INSULATOR	DELIRIN	NATURAL	1	B7310-2-50-C		C	02-04-99'		
1	BODY	NOTE 1	NOTE 3	1	B7310-1	C	02-04-99'	DRAWING NO.	KJ-B6351B1-ND3G-50	
NO.	DESCRIPTION	MATERIAL	FINISH	Q'TY	DRAWING NO.	SCALE 2.5/1	ISSUE	B	DATE	FILE NO. F:\DWG\B\6351B1\50\N03G

8025719