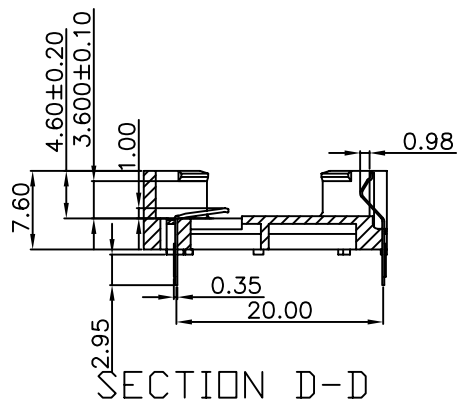
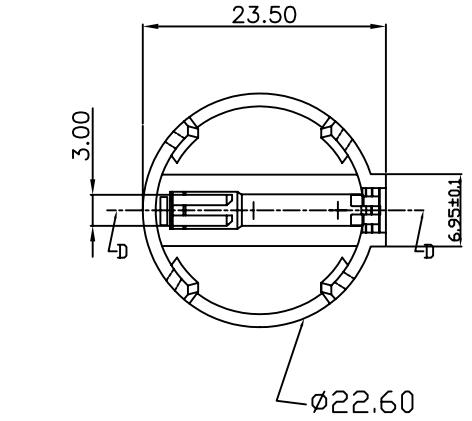


PCB HOLE LAYOUT

HOUSING: NYLON 66+G.F. UL94V-0
 CONTACT: PHOSPHOR BRONZE
 FINISH: TIN PLATED OVER NICKEL
 Applicable: Battery CR2032



GS251 - 02 1 X

BATTERY DIM
02: 2032

COLOR:
1: BLACK

PLATING
1: Sn/Pb 90/10 100u" MIN
OVER 50U" MIN NICKEL
G: RoHS

UNIT: mm

			NOTES		Top Willing Co., Ltd.	
			CUSTOMER DRAWING			
		12/29/008	General Tolerances: Angle: ±2°		Date: 09/19/006	Sheet 1 of 1
A	RELEASE	09/19/006	Dim: 0.0 ±0.25 0.00 ±0.20 0.000 ±0.10		DWG. NO: GS251-021X	REV: A
REV	Revision Record	Date	Drawn by	Chk'd by	Title: BATTERY HOLDER	
Revise Only On Cad System			App'd by	Scale 1 : 1		