

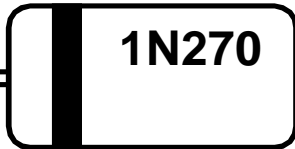
Distributed by:



www.Jameco.com ♦ 1-800-831-4242

The content and copyrights of the attached material are the property of its owner.

Gold Bonded



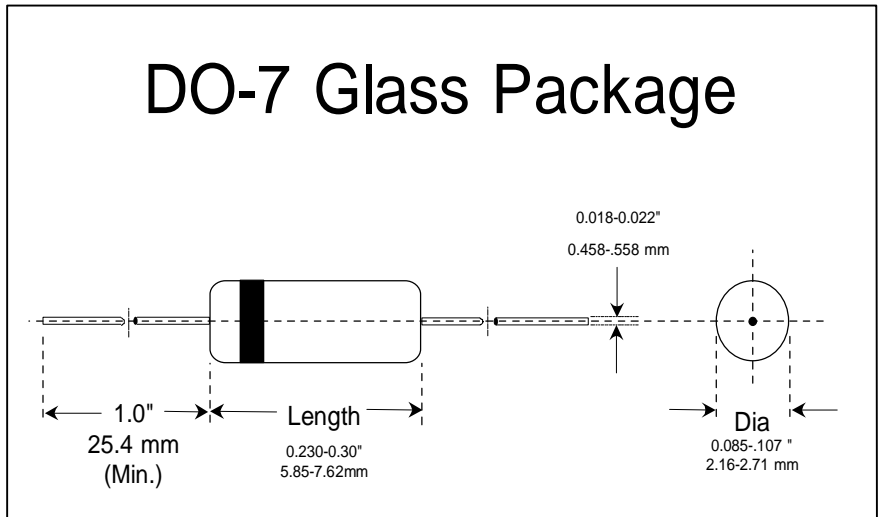
Germanium Diodes

Optimized for Radio Frequency Response

Can be used in many AM, FM and TV-IF applications, replacing point contact devices.

Applications

- AM/FM detectors
- Ratio detectors
- FM discriminators
- TV audio detectors
- RF input probes
- TV video detectors



Features

- Lower leakage current
- Flat junction capacitance
- High mechanical strength
- At least 1 million hours MTBF
- BKC's Sigma-Bond™ plating for problem free solderability

Absolute Maximum Ratings at $T_{amb} = 25\text{ }^{\circ}\text{C}$

Parameter	Symbols	Min.	Max.	Units
Peak Inverse Voltage	PIV	**	100	Volts
Surge Current , t = 1 Second	I_{FSM}		0.5	Amps
Average Rectified Forward Current	I_o		40	mA
Peak Operating Current	I_{OS}		325	mA
Operating and Storage Temperatures	$T_{J\&STG}$	-65	+90	$^{\circ}\text{C}$

Electrical Characteristics at $T_{amb} = 25\text{ }^{\circ}\text{C}$

Parameter	Test Conditions	Symbols	Min.	Typ.	Max.	Units
Forward Voltage Drop	$I_F = 200\text{ mA}$	V_F			1.00	Volts
Breakdown Voltage @ $I_R = 1.0\text{ mA}$		PIV	100			Volts
Reverse Leakage	$V_R = 50\text{ Volts}$	I_R		**	100	μA
Junction Capacitance	$f = 1\text{MHz}, V_R = 1\text{ volt}$	C_J		0.8		pF

