

Distributed by:

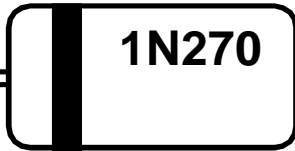
**JAMECO**<sup>®</sup>  
ELECTRONICS

**www.Jameco.com ♦ 1-800-831-4242**

The content and copyrights of the attached  
material are the property of its owner.

Jameco Part Number 35941MICROSEMI

Gold Bonded



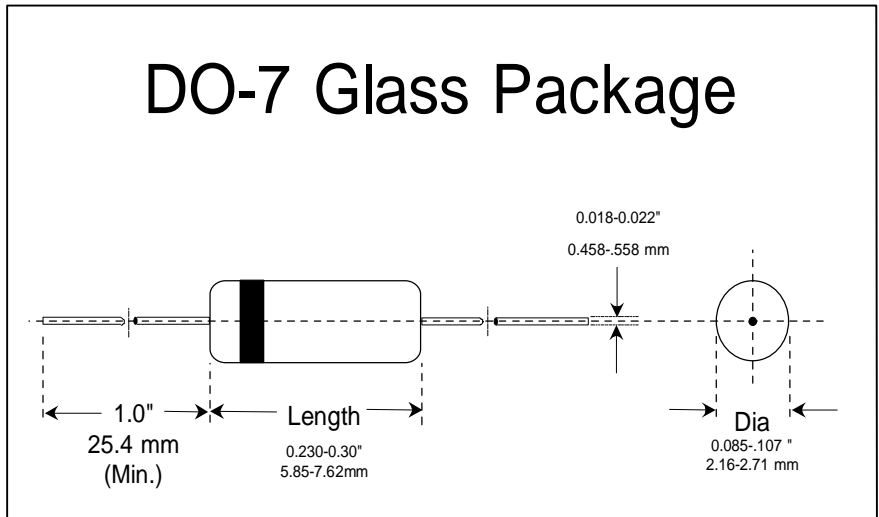
Germanium Diodes

Optimized for Radio Frequency Response

Can be used in many AM, FM and TV-IF applications, replacing point contact devices.

Applications

- AM/FM detectors
- Ratio detectors
- FM discriminators
- TV audio detectors
- RF input probes
- TV video detectors



Features

- Lower leakage current
- Flat junction capacitance
- High mechanical strength
- At least 1 million hours MTBF
- BKC's Sigma-Bond™ plating for problem free solderability

Absolute Maximum Ratings at T<sub>amb</sub> = 25 °C

Parameter	Symbols	Min.	Max.	Units
Peak Inverse Voltage	PIV	**	100	Volts
Surge Current , t = 1 Second	I <sub>FSM</sub>		0.5	Amps
Average Rectified Forward Current	I <sub>O</sub>		40	mA
Peak Operating Current	I <sub>OS</sub>		325	mA
Operating and Storage Temperatures	T <sub>J&amp;STG</sub>	-65	+90	°C

Electrical Characteristics at T<sub>amb</sub> = 25 °C

Parameter	Test Conditions	Symbols	Min.	Typ.	Max.	Units
Forward Voltage Drop	I <sub>F</sub> = 200 mA	V <sub>F</sub>			1.00	Volts
Breakdown Voltage @ I <sub>R</sub> = 1.0 mA		PIV	100			Volts
Reverse Leakage	V <sub>R</sub> = 50 Volts	I <sub>R</sub>		**	100	µA
Junction Capacitance	f = 1MHz, V <sub>R</sub> = 1 volt	C <sub>J</sub>		0.8		pF



6 Lake Street - Lawrence, MA 01841

Tel: 978-681-0392 - Fax: 978-681-9135