

Distributed by:

**JAMECO**<sup>®</sup>  
ELECTRONICS

**www.Jameco.com** ♦ **1-800-831-4242**

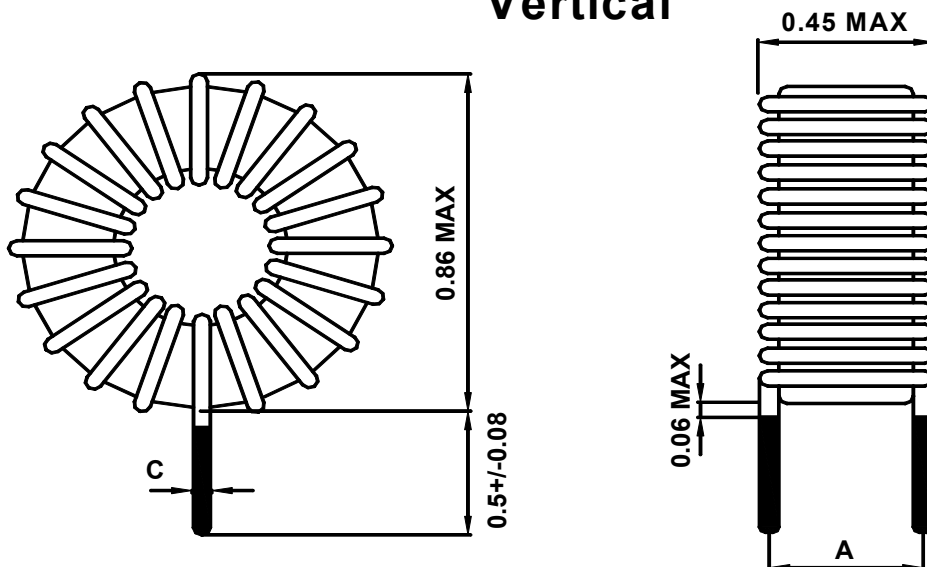
The content and copyrights of the attached  
material are the property of its owner.

# SPECIFICATION FOR APPROVAL

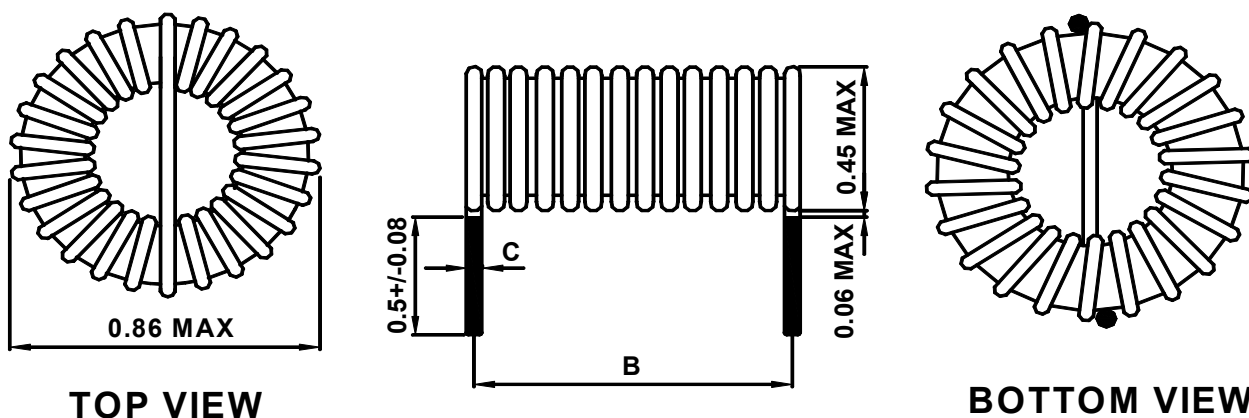
<b>CUSTOMER:</b>	<b>PART NO: 2100 Series</b>		
<b>DESCRIPTION: High Current Toroid Inductors</b>	<b>CUSTOMER REV:</b>	<b>OUR REV: A</b>	<b>DATE: 2005/03/21</b>

## 1. CONFIGURATION&DIMENSIONS(UNIT: INCH )

### Vertical



### Horizontal



APPROVED BY: ZHANG 05/03/21

CHECKED BY: GUO 05/03/21

DRAWN BY: ZHOU 05/03/21

# SPECIFICATION FOR APPROVAL

<b>CUSTOMER:</b>	<b>PART NO:</b> 2100 Series		
<b>DESCRIPTION:</b> High Current Toroid Inductors	<b>CUSTOMER REV:</b>	<b>OUR REV:</b> A	<b>DATE:</b> 2005/03/21

## 2. SPECIAL FEATURES

- DC-DC converter,EMI filter applications
- Low radiation
- Low core loss
- High current capacity
- Horizontal or vertical mount
- Low cost
- Operating temperature -55 to +105°C
- Current to cause 30°C maximum temperature rise

### 2200 Series

Part Number	L(uH) +15% @1KHZ	Idc (A)	L(uH) +15% @I rated	DCR (Ω) MAX	Dim A Nom	Dim B Nom	Dim C Nom
2101-	10	10.8	6.3	0.006	0.34	0.77	0.053
2102-	12	10.3	7.4	0.007	0.34	0.77	0.053
2103-	15	7.7	10.2	0.012	0.33	0.76	0.042
2104-	18	7.4	11.9	0.013	0.33	0.76	0.042
2105-	22	7.0	14.2	0.015	0.33	0.76	0.042
2106-	27	5.3	19.1	0.026	0.32	0.75	0.034
2107-	33	5.0	22.8	0.029	0.32	0.75	0.034
2108-	39	4.8	26.4	0.032	0.32	0.75	0.034
2109-	47	3.6	34.7	0.055	0.31	0.75	0.027
2110-	56	3.4	40.6	0.060	0.31	0.75	0.027
2111-	68	3.3	48.3	0.067	0.31	0.75	0.027
2112-	100	2.4	75.2	0.13	0.31	0.74	0.022
2113-	120	2.2	88.5	0.15	0.31	0.74	0.022
2114-	150	3.4	84.3	0.062	0.35	0.79	0.034
2115-	180	2.6	113.1	0.11	0.34	0.77	0.027
2116-	220	2.4	134.4	0.12	0.34	0.77	0.027
2117-	270	1.8	181.6	0.21	0.33	0.76	0.022
2118-	330	1.7	216.3	0.23	0.33	0.76	0.022
2119-	390	1.7	250.1	0.25	0.33	0.76	0.022
2120-	470	1.6	293.8	0.28	0.35	0.76	0.022
2121-	560	1.5	341.5	0.30	0.35	0.79	0.022
2122-	680	1.4	403.2	0.33	0.35	0.79	0.022
2123-	820	1.4	472.8	0.37	0.35	0.79	0.022
2124-	1000	1.3	559.2	0.40	0.37	0.81	0.022

**APPROVED BY:** ZHANG 05/03/21     
 **CHECKED BY:** GUO 05/03/21     
 **DRAWN BY:** ZHOU 05/03/21

# SPECIFICATION FOR APPROVAL

<b>CUSTOMER:</b>	<b>PART NO: 2100 Series</b>		
<b>DESCRIPTION: High Current Toroid Inductors</b>	<b>CUSTOMER REV:</b>	<b>OUR REV: A</b>	<b>DATE: 2005/03/21</b>

### 3. MATERIAL LIST

NO	Item	Material	SUPPLIER	U.L. NO.	REMARKS
1	FERRITE CORE	TC68-26A	CORE TECHNOLOGY		√
2	MAGNET WIRE	POYURE THANE ENAMELIED COPPER WIRE 2UEW 130	PACIFIC ELECTRIC&CABLE CO.,LTD	E84081(S)	√
			JUNG SHING WIRE CO.,LTD.	E174837(S)	√
			TA YA ELECTRIC WIRE & CABLE CO.,LTD	E84201(S)	√
3	VARNISH	BC-359	JOHN C DOLPH CO.,LTD.	E51047(S)	√

**APPROVED BY: ZHANG 05/03/21**     
 **CHECKED BY: GUO 05/03/21**     
 **DRAWN BY: ZHOU 05/03/21**