

Distributed by:

JAMECO[®]
ELECTRONICS

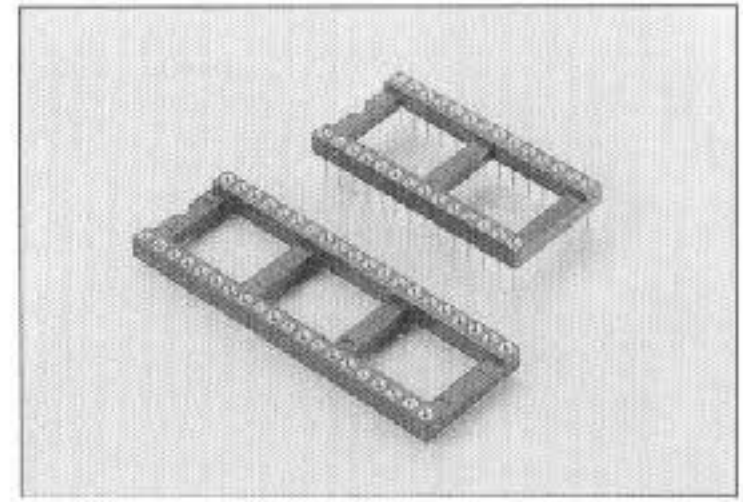
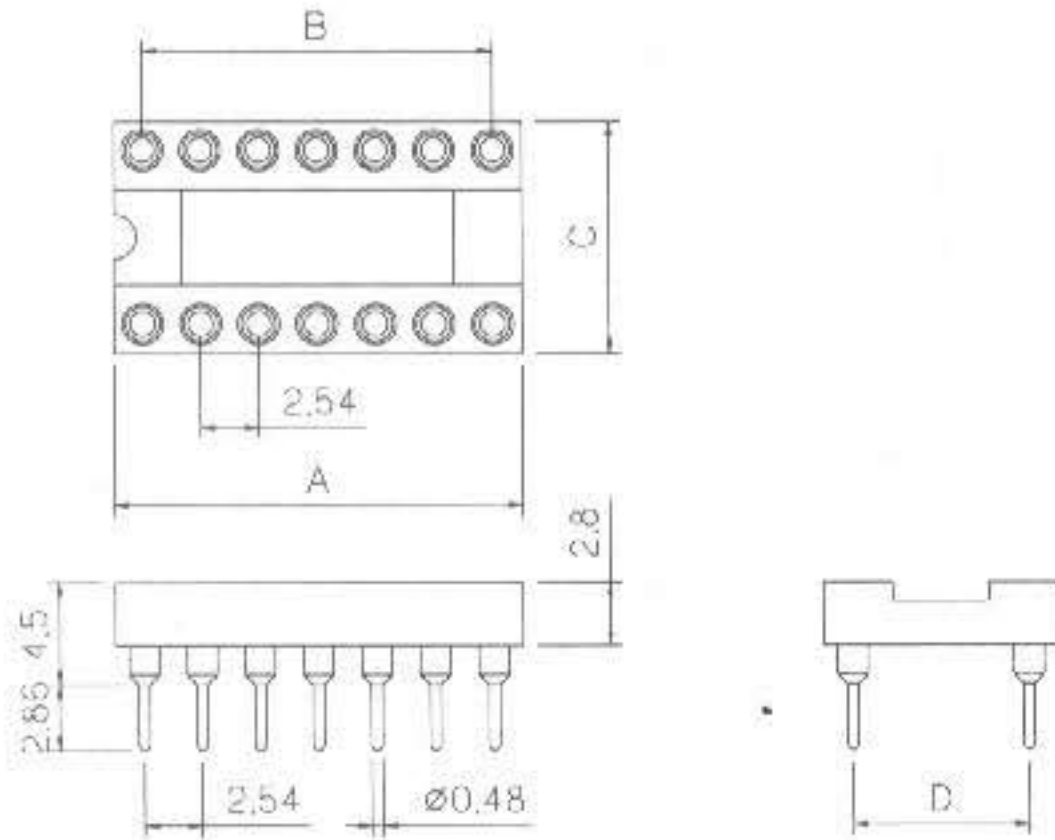
www.Jameco.com ♦ 1-800-831-4242

The content and copyrights of the attached
material are the property of its owner.

Jameco Part Number 37411

6100 Series

IC Socket 2.54mm (0.100")



Dimensions

Positions	A	B	C	D
6	7.62	5.08	10.16	7.62
8	10.16	7.62	10.16	
14	17.78	15.24	10.16	
16	20.32	17.78	10.16	
18	22.86	20.32	10.16	
20	25.40	22.86	10.16	
24	30.48	27.94	10.16	
28	35.56	33.02	10.16	

Dimensions

Positions	A	B	C	D
24	30.48	27.94	17.78	15.24
28	35.56	33.02	17.78	
32	40.64	38.10	17.78	
40	50.80	48.26	17.78	

Product Specification

Material

Insulator: Glass-Filled Thermoplastic
UL 94V-0 rates, Color-Black

Contact: Brass or Phosphor Bronze
Plated full gold or selected gold in mating area, 100u" min. tin-lead on termination area, with entire contact under-plated 50u" min. Nickel

Electrical

Contact Resistance: 30 milchms
Max at 1 AMP DC.

Insulation Resistance: 1000
megohms at 500 VDC

Dielectric Withstanding Voltage:
500 VAC/rms 60Hz for 1 minute

Current Rating: 1 AMP

Volatge Rating: 250 VAC/rms
60Hz

Ordering Information

