

Distributed by:

JAMECO[®]
ELECTRONICS

www.Jameco.com ♦ 1-800-831-4242

The content and copyrights of the attached material are the property of its owner.

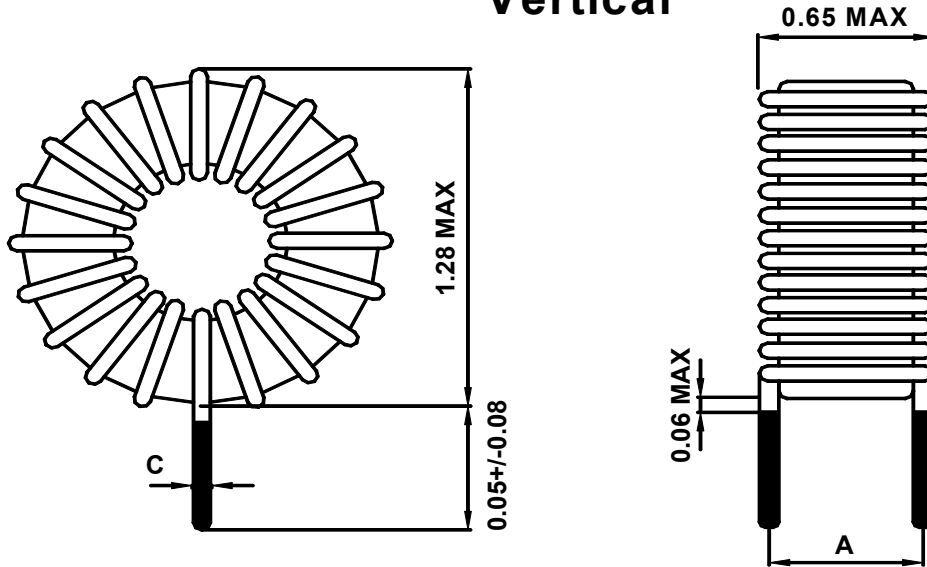
Jameco Part Number 387268 (2316-V)

SPECIFICATION FOR APPROVAL

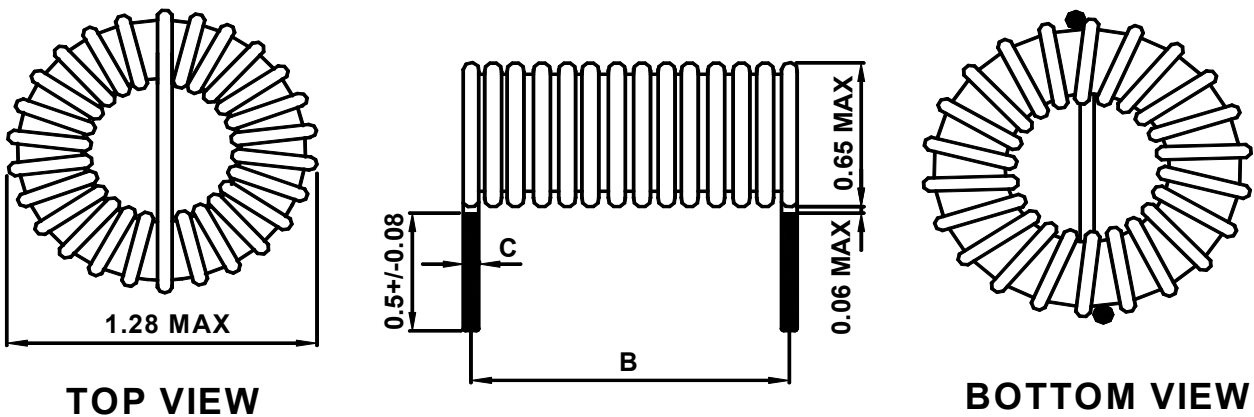
CUSTOMER:	PART NO: 2300 Series		
DESCRIPTION: High Current Toroid Inductors	CUSTOMER REV:	OUR REV: A	DATE: 2005/03/21

1. CONFIGURATION&DIMENSIONS(UNIT: INCH)

Vertical



Horizontal



APPROVED BY: ZHANG 05/03/21

CHECKED BY: GUO 05/03/21

DRAWN BY: ZHOU 05/03/21

SPECIFICATION FOR APPROVAL

CUSTOMER:	PART NO: 2300 Series		
DESCRIPTION: High Current Toroid Inductors	CUSTOMER REV:	OUR REV: A	DATE: 2005/03/21

2. SPECIAL FEATURES

- DC-DC converter,EMI filter applications
- Low radiation
- Low core loss
- High current capacity
- Horizontal or vertical mount
- Low cost
- Operating temperature -55 to +105°C
- Current to cause 30°C maximum temperature rise

2300 Series

Part Number	L(uH) +15% @1KHZ	Idc (A)	L(uH) +15% @ I rated	DCR (Ω) MAX	Dim A Nom	Dim B Nom	Dim C Nom
2301-	10	20.0	6.7	0.005	0.56	1.18	0.066
2302-	12	19.1	7.8	0.005	0.56	1.18	0.066
2303-	15	18.0	9.5	0.006	0.56	1.18	0.066
2304-	18	17.2	11.1	0.006	0.56	1.18	0.066
2305-	22	16.4	13.2	0.007	0.56	1.18	0.066
2306-	27	15.6	15.7	0.008	0.56	1.18	0.066
2307-	33	11.7	21.3	0.013	0.53	1.14	0.053
2308-	39	11.2	24.7	0.014	0.53	1.14	0.053
2309-	47	10.7	29.0	0.016	0.53	1.14	0.053
2310-	56	10.2	33.7	0.017	0.53	1.14	0.053
2311-	68	7.7	45.2	0.030	0.52	1.13	0.042
2312-	100	7.0	63.1	0.037	0.52	1.13	0.042
2313-	120	6.7	73.9	0.040	0.52	1.13	0.042
2314-	150	5.0	101.4	0.071	0.51	1.12	0.034
2315-	180	4.8	118.9	0.078	0.51	1.12	0.034
2316-	220	5.8	123.8	0.054	0.56	1.17	0.042
2317-	270	5.5	147.2	0.060	0.56	1.17	0.042
2318-	330	5.2	174.1	0.067	0.56	1.17	0.042
2319-	390	5.0	200.2	0.072	0.56	1.17	0.042
2320-	470	3.8	271.4	0.13	0.54	1.16	0.034
2321-	560	3.6	314.8	0.14	0.54	1.16	0.034
2322-	680	3.4	370.7	0.15	0.54	1.16	0.034
2323-	820	2.6	500.9	0.27	0.53	1.14	0.027
2324-	1000	2.4	593.6	0.30	0.53	1.14	0.027

APPROVED BY: ZHANG 05/03/21
 CHECKED BY: GUO 05/03/21
 DRAWN BY: ZHOU 05/03/21

SPECIFICATION FOR APPROVAL

CUSTOMER:	PART NO: 2300 Series		
DESCRIPTION: High Current Toroid Inductors	CUSTOMER REV:	OUR REV: A	DATE: 2005/03/21

3. MATERIAL LIST

NO	Item	Material	SUPPLIER	U.L. NO.	REMARKS
1	FERRITE CORE	TC106-26	CORE TECHNOLOGY		√
2	MAGNET WIRE	POYURE THANE ENAMELIED COPPER WIRE 2UEW 130	PACIFIC ELECTRIC&CABLE CO.,LTD.	E84081(S)	√
			JUNG SHING WIRE CO.,LTD.	E174837(S)	√
			TA YA ELECTRIC WIRE & CABLE CO.,LTD.	E84201(S)	√
3	VARNISH	BC-359	JOHN C DOLPH CO.,LTD.	E51047(S)	√

APPROVED BY: ZHANG 05/03/21
 CHECKED BY: GUO 05/03/21
 DRAWN BY: ZHOU 05/03/21