

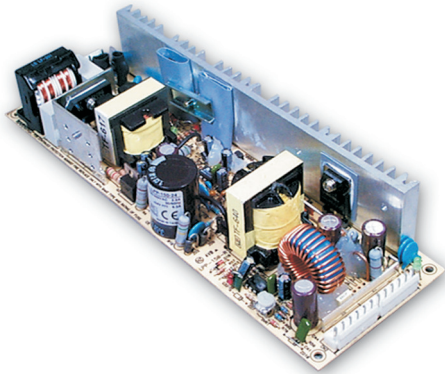
Distributed by:

**JAMECO**<sup>®</sup>  
ELECTRONICS

**www.Jameco.com ♦ 1-800-831-4242**

The content and copyrights of the attached  
material are the property of its owner.

Jameco Part Number 392771



■ Features :

- Universal AC input / Full range
- Built-in active PFC function, PF>0.96
- Protections: Short circuit / Overload / Over voltage
- Protections:Over temperature(option)
- Cooling by free air convection
- 100% full load burn-in test
- Fixed switching frequency at PFC:67KHz PWM:134KHz
- 3 years warranty

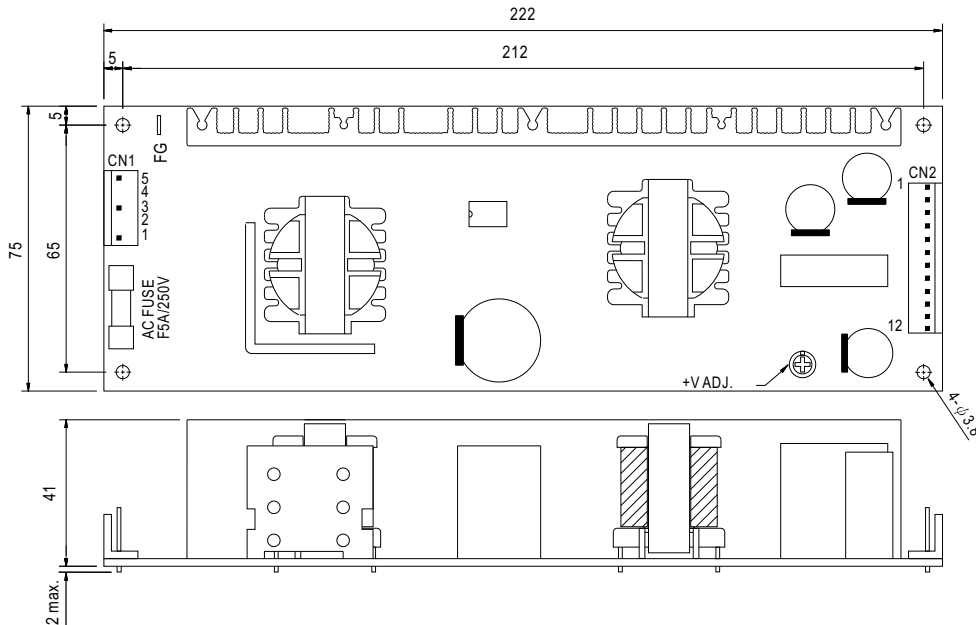


SPECIFICATION

MODEL	LPP-150-3.3	LPP-150-5	LPP-150-7.5	LPP-150-12	LPP-150-13.5	LPP-150-15	LPP-150-24	LPP-150-27	LPP-150-48	
OUTPUT	DC VOLTAGE	3.3V	5V	7.5V	12V	13.5V	15V	24V	27V	48V
	RATED CURRENT	30A	30A	20A	12.5A	11.2A	10A	6.3A	5.6A	3.2A
	CURRENT RANGE	0 ~ 30A	0 ~ 30A	0 ~ 20A	0 ~ 12.5A	0 ~ 11.2A	0 ~ 10A	0 ~ 6.3A	0 ~ 5.6A	0 ~ 3.2A
	RATED POWER	99W	150W	150W	150W	151.2W	150W	150W	151.2W	153.6W
	RIPPLE & NOISE (max.) Note.2	100mVp-p	100mVp-p	100mVp-p	100mVp-p	100mVp-p	100mVp-p	150mVp-p	150mVp-p	250mVp-p
	VOLTAGE ADJ. RANGE	3.14 ~ 3.63V	4.75 ~ 5.5V	7.13 ~ 8.25V	11.4 ~ 13.2V	12.8 ~ 14.9V	14.3 ~ 16.5V	22.8 ~ 26.4V	25.7 ~ 29.7V	45.6 ~ 52.8V
	VOLTAGE TOLERANCE Note.3	±2.0%	±2.0%	±2.0%	±2.0%	±2.0%	±2.0%	±1.0%	±1.0%	±1.0%
	LINE REGULATION	±0.5%	±0.5%	±0.5%	±0.5%	±0.5%	±0.5%	±0.5%	±0.5%	±0.5%
	LOAD REGULATION	±1.0%	±1.0%	±1.0%	±1.0%	±1.0%	±1.0%	±0.5%	±0.5%	±0.5%
	SETUP, RISE TIME	600ms, 30ms at full load								
HOLD UP TIME (Typ.)	30ms at full load									
INPUT	VOLTAGE RANGE	85 ~ 264VAC		120 ~ 370VDC						
	FREQUENCY RANGE	47 ~ 63Hz								
	POWER FACTOR	PF ≥ 0.96/230VAC		PF ≥ 0.98/115VAC at full load						
	EFFICIENCY(Typ.)	66%	72%	76%	79%	80%	80%	83%	83%	83%
	AC CURRENT (Typ.)	2.5A/115VAC		1.2A/230VAC						
	INRUSH CURRENT (Typ.)	COLD START 40A/230VAC								
	LEAKAGE CURRENT	<3.5mA / 240VAC								
PROTECTION	OVERLOAD	105 ~ 150% rated output power Protection type : Constant current limiting, recovers automatically after fault condition is removed								
	OVER VOLTAGE	3.63 ~ 4.45V	5.5 ~ 6.75V	8.25 ~ 10.1V	13.2 ~ 16.2V	14.85 ~ 18.2V	16.5 ~ 20.25V	26.4 ~ 32.4V	29.7 ~ 36.5V	52.8 ~ 64.8V
ENVIRONMENT	WORKING TEMP.	-10 ~ +60°C with cooling FAN(Refer to output load derating curve)								
	WORKING HUMIDITY	20 ~ 90% RH non-condensing								
	STORAGE TEMP., HUMIDITY	-20 ~ +85°C, 10 ~ 95% RH								
	TEMP. COEFFICIENT	±0.05%/°C (0 ~ 50°C)								
	VIBRATION	10 ~ 500Hz, 2G 10min./1cycle, period for 60min. each along X, Y, Z axes								
SAFETY & EMC (Note 4)	SAFETY STANDARDS	UL60950-1, TUV EN60950-1 approved								
	WITHSTAND VOLTAGE	I/P-O/P:3KVAC		I/P-FG:1.5KVAC		O/P-FG:0.5KVAC				
	ISOLATION RESISTANCE	I/P-O/P, I/P-FG, O/P-FG:100M Ohms/500VDC								
	EMI CONDUCTION & RADIATION	Compliance to EN55022 (CISPR22) Class B								
	HARMONIC CURRENT	Compliance to EN61000-3-2,-3								
OTHERS	EMS IMMUNITY	Compliance to EN61000-4-2,3,4,5,6,8,11; ENV50204, light industry level, criteria A								
	MTBF	191.8Khrs min. MIL-HDBK-217F (25°C)								
	DIMENSION	222*75*41mm (L*W*H)								
NOTE	PACKING	0.62Kg; 24pcs/16.6Kg/1.39CUFT								
		1. All parameters NOT specially mentioned are measured at 230VAC input, rated load and 25°C of ambient temperature. 2. Ripple & noise are measured at 20MHz of bandwidth by using a 12" twisted pair-wire terminated with a 0.1uf & 47uf parallel capacitor. 3. Tolerance : includes set up tolerance, line regulation and load regulation. 4. The power supply is considered a component which will be installed into a final equipment. The final equipment must be re-confirmed that it still meets EMC directives.								

**Mechanical Specification**

Unit:mm



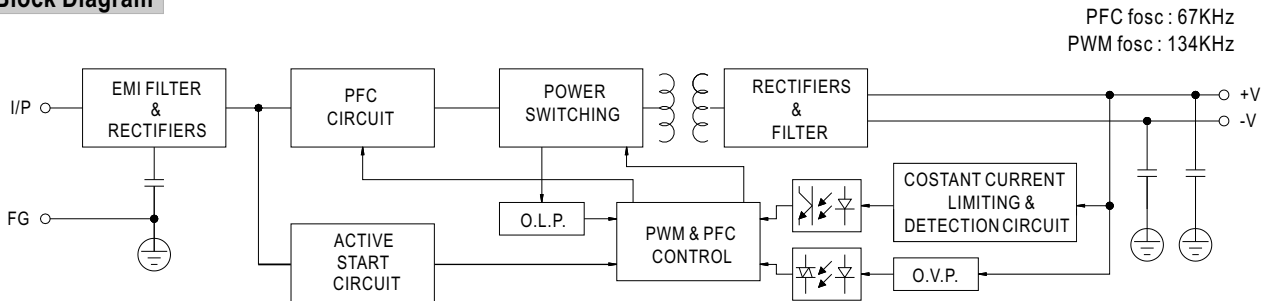
AC Input Connector (CN1) : JST B5P-VH or equivalent

Pin No.	Assignment	Mating Housing	Terminal
1	AC/L	JST VHR or equivalent	JST SVH-21T-P1.1 or equivalent
2,4	No Pin		
3	AC/N		
5	FG		

DC Output Connector (CN2) : JST B6P-VH\*2 or equivalent

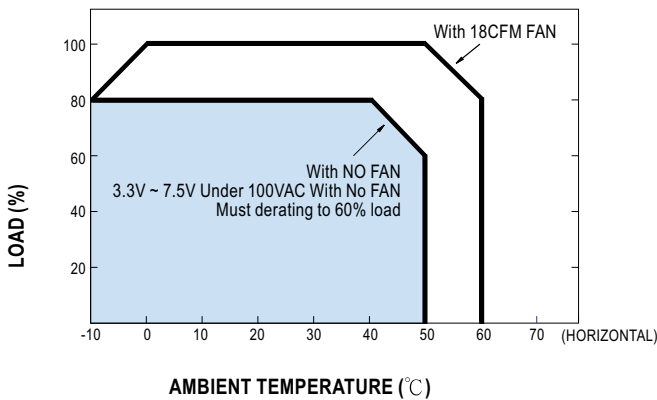
Pin No.	Assignment	Mating Housing	Terminal
1~6	-V	JST VHR or equivalent	JST SVH-21T-P1.1 or equivalent
7~12	+V		

**Block Diagram**

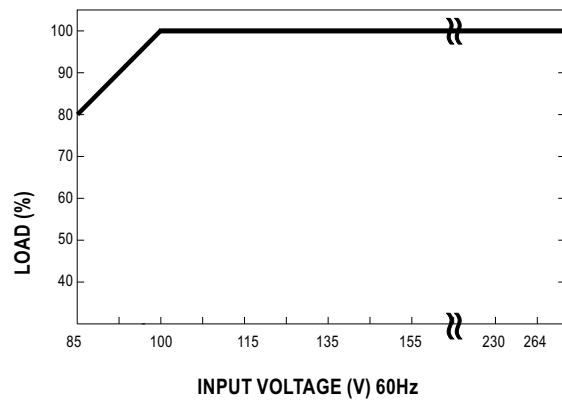


PFC fosc : 67KHz  
PWM fosc : 134KHz

**Derating Curve**



**Output Derating VS Input Voltage**





NO	TEST ITEM	TEST CONDITION / SPECIFICATION	RESULT	VERDICT
8	O/P VOLTAGE ADJ.RANGE	I/P:230VAC O/P:MIN. LOAD SPEC: +10%~-5% A:3.1V~3.6V B:4.7V~5.5V C:7.12V~8.25V D:11.4V~13.2V E:12.8 V~14.8V F:14.2V~16.5V G:22.8V~26.4V H:25.6V~29.7V I:45.6V~52.8V	A:3.07V~3.79V B:4.4V~5.87V C:6.40V~8.96V D:10.23V~13.7V E:10.6V~14.88V F:12.7V~17.4V G:19.7V~27.5V H:20.3V~30.1V I:40.6V~54.8V	P
9	SET UP TIME	I/P:230VAC O/P:FULL LOAD SPEC:600ms	B:233mS	P
10	HOLD UP TIME	I/P:230VAC O/P:FULL LOAD SPEC:20mS	B:35.9mS	P
11	EFFICIENCY	I/P:230VAC O/P: FULL LOAD SPEC: A:66% B:72% C:76% D:79% E:80% F:80% G:83% H:83% I:83%	A: 67.75% B: 73.59% C: 79.0% D: 79.5% E: 81.5% F: 81.2% G: 83.2% H: 83.1% I: 84.8%	P
12	OVER LOAD PROTECTION	I/P:230VAC O/P:TESTING SPEC:105%~150%	A: 128% B: 130% C: 133% D: 121% E: 111% F: 136% G: 132% H: 120% I: 134%	P
13	OVER VOLTAGE PROTECTION	I/P:230VAC O/P: TESTING SPEC:110%~135% A:3.63~4.45 V B:5.5~6.75V C:8.25~10.12V D:13.2~16.2V E:14.8~18.2V F:16.5~20.2V G:26.4~32.4V H:29.7~36.4V I:52.8~64.8V	A: 4.09V B: 6.17V C: 9.00V D: 14.8V E: 17.8V F: 18.2V G: 30.0V H: 33.1V I: 56.0V	P
14	GROUND LEAKAGE CURRENT	I/P:240VAC SPEC: L-FG--<3.5mA N-FG--<3.5mA	B: L-FG:0.64mA N-FG:0.42mA	P
15	GROUNDING CONTINUITY	SPEC: FG--CHASSIS<0.1Ohms/2min	I: -----	N
16	INSULATION RESISTANCE	SPEC: O/P-FG 500VDC / 100MOhms MIN. I/P-O/P 500VDC / 100MOhms MIN. I/P-FG 500VDC / 100MOhms MIN.	B: O/P-FG >100MOhms I/P-O/P >100MOhms I/P-FG >100MOhms	P

NO	TEST ITEM	TEST CONDITION / SPECIFICATION	RESULT	VERDICT																																																												
17	DIELECTRIC / WITHSTAND VOLTAGE	SPEC : I/P- O/P : 3KVAC/ 60 sec (10mA CUT-OFF) I/P - FG : 1.5KVAC/60 sec (10mA CUT-OFF) O/P - FG : 0.5KVAC/60sec (10mA CUT-OFF)	B: I/P-O/P: 0.003mA I/P-FG: 3.57mA O/P- FG: 1.55mA	P																																																												
18	BURN-IN TEST	I/P: 230VAC O/P:FULL LOAD with cooling FAN TA:24.0°C BURN-IN DURATION : 2.5 hrs	I: NON BREAK	P																																																												
19	ENVIRONMENT TEST	1.LOW TEMPERATURE TEST I/P : 230 VAC O/P : 80% LOAD AMBIENT TEMPERATURE : -9.5°C	I : AFTER 3.05 hrs POWER ON OK	P																																																												
		2.HIGH AMBIENT TEMPERATURE FULL LOAD TEST I/P : 230VAC O/P : FULL LOAD AMBIENT TEMPERATURE : 54.2°C with cooling FAN	I : AFTER 14 hrs NON BREAK																																																													
		3.HIGH HUMIDITY HIGH VOLTAGE ON/OFF TEST I/P : 272VAC O/P : FULL LOAD AMBIENT TEMPERATURE : 25°C AMBIENT HUMIDITY : 95%	I : AFTER 14 hrs POWER ON/OFF BREAK																																																													
20	TEMPERATURE RISE TEST Trise OF PARTS	I: I/P : 230VAC O/P : FULL LOAD AFTER 2.5 hrs BURN-IN TA : 24.0°C with cooling FAN		P																																																												
		<table border="1"> <thead> <tr> <th></th> <th>POSITION</th> <th>P/N</th> <th>TEMP</th> <th>Trise</th> </tr> </thead> <tbody> <tr> <td></td> <td>BD1</td> <td>BRIDGE DIODE</td> <td>41.5°C</td> <td>17.5°C</td> </tr> <tr> <td></td> <td>Q2</td> <td>MAIN TRANSISTOR</td> <td>33.0°C</td> <td>9°C</td> </tr> <tr> <td></td> <td>Q1</td> <td>PFC TRANSISTOR</td> <td>37.5°C</td> <td>13.5°C</td> </tr> <tr> <td></td> <td>T1</td> <td>MAIN TRANSFORMER COIL</td> <td>32.1°C</td> <td>8.1°C</td> </tr> <tr> <td></td> <td>T1</td> <td>MAIN TRANSFORMER CORE</td> <td>32.2°C</td> <td>8.2°C</td> </tr> <tr> <td></td> <td>D11</td> <td>O/P DIODE</td> <td>36.6°C</td> <td>12.6°C</td> </tr> <tr> <td></td> <td>C42</td> <td>O/P FILTER CAPACITOR</td> <td>35°C</td> <td>11°C</td> </tr> <tr> <td></td> <td>L2</td> <td>O/P CHOCK</td> <td>27.4°C</td> <td>3.4°C</td> </tr> <tr> <td></td> <td>C5</td> <td>I/P FILTER CAPACITOR</td> <td>25.7°C</td> <td>1.7°C</td> </tr> <tr> <td></td> <td>LF1</td> <td>LINE FILTER COIL</td> <td>26.3°C</td> <td>2.3°C</td> </tr> <tr> <td></td> <td>D2</td> <td>PFC DIODE</td> <td>39.4°C</td> <td>15.4°C</td> </tr> </tbody> </table>		POSITION	P/N	TEMP	Trise		BD1	BRIDGE DIODE	41.5°C	17.5°C		Q2	MAIN TRANSISTOR	33.0°C	9°C		Q1	PFC TRANSISTOR	37.5°C	13.5°C		T1	MAIN TRANSFORMER COIL	32.1°C	8.1°C		T1	MAIN TRANSFORMER CORE	32.2°C	8.2°C		D11	O/P DIODE	36.6°C	12.6°C		C42	O/P FILTER CAPACITOR	35°C	11°C		L2	O/P CHOCK	27.4°C	3.4°C		C5	I/P FILTER CAPACITOR	25.7°C	1.7°C		LF1	LINE FILTER COIL	26.3°C	2.3°C		D2	PFC DIODE	39.4°C	15.4°C		
	POSITION	P/N	TEMP	Trise																																																												
	BD1	BRIDGE DIODE	41.5°C	17.5°C																																																												
	Q2	MAIN TRANSISTOR	33.0°C	9°C																																																												
	Q1	PFC TRANSISTOR	37.5°C	13.5°C																																																												
	T1	MAIN TRANSFORMER COIL	32.1°C	8.1°C																																																												
	T1	MAIN TRANSFORMER CORE	32.2°C	8.2°C																																																												
	D11	O/P DIODE	36.6°C	12.6°C																																																												
	C42	O/P FILTER CAPACITOR	35°C	11°C																																																												
	L2	O/P CHOCK	27.4°C	3.4°C																																																												
	C5	I/P FILTER CAPACITOR	25.7°C	1.7°C																																																												
	LF1	LINE FILTER COIL	26.3°C	2.3°C																																																												
	D2	PFC DIODE	39.4°C	15.4°C																																																												
21	LIFE CYCLE	SUPPOSE C42 IS THE MOST CRITICAL COMPONENT WITH COOLING FAN I/P : 230VAC O/P : FULL LOAD Ta : 25°C Tc42 : 35°C Life:785705hrs I/P : 230VAC O/P : FULL LOAD Ta : 50°C Tc42 : 57.7°C Life:162909hrs																																																														
22	CRITICAL COMPONENT RECORD ( FOR QC INSPECTION REFERENCE ONLY )	I: FUSE :4A/250V GFE/GNA BRIDGE DIODE : KBJ608J 6A/800V LINE FILTER :LF201 TRANSFOMER :TF-642 OUTPUT DIODE :C16P40F 16A/400V OUTPUT CAPACITOR :ELNA 220uF/63V 105°C RJH INPUT CAPACITOR :HITACHI 150uF/400V,85°C HP3/USC P.C.B :LPP-150 CEM-1 20Z SS																																																														

DATE	SAMPLE	TEST RESULT	TEST	APPROVAL
19990923	RD SAMPLE 5V,12V,24V,48V	PASS	C.C.CHEN	MAX LIN
20000112	PRDUCTION SAMPLE A001A21 3.3V,5V,7.5V 12V,13.5V,15V 24V,27V,48V	PASS	C.C.CHEN	Max Lin
20000313	PRDUCTION SAMPLE A003A07 12V,48V	PASS	VINCENT	Max Lin
20000326	PRDUCTION SAMPLE A003C07 13.5V	PASS	VINCENT	Max Lin
20000707	PRDUCTION SAMPLE A007A06 15V	PASS	VINCENT	Max Lin
20020108	PRDUCTION SAMPLE A201A19 5V	PASS	VINCENT	Max Lin