

Distributed by:

JAMECO[®]
ELECTRONICS

www.Jameco.com ♦ 1-800-831-4242

The content and copyrights of the attached
material are the property of its owner.

Jameco Part Number 400995

GM8 Plastic Geared Motor

Offset/inline output shaft

Ratio: 143:1



1-866-276-2687

www.solarbotics.com

GM8 with Default RM3 motor

Test Voltage (V)	Unloaded RPM	Unloaded Current (mA)	Stall Torque		Stall Current (mA)
			(gm*cm)	(oz*in)	
3	40	50	3200	44.44	400
6	78	52	5500	76.38	700
9	110	62	5700	79.16	1000
12	135	76	5850	81.24	1250

GM8 with Rev'ed up RM2 motor

Test Voltage (V)	Unloaded RPM	Unloaded Current (mA)	Stall Torque		Stall Current (A)
			(gm*cm)	(oz*in)	
3	145	350	5575	77.42	3.2
6	280	595	6000	83.32	4
9	Not Recommended	Not Recommended	Not Recommended	Not Recommended	Not Recommended
12	Not Recommended	Not Recommended	Not Recommended	Not Recommended	Not Recommended

GM8 with optional 12v motor

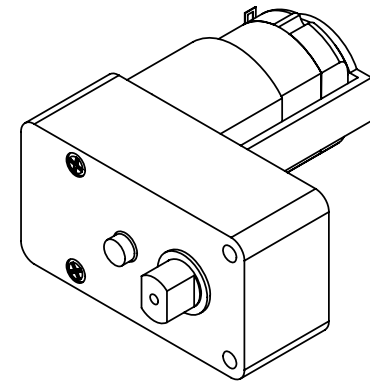
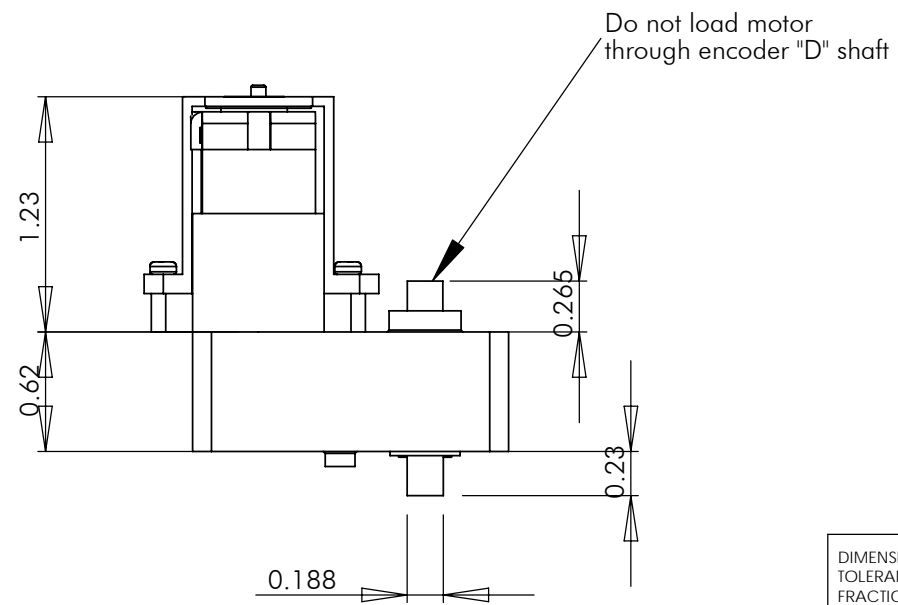
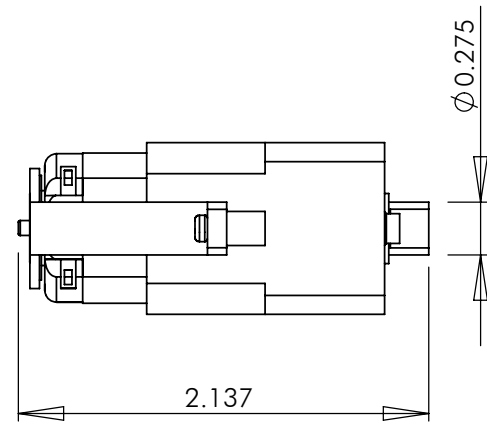
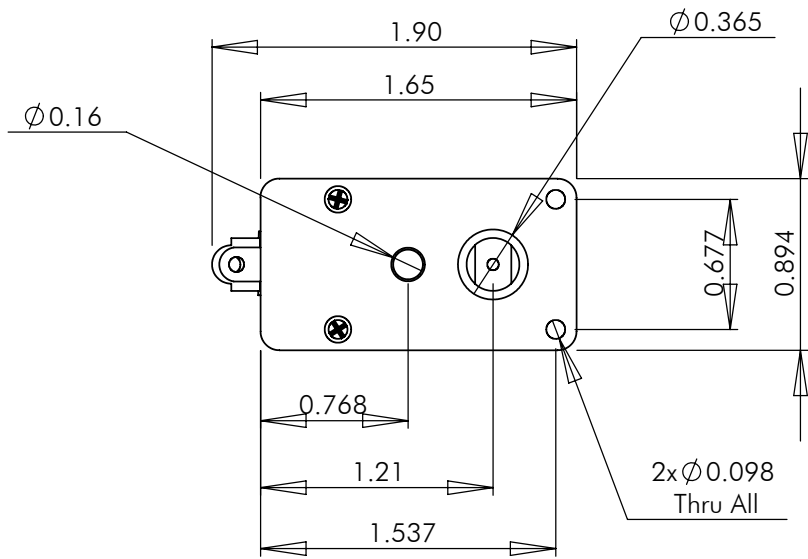
Test Voltage (V)	Unloaded RPM	Unloaded Current (mA)	Stall Torque		Stall Current (mA)
			(gm*cm)	(oz*in)	
3	20	45	4650	22.91	220
6	47	60	4300	59.72	400
9	70	65	5500	76.38	600
12	100	72	6000	83.32	800

SKU	Description	Gear Ratio	Unloaded RPM		Unloaded Current (mA)		Stall Current (mA)		Stall Torque (gm*cm)		Dimensions (mm)		
			3V	6V	3V	6V	3V	6V	3V	6V	Length	Width	Height
GM2	Offset/Inline	224:1	24	46	40	50	400	NA	3500	4100	55	48	23
GM3	90 Degree	224:1	24	46	40	50	400	NA	3500	4100	70	22.5	37
GM4	Servo Body	325:1	67	77	64	93	322	529	2529	3668	40.6	20	38
GM6	Mini Offset/Inline	120:1	64	157	64	97	326	563	972.1	1519.3	37	21	27
GM7	Mini 90 Degree	120:1	75	146	80	92	310	524	981	1712.4	53	13	19
GM8	Offset/Inline	143:1	40	78	50	52	400	700	3200	5500	55	48	23
GM9	90 Degree	143:1	40	78	50	52	400	700	3200	5500	70.5	27	23
GM10	Centering Pager Gearmotor	81:1	454	233	13	20	118	220	158.5	228.26	14.3	25.4	28.8
GM11a	Metal Gearhead	56.8:1	181	370	28	42	428	760	427	441	33.3	12	10
GM12a	Metal Gearhead	100:1	85	169	18	32	290	456	1120	1960	30	12	10
GM13a	Metal Gearhead	150:1	58	109	32	38	258	480	1344	2268	33	12	10
GM14a	Metal Gearhead	298:1	33.3	75	40	50	456	830	1638	3234	33	12	10
GM15	Pager Gear Motor	25:1	920	1550	100	200	210	350	35.28	69.33	20	6	6
GM17	Centered 3mm output shaft	228:1	15.9	32.4	16	24	250	440	237	423	51	27	37
GM18	Metal Gearhead	30:1	297	556	32	54	292	528	256.2	387.8	33.2	12	10
GM19	Metal Gearhead	35:1	385	706	112	176	1156	2128	541.8	674.8	34.8	15.3	15.6
GM20	Metal Gearhead	100:1	120	240	34	70	612	948	1526	2716	33.2	14	14
GM21	Metal Gearhead	360:1	11	23	38	42	360	692	3570	7434	47.6	15.5	15.5
GM22	Metal Gearhead	298:1	39	79	44	64	608	948	2884	3444	33.2	14	14



Solarbotics Ltd.
201 35th Ave NE
Calgary, AB T2E 2K5
Canada

North America Toll Free: 1-866-276-2687
Local / International: 1-403-232-6268
Fax: 1-403-226-3741
www.solarbotics.com



Note:
Dimensions may fluctuate
due to manufacturing
tolerances.

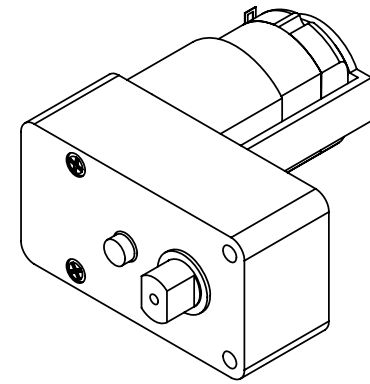
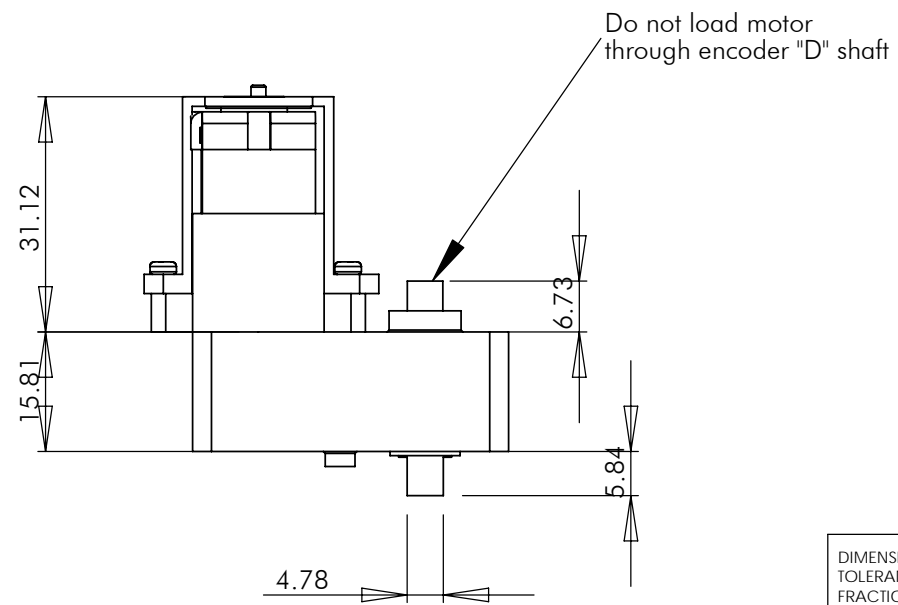
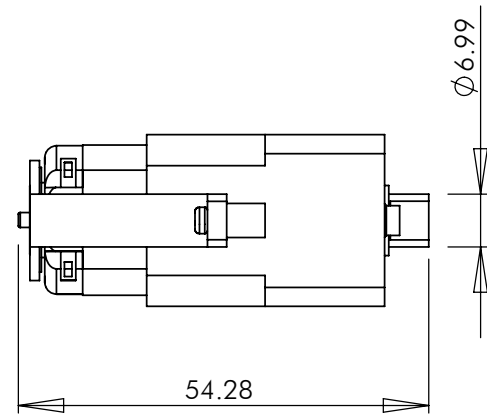
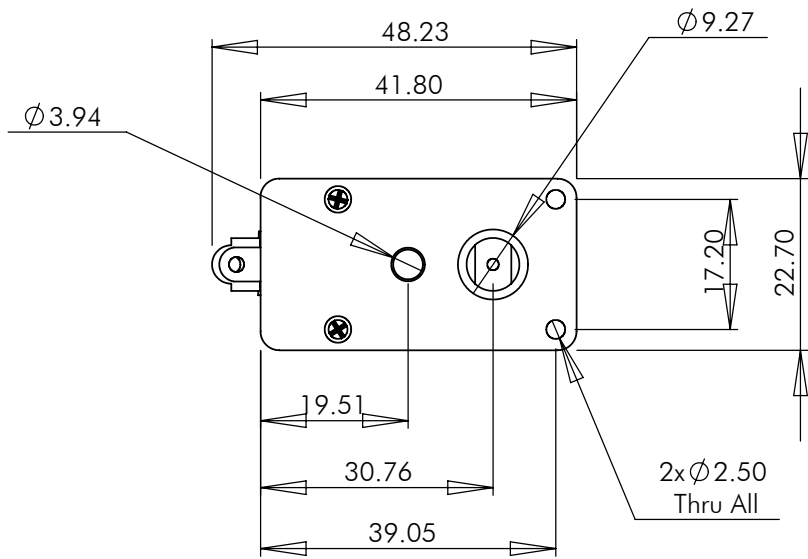
Rev. Date Revision Details

Rev.	Date	Revision Details

DIMENSIONS ARE IN INCHES TOLERANCES: FRACTIONAL $\pm 1/16"$ ANGULAR: MACH \pm BEND \pm TWO PLACE DECIMAL ± 0.02 THREE PLACE DECIMAL ± 0.005	DRAWN	DDG	DATE	Feb2306
	CHECKED			
	ENG APPR.			
	MFG APPR.			
	PRINTED	8/14/07		
MATERIAL	PROPRIETARY AND CONFIDENTIAL			
DO NOT SCALE DRAWING	THE INFORMATION CONTAINED IN THIS DRAWING IS THE SOLE PROPERTY OF SOLARBOTICS. ANY REPRODUCTION IN PART OR AS A WHOLE WITHOUT THE WRITTEN PERMISSION OF SOLARBOTICS IS PROHIBITED.			

SOLARBOTICS[®]
Solarbotics Ltd.
201 35th Ave N.E.
Calgary, Alberta, Canada
T2E-2K5
Ph: (403) 232-6268
Fax: (403) 226-3741

SIZE	DWG. NO.	REV.
A	GM8_Imperial	
SCALE: 1:1	WEIGHT:	SHEET: 1/1




Note:
Dimensions may fluctuate
due to manufacturing
tolerances.

Rev. Date Revision Details

--	--	--

DIMENSIONS ARE IN mm TOLERANCES: FRACTIONAL ± 1mm ANGULAR: MACH ± BEND ± TWO PLACE DECIMAL ± 0.5 THREE PLACE DECIMAL ± 0.12	DRAWN	DDG	DATE	Feb2306
	CHECKED			
	ENG APPR.			
	MFG APPR.			
	PRINTED	8/14/07		
MATERIAL	PROPRIETARY AND CONFIDENTIAL			
DO NOT SCALE DRAWING	THE INFORMATION CONTAINED IN THIS DRAWING IS THE SOLE PROPERTY OF SOLARBOTICS. ANY REPRODUCTION IN PART OR AS A WHOLE WITHOUT THE WRITTEN PERMISSION OF SOLARBOTICS IS PROHIBITED.			


Solarbotics Ltd.
201 35th Ave N.E.
Calgary, Alberta, Canada
T2E-2K5
Ph: (403) 232-6268
Fax: (403) 226-3741

SIZE	DWG. NO.	REV.
A	GM8_Metric	
SCALE: 1:1	WEIGHT:	SHEET: 1/1