

Distributed by:

JAMECO[®]
ELECTRONICS

www.Jameco.com ♦ **1-800-831-4242**

The content and copyrights of the attached
material are the property of its owner.

High Current/High Density Power Connector System

The power Connector series is designed for high current / high density applications which require the design flexibility of wire to wire and wire to board configurations in the interconnection system. The power connector system is appropriate for both power and signal applications as it can carry currents of up to 9 amperes per circuit.

4256T Series Crimp Terminal

Specifications:

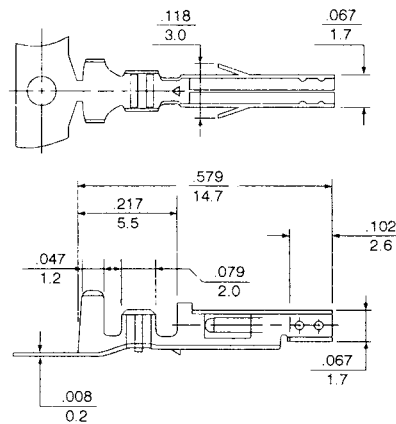
● Electrical:

- Voltage Rating: 600V (R.M.S.)
- Contact Resistance: 10mΩ max.
- Dielectric strength: 1500V AC

- UL File No. : E114003
- CSA File No. : LR86545

Mechanical:

- Temperature Rise: (Carrying rated current load) 30°C max.



inches
mm

Ordering & Dimensional Information:

Part No.	Wire Size (AWG)	Max. Ins. Dia. (mm)	Material	Thickness (mm)	Finish	Chain Type
4256T1	#22 ~ #28	1.8	Brass	0.2	Tin-plated	End Chain
4256T2	#18 ~ #24	3.1				
4256T3	#16	3.1				
4256TP1	#22 ~ #28	1.8	Phosphor Bronze			
4256TP2	#18 ~ #24	3.1				
4256TP3	#16	3.1				