

Distributed by:



[www.Jameco.com](http://www.Jameco.com) ♦ 1-800-831-4242

The content and copyrights of the attached material are the property of its owner.

Jameco Part Number 404582

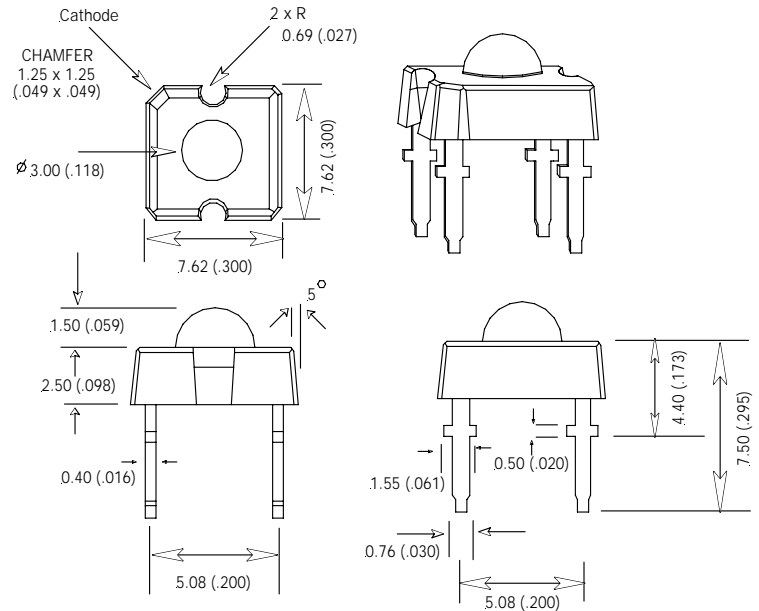


## MCDL-1860XX (7.62 MM x 7.62 MM PIRANHA 75°)

Lens Color: **Water Clear**  
 Lens Dimension: **3 mm Diameter Dome**

### Features

- High Flux Output
- Designed for High Current operation
- Low Thermal Resistance
- Low Profile
- Reliable
- Packaged in Tubes for use with Automatic Insertion Equipment



### Absolute Maximum Ratings at $T_A = 25^\circ \text{C}$

Parameter			Unit
Reverse Voltage	5		V
Operation Temperature	-20°	+80°	°C
LED Junction Temperature	125°		°C
Storage Temperature	-55°	+100°	°C
Solder DIP (5 seconds, 1.6 mm from body) Temperature	260°	±5°	°C

### Electrical Characteristics At $T_a = 25^\circ \text{C}$

Part Number	Emitted Color		Peak Wavelength	$V_F$	Viewing Angle $2\theta$	$I_V$ (If - 40mA) MCD	
	Chip	Color				Min	Typ
MCDL-1860UEC-TL	GaAlInP	HER	625	2.0	75	2,800	3,200
MCDL-1860UYC-TL	GaAlInP	Amber	590	2.0	75	2,800	3,200
MCDL-1860UBGC-TL	InGaN	Blue Green	505	3.5	75	3,200	3,500
MCDL-1860UBC-15C	InGaN	Blue	470	3.5	75	2,300	2,500
MCDL-1860UGC-TL	InGaN	Pure Green	525	3.5	75	3,200	3,500
<b>MCDL-1860UWC-15C</b>	InGaN	Ultra White	**	3.5	75	3,200	3,500

### Notes:

- All Dimensions are in millimeters (inches).
- Tolerance is  $\pm 0.25\text{mm}$  (0.010") unless otherwise specified.
- Lead spacing is measured where the leads emerge from the package.
- Specifications are subject to change without notice.

