

.200"(5.08mm) pitch power connectors

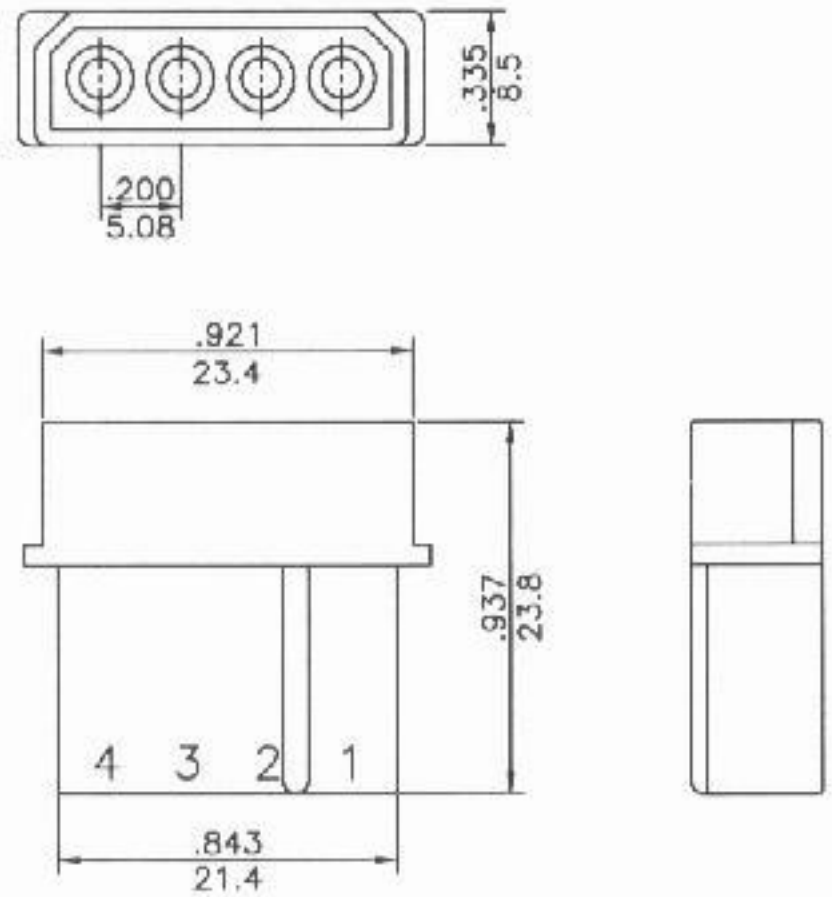
Top Willing Co., Ltd.

CH398-04 Series

- * Poles:4
- * Material:NYLON 66 UL94V-2
- * Suitable CT398 series terminal

Specifications

- * Current rating: 5A AC, DC
- * Voltage rating: 250V AC, DC
- * Temperature range: $-25^{\circ}\text{C}\sim+120^{\circ}\text{C}$
- * Insulation resistance: $1,000\text{M}\Omega$ min.
- * Withstand voltage: 1,500V AC/minute



.200"(5.08mm) pitch crimp terminal

CT398 Series

- * Material:Brass
- * Finished:Tin-plated 60u"
- * Used in CH398 series housings
- * Wire range:AWG#18~#24
- * Insulation O.D:2.50mm(max)
- * Thickness:0.25mm
- * Q'TY:7,000pcs/reel

