

Distributed by:

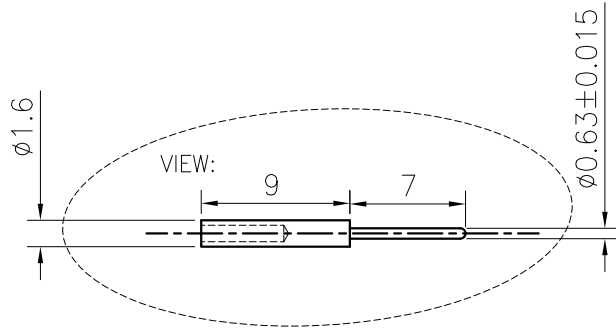
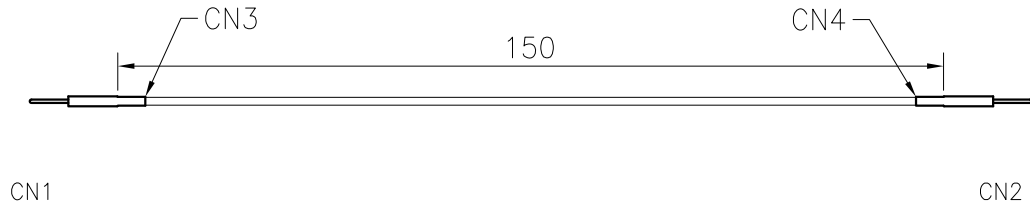
JAMECO[®]
ELECTRONICS

www.Jameco.com ♦ 1-800-831-4242

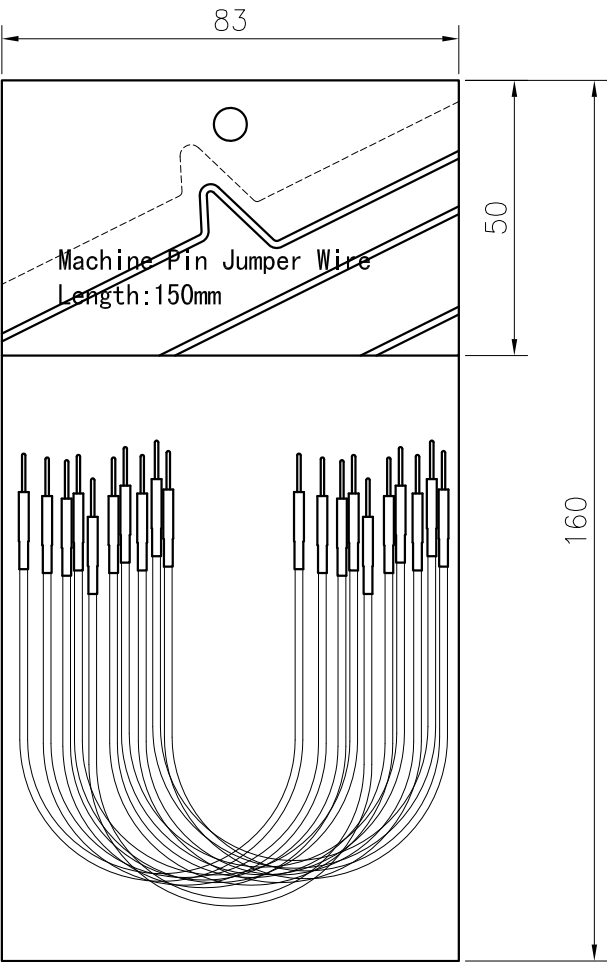
The content and copyrights of the attached
material are the property of its owner.

Jameco Part Number 421315

Date	Rev.	Description



CN1 SCALE 3:1



10 PCS

FOR RoHS

CABLE: UL1007 24AWG (PURPLE)
 CN1/CN2: MACHINE PIN 0.63mm (BRASS)
 CN3/CN4: HEAT SHRINK TUBE (BLACK)

DWG NO:

		UNITS	SCALE	SHEET
		mm	1:1	

DCC. NO.
A4 DRAWING NO.

MATERIAL		GOLDSUN ELECTRONICS CO., LTD.			
		JAMECO NO. 421315		GOLDSUN NO.	
DRAWN: Kiki Chen		Description JUMPER WIRE			Rev. 1
VERIFY PEOPLE: Wendy Chen, Fanny Du		UNIT: mm	SCALE:	SHEET 1 OF 1	CAS No: ERN No: