

Distributed by:

JAMECO[®]
ELECTRONICS

www.Jameco.com ♦ 1-800-831-4242

The content and copyrights of the attached
material are the property of its owner.

Jameco Part Number 421403

4

3

2

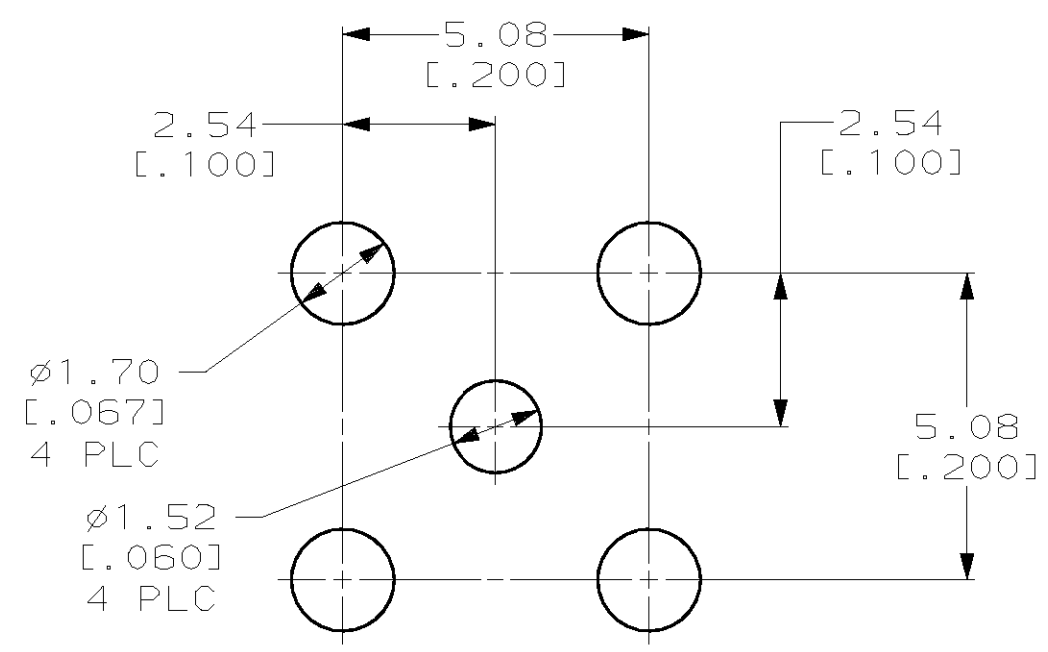
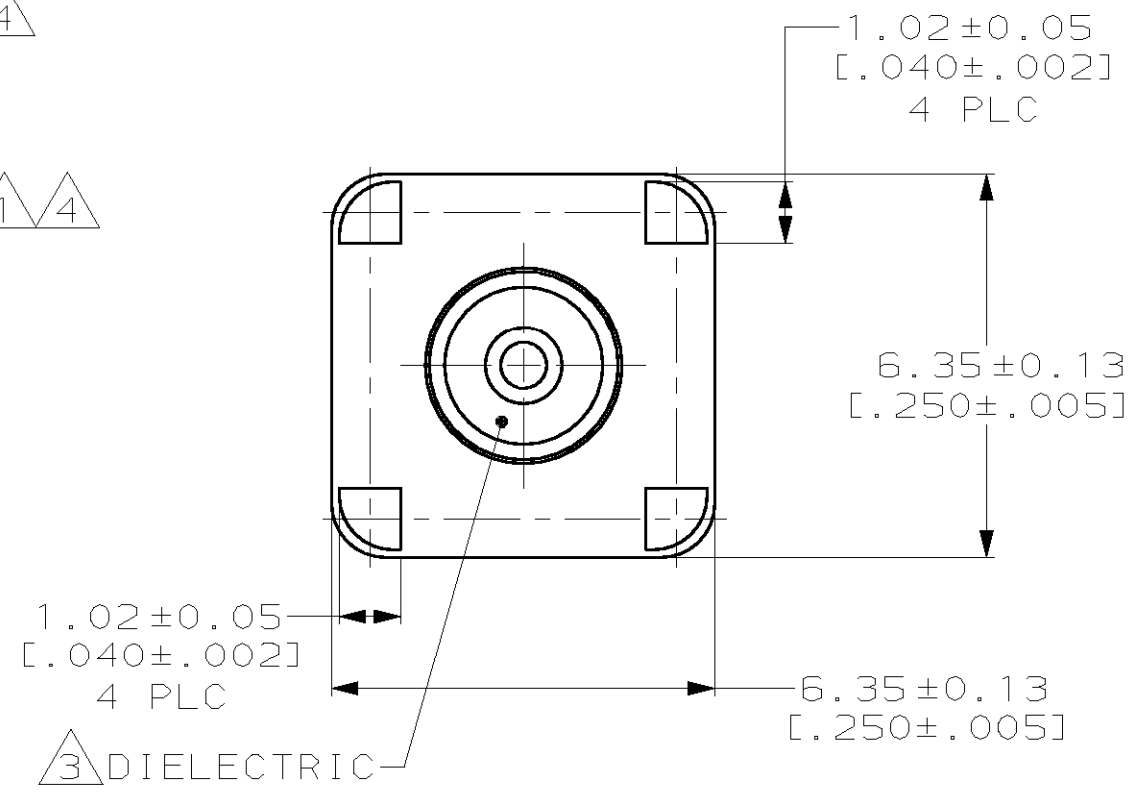
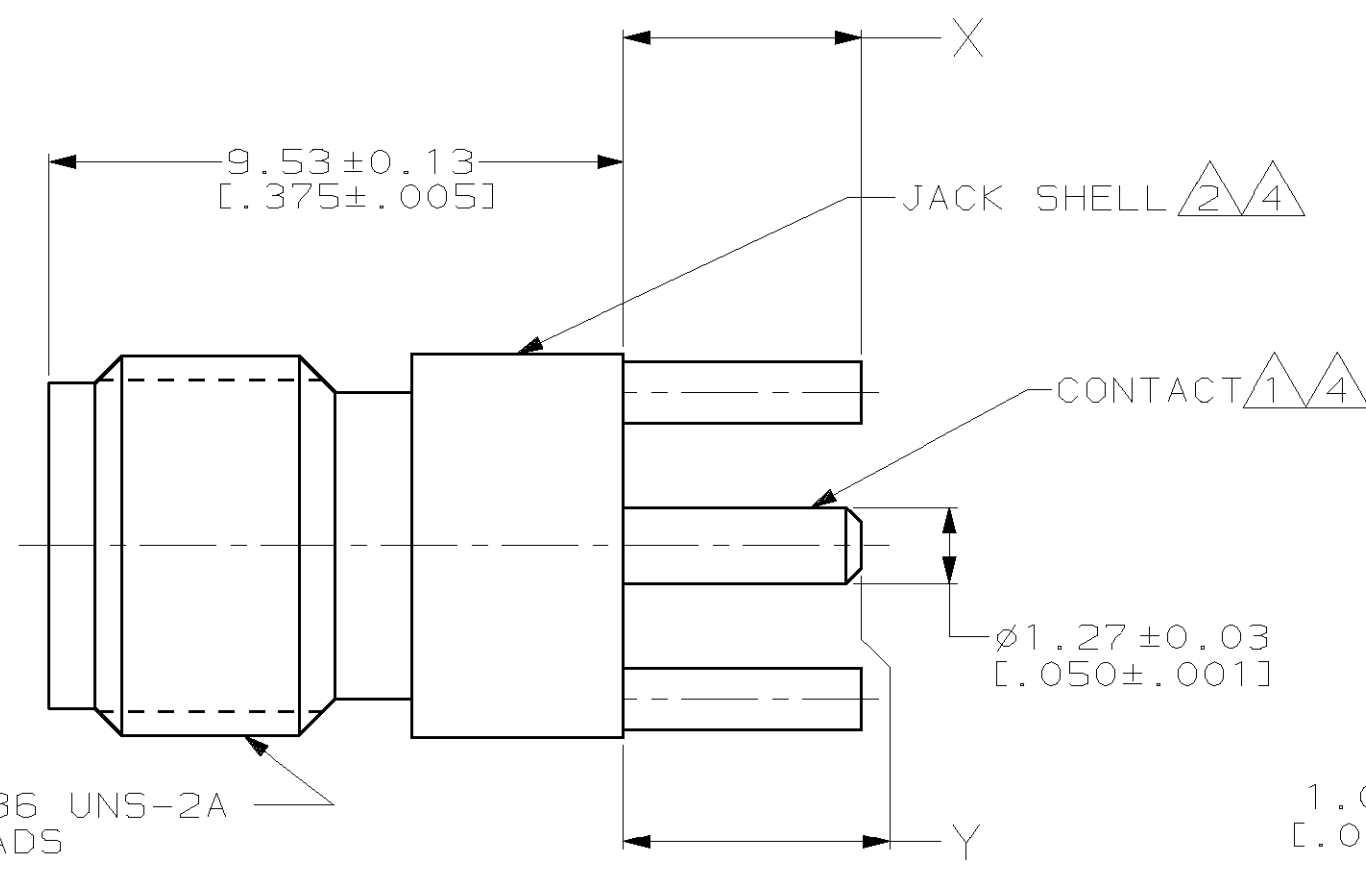
1

THIS DRAWING IS UNPUBLISHED. RELEASED FOR PUBLICATION ,19 .

© COPYRIGHT 19 BY AMP INCORPORATED. ALL RIGHTS RESERVED.

LOC	DIST	REVISIONS			
P	LTR	DESCRIPTION	DATE	DWN	APVD
AJ	16	E	REV PER 0U20-0090-99	22SEP99	MO JH

- ① BERYLLIUM COPPER PER ASTM-B-197.
- ② BRASS PER ASTM-B-16.
- ③ TEFLON, PTFE, PER ASTM-D-1710.
- ④ GOLD PLATE PER MIL-G-45204.
- ⑤ PACKAGED ON TAPE & REEL PER EIA-STD481 WITH SOLDER LEGS DOWN.



⑤	2.67 ^{+0.25} _{-0.15} [.105 ^{+0.010} _{-.006}]	2.67 ± 0.13 [.105 ± .005]	221789-4
	2.67 ^{+0.25} _{-0.15} [.105 ^{+0.010} _{-.006}]	2.67 ± 0.13 [.105 ± .005]	221789-3
	3.94 [.155]	3.94 ± 0.25 [.155 ± .010]	221789-1
	Y	X	PART NUMBER

RECOMMENDED PCB CONFIGURATION

THIS DRAWING IS A CONTROLLED DOCUMENT.		DWN B. MOYER 25NOV97	AMP Incorporated Harrisburg, PA 17105-3608			
DIMENSIONS: mm [INCHES]		CHK J. CABARLO 25NOV97				
TOLERANCES UNLESS OTHERWISE SPECIFIED:		APVD J. CABARLO 25NOV97	NAME JACK, VERTICAL, PCB, SMA SERIES			
0 PLC ±- 1 PLC ±- 2 PLC ±0.08 [.003] 3 PLC ±- 4 PLC ±- ANGLES ±-		PRODUCT SPEC -	APPLICATION SPEC -			
MATERIAL ①②③		FINISH ④	SIZE A3	CAGE CODE 00779	DRAWING NO C-221789	RESTRICTED TO -
CUSTOMER DRAWING			SCALE 8:1	SHEET 1 OF 1	REV E	