

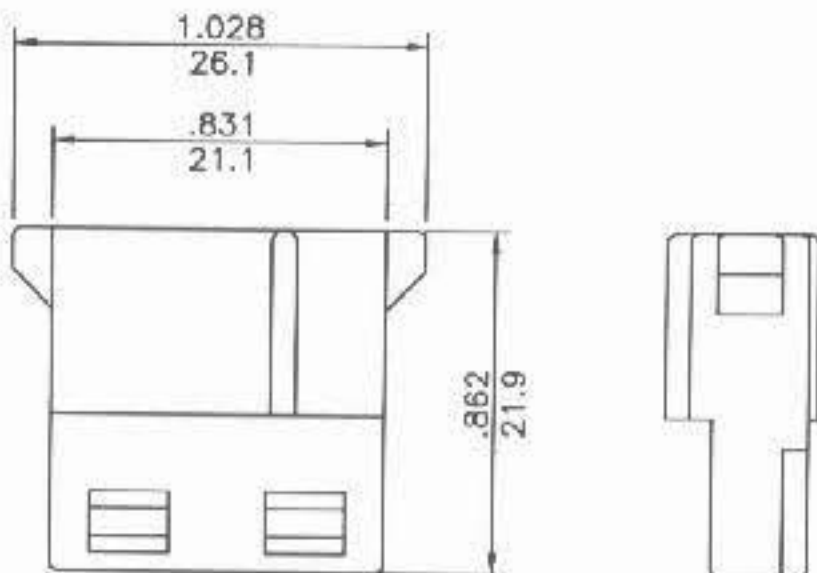
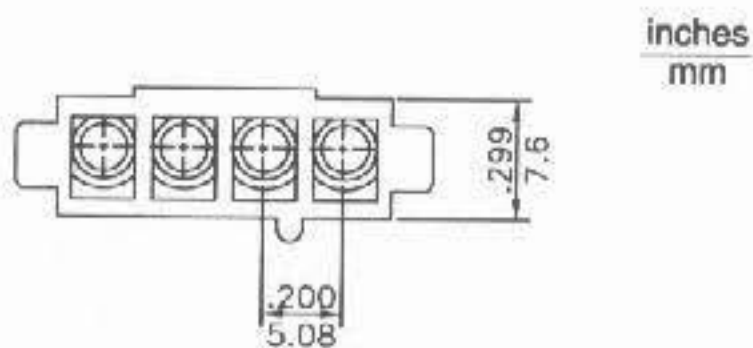
.200"(5.08mm) pitch power connectors

CH396-04 Series

- * Poles:4
 - * Material:NYLON 66 UL94V-2
 - * Suitable CT396 series terminal
- Specifications**
- * Current rating: 5A AC, DC
 - * Voltage rating: 250V AC, DC
 - * Temperature range: -25°C~+120°C
 - * Insulation resistance: 1,000MΩ min.
 - * Withstand voltage: 1,500V AC/minute

Old Series number : JS-1114 Series

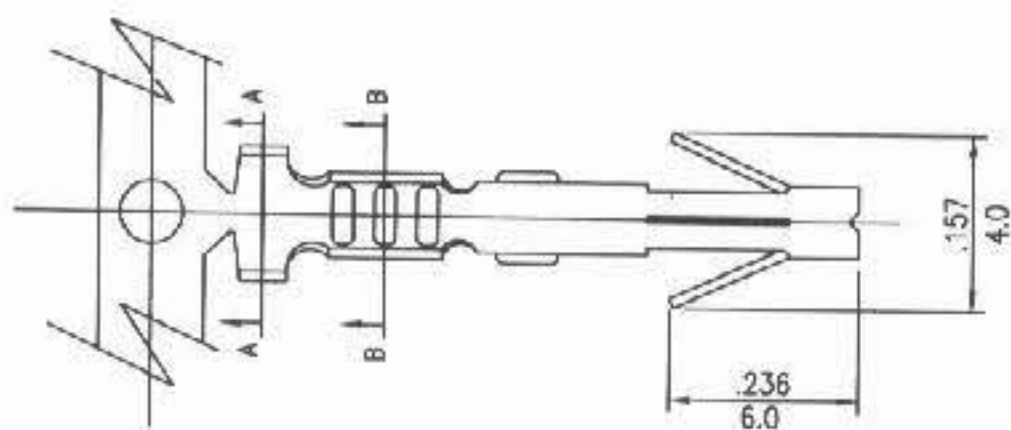
ROHS



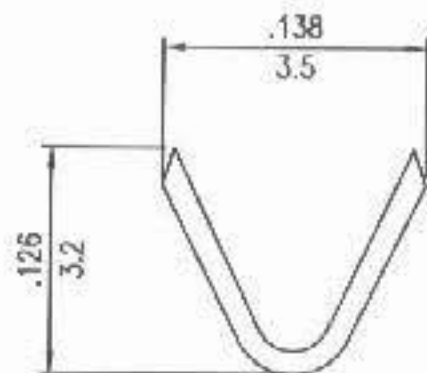
.200"(5.08mm) pitch crimp terminal

CT396 Series

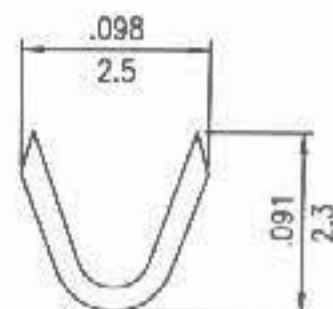
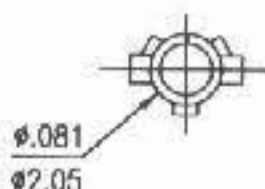
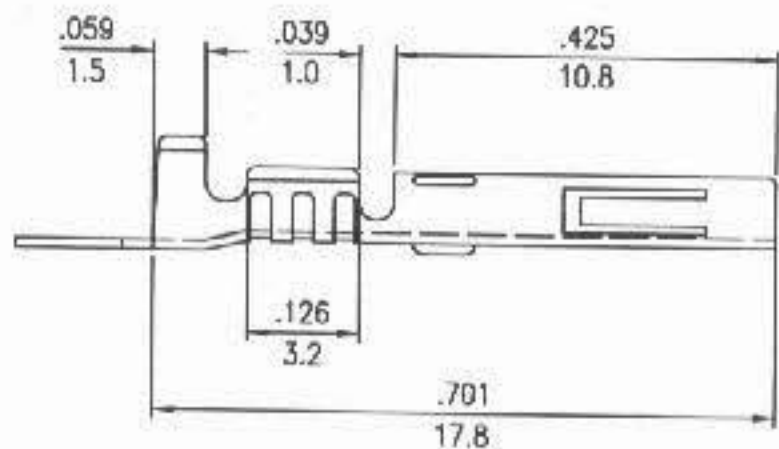
- * Material:Brass
- * Finished:Tin-plated 60u"
- * Used in CH396 series housings
- * Wire range:AWG#18~#24
- * Insulation O.D:2.50mm(max)
- * Thickness:0.30mm
- * Q'TY:7,000pcs/reel



inches
mm



A-A SECTION



B-B SECTION