

Distributed by:

JAMECO[®]
ELECTRONICS

www.Jameco.com ♦ 1-800-831-4242

The content and copyrights of the attached
material are the property of its owner.

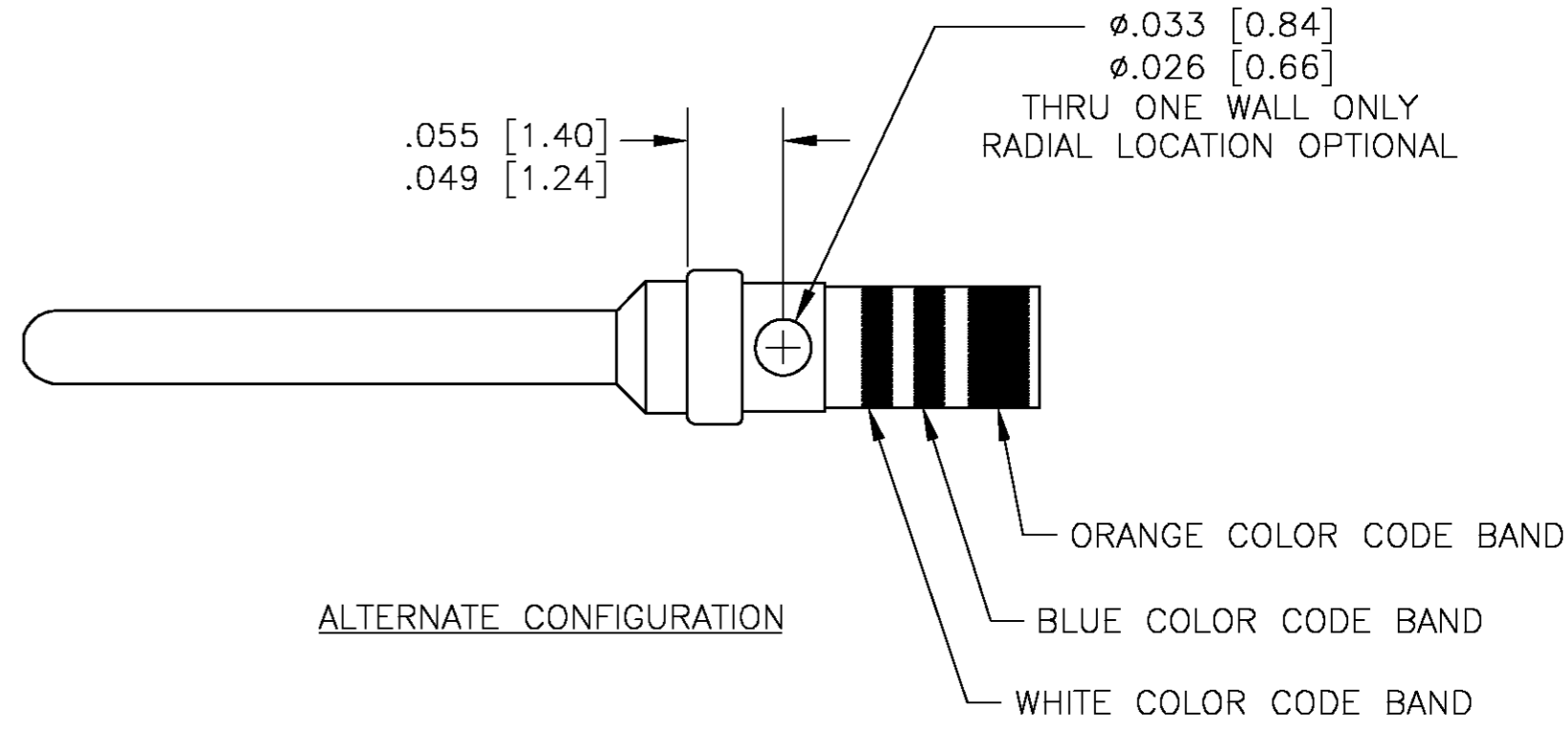
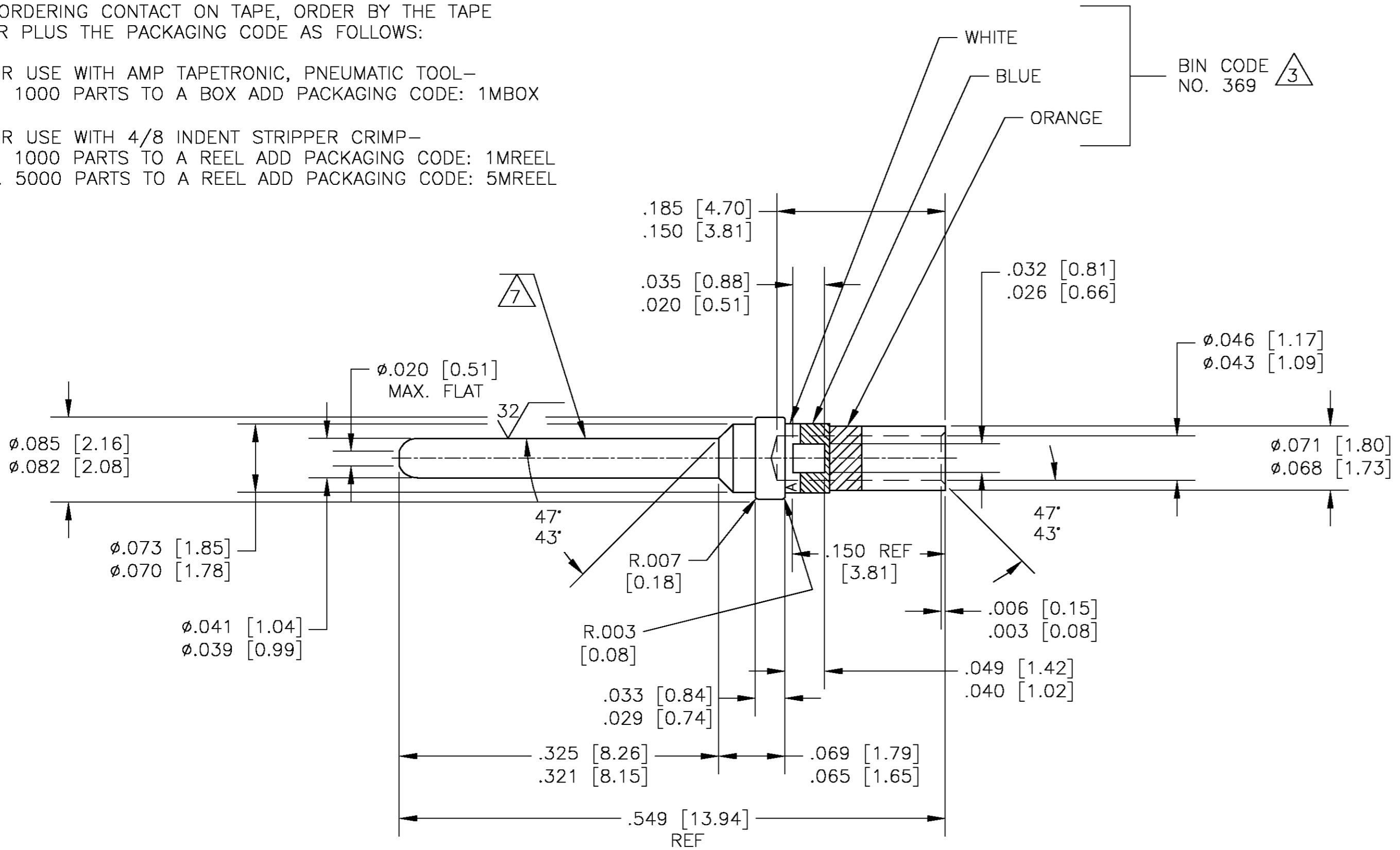
Jameco Part Number 449342

THIS DRAWING IS UNPUBLISHED. RELEASED FOR PUBLICATION
 © COPYRIGHT BY TYCO ELECTRONICS CORPORATION. ALL RIGHTS RESERVED.

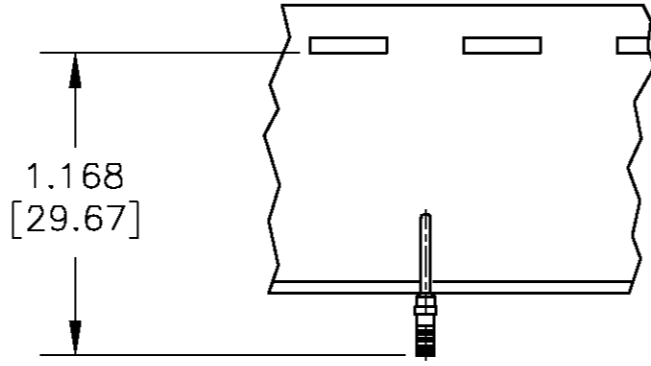
LOC		DIST		REVISIONS			
P	LTR	DESCRIPTION	DATE	DWN	APVD		
	R	REV PER 0H14-0159-03	3-04	CT	LO		

WHEN ORDERING CONTACT ON TAPE, ORDER BY THE TAPE NUMBER PLUS THE PACKAGING CODE AS FOLLOWS:

- 2. FOR USE WITH AMP TAPETRONIC, PNEUMATIC TOOL-
 - A. 1000 PARTS TO A BOX ADD PACKAGING CODE: 1MBOX
- 3. FOR USE WITH 4/8 INDENT STRIPPER CRIMP-
 - A. 1000 PARTS TO A REEL ADD PACKAGING CODE: 1MREEL
 - B. 5000 PARTS TO A REEL ADD PACKAGING CODE: 5MREEL



- 1 MATERIAL: COPPER ALLOY PER MIL-C-39029 & MIL-DTL-24308.
- 2. ALL DIMENSIONS APPLY AFTER PLATING.
- 3 THIS DRAWING COMPLIES WITH SPECIFICATION MIL-C-39029/64 & M24308/11-1.
- 4. ALL DIAMETERS CONCENTRIC WITH EACH OTHER WITHIN .004 T.I.R.
- 5. PIN MATES WITH SOCKET 205090 (MIL-C-39029/63).
- 6. ALL SURFACES HAVE $\sqrt{63}$ OR BETTER FINISH, UNLESS SHOWN.
- 7 POINT OF PLATING MEASUREMENT .188 [4.78] FROM TIP OF PIN.
- 8 PLATING: GOLD PER ASTM-B-488 (TYPE II) OVER NICKEL PER QQ-N-290.
- 9 PLATING: GOLD PER ASTM-B-488 (TYPE II) OVER COPPER PER MIL-C-14550, CLASS 4.
- 10 PLATING: GOLD PER ASTM-B-488 (TYPE II, CLASS 0) OVER NICKEL PER QQ-N-290.



WITHOUT COLOR CODE	10	1-205089-0
WITHOUT COLOR CODE	9	205089-4
CONTACT ON TAPE	SAME AS -1	205089-2
AS SHOWN	8	205089-1
DESCRIPTION	PLATING	PART NO.

THIS DRAWING IS A CONTROLLED DOCUMENT.		DWN	25AUG2003	Tyco Electronics Corporation	
DIMENSIONS: INCHES		CHK	10-13-03	Harrisburg, PA 17105-3608	
TOLERANCES UNLESS OTHERWISE SPECIFIED:		APVD	10-13-03	NAME	
0 PLC	± -	D. MILLER		PIN SIZE 20 CONTACT, AMPLIMITE	
1 PLC	± -	D. MILLER		SIZE	
2 PLC	± -	D. MILLER		CAGE CODE	
3 PLC	± -	D. MILLER		DRAWING NO	
4 PLC	± -	D. MILLER		RESTRICTED TO	
ANGLES	± -	D. MILLER		A2 00779 C=205089	
FINISH	-	D. MILLER		SCALE 10:1 SHEET 1 OF 1 REV R	
MATERIAL	1	D. MILLER		CUSTOMER DRAWING	