

Distributed by:

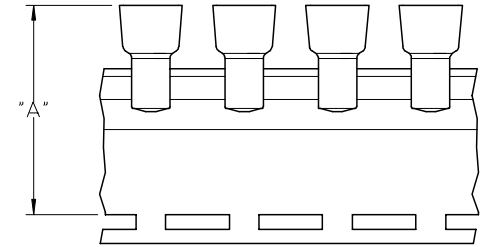
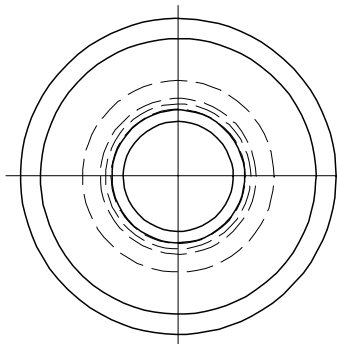
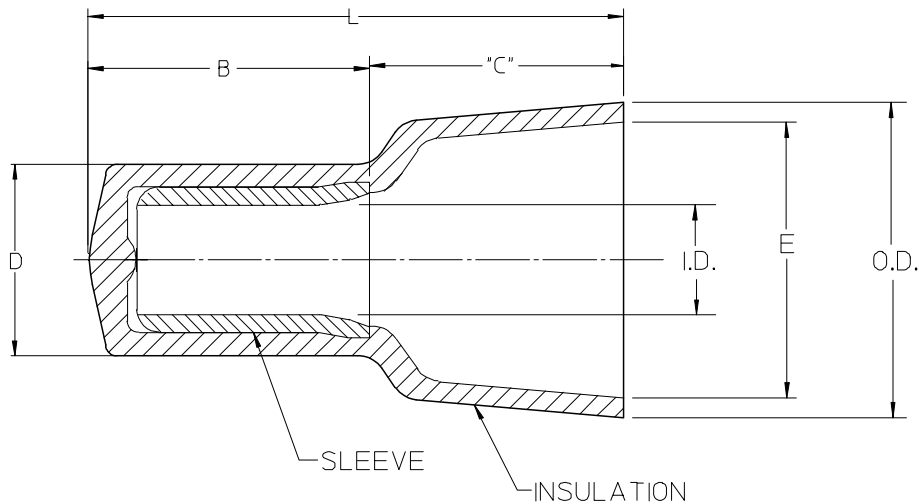
**JAMECO**<sup>®</sup>  
ELECTRONICS

**www.Jameco.com ♦ 1-800-831-4242**

The content and copyrights of the attached  
material are the property of its owner.

Jameco Part Number 454660

10	9	8	7	6	5	4	3	2	19160				
LOOSE PIECE		TAPE MOUNTED		STANDARD BAG 100 PCS	ENGINEERING NUMBER	"L" MAX.	"B" ±.010/0.25	"D" MAX.	"E" MIN.	I.D. MIN.	O.D. MAX.	"A" DIM ±.015/0.38	"C" REF
MATERIAL NO.	ENG. NO.	MATERIAL NO.	ENG. NO.										
191600012	NC-2214	191600070	NC-2214T	191600171	NC-2214STD100	.61/15.5	.43/10.9	.19/4.8	.24/6.1	.09/2.3	.32/8.1	1.543/39.19	.180/4.57
191600009	NC-2212	191600071	NC-2212T	191600170	NC-2212STD100	.86/21.8	.37/9.4	.23/5.8	.27/6.9	.10/2.5	.36/9.1	1.631/41.43	.490/12.45
191600002	NC-1610	191600083	NC-1610T	191600169	NC-1610STD100	.90/22.8	.39/9.9	.28/7.1	.38/9.6	.15/3.8	.45/11.4	1.750/44.45	.510/12.95
191600024	NC-8	191600028	NC-8T	N/A	N/A	1.09/27.7	.43/10.9	.36/9.1	.48/12.2	.21/5.3	.57/14.5	1.864/47.35	.660/16.76



TAPE MOUNTING LOCATION

### SALES DRAWING

NOTES:

- MATERIAL: SLEEVE: TIN PLATED COPPER  
INSULATION: 6/6 NYLON  
COLOR: NATURAL, TRANSLUCENT

ID DIM ERRORS EC NO: ETC2006-0022 TDRWN:DMYRICK 2005/08/15 CHKD:R.DERROSS 2005/08/15 APPR:R.DERROSS 2005/08/15	QUALITY SYMBOLS	GENERAL TOLERANCES (UNLESS SPECIFIED)	SCALE 5:1	DESIGN UNITS INCH	THIRD ANGLE PROJECTION	REVISE ON CAD ONLY	
	DESCRIPTION	mm INCH	DIMENSION STYLE IN/MM		TITLE		
	REVISIONS	4 PLACES ± --- ± --- 3 PLACES ± --- ± --- 2 PLACES ± --- ± --- 1 PLACE ± --- ± ---	DRAWN BY H.BEITZE DATE 04/02/23	MOLEX INCORPORATED		CLOSED END CONNECTORS NYLON INSULATED	
		ANGULAR ± ---°	CHECKED BY R.DERROSS DATE 04/02/23	MATERIAL NO. SEE CHART		DOCUMENT NO. SD-19160-001	SHEET NO. 1 OF 1
		DRAFT WHERE APPLICABLE MUST REMAIN WITHIN DIMENSIONS	APPROVED BY R.DERROSS DATE 04/02/23		THIS DRAWING CONTAINS INFORMATION THAT IS PROPRIETARY TO MOLEX INCORPORATED AND SHOULD NOT BE USED WITHOUT WRITTEN PERMISSION		