

Distributed by:

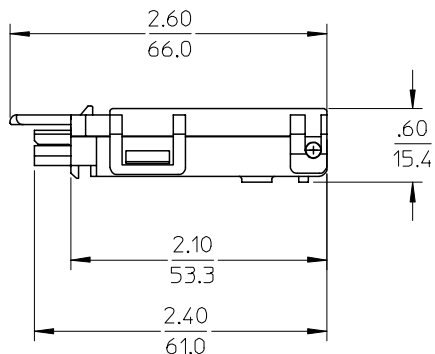
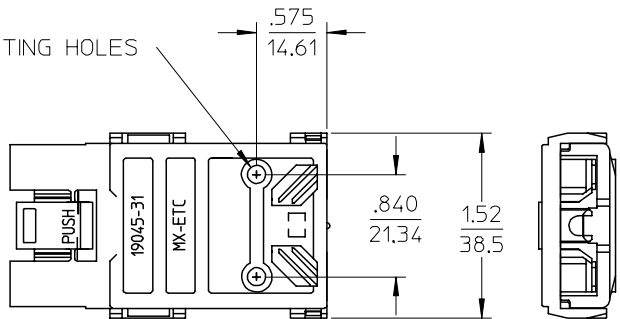
JAMECO[®]
ELECTRONICS

www.Jameco.com ♦ 1-800-831-4242

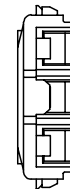
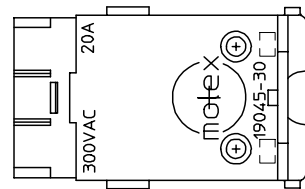
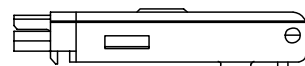
The content and copyrights of the attached
material are the property of its owner.

Jameco Part Number 462125

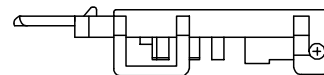
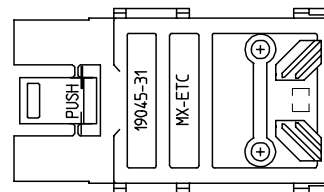
(2) $\phi \frac{.15}{3.8}$ MOUNTING HOLES



ASSEMBLED VIEWS



HOUSING ASSEMBLY
MATERIAL NUMBER 19045-2000 (A2)



COVER
MATERIAL NUMBER 19045-3100 (A2)

WORK AREA PLOT

NOTES:
1.) PARTS ARE PACKAGED 50 UNITS PER CONTAINER.
2.) REF: UL FILE NO. E182087, CSA FILE NO. LR18689.

EC NO: ETC2003-0252 DRWN:BRUPERT 2003/03/26 CHKD:JPALWIC 2003/03/26 APPR:RDEROSS 2003/03/27	QUALITY SYMBOLS	GENERAL TOLERANCES (UNLESS SPECIFIED)		SCALE 1:1	DESIGN UNITS INCH	THIRD ANGLE PROJECTION	REVISE ON CAD ONLY
	DESCRIPTION	mm	INCH	DIMENSION STYLE IN/MM		TITLE	
REV: A2	▽ = 0	4 PLACES ± ---	± ---	DRAWN BY DAY	DATE 05/27/97	Molex CUSTOMER DRAWING HERMAPHRODITIC CONNECTOR 12-14AWG ASSEMBLY	SHEET NO. 1 OF 1
	▽C = 0	2 PLACES ± 0.25	± .02	CHECKED BY R.DEROSS	DATE 05/27/97		
		1 PLACE ± 0.5	± ---	APPROVED BY R.DEROSS	DATE 05/27/97	MATERIAL NO. 190451000	DOCUMENT NO. SD-19045-100
		ANGULAR ± 1/2°		THIS DRAWING CONTAINS INFORMATION THAT IS PROPRIETARY TO MOLEX INCORPORATED AND SHOULD NOT BE USED WITHOUT WRITTEN PERMISSION			
		DRAFT WHERE APPLICABLE					
		MUST REMAIN WITHIN DIMENSIONS					