

Distributed by:

**JAMECO**<sup>®</sup>  
ELECTRONICS

**www.Jameco.com ♦ 1-800-831-4242**

The content and copyrights of the attached  
material are the property of its owner.

Jameco Part Number 46412TI

# SN54107, SN54LS107A, SN74107, SN74LS107A DUAL J-K FLIP-FLOPS WITH CLEAR

SDLS036 – DECEMBER 1983 – REVISED MARCH 1988

- Package Options Include Plastic "Small Outline" Packages, Ceramic Chip Carriers, and Plastic and Ceramic DIPs
- Dependable Texas Instruments Quality and Reliability

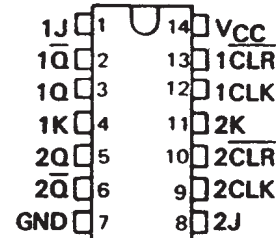
## description

The '107 contain two independent J-K flip-flops with individual J-K, clock, and direct clear inputs. The '107 is a positive pulse-triggered flip-flop. The J-K input data is loaded into the master while the clock is high and transferred to the slave and the outputs on the high-to-low clock transition. For these devices the J and K inputs must be stable while the clock is high.

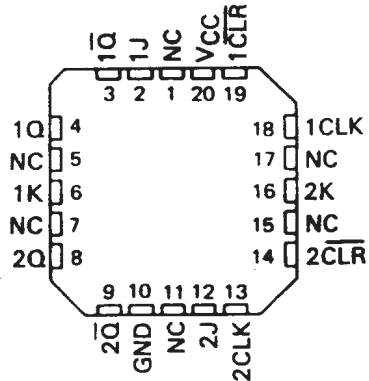
The 'LS107A contain two independent negative-edge-triggered flip-flops. The J and K inputs must be stable prior to the high-to-low clock transition for predictable operation. When the clear is low, it overrides the clock and data inputs forcing the Q output low and the  $\bar{Q}$  output high.

The SN54107 and the SN54LS107A are characterized for operation over the full military temperature range of  $-55^{\circ}\text{C}$  to  $125^{\circ}\text{C}$ . The SN74107 and the SN74LS107A are characterized for operation from  $0^{\circ}\text{C}$  to  $70^{\circ}\text{C}$ .

SN54107, SN54LS107A . . . J PACKAGE  
SN74107 . . . N PACKAGE  
SN74LS107A . . . D OR N PACKAGE  
(TOP VIEW)



SN54LS107A . . . FK PACKAGE  
(TOP VIEW)



NC - No internal connection

'107  
FUNCTION TABLE

INPUTS				OUTPUTS	
$\overline{\text{CLR}}$	CLK	J	K	Q	$\bar{Q}$
L	X	X	X	L	H
H	$\downarrow$	L	L	$Q_0$	$\bar{Q}_0$
H	$\downarrow$	H	L	H	L
H	$\downarrow$	L	H	L	H
H	$\downarrow$	H	H	TOGGLE	
H	H	X	X	$Q_0$	$\bar{Q}_0$

'LS107A  
FUNCTION TABLE

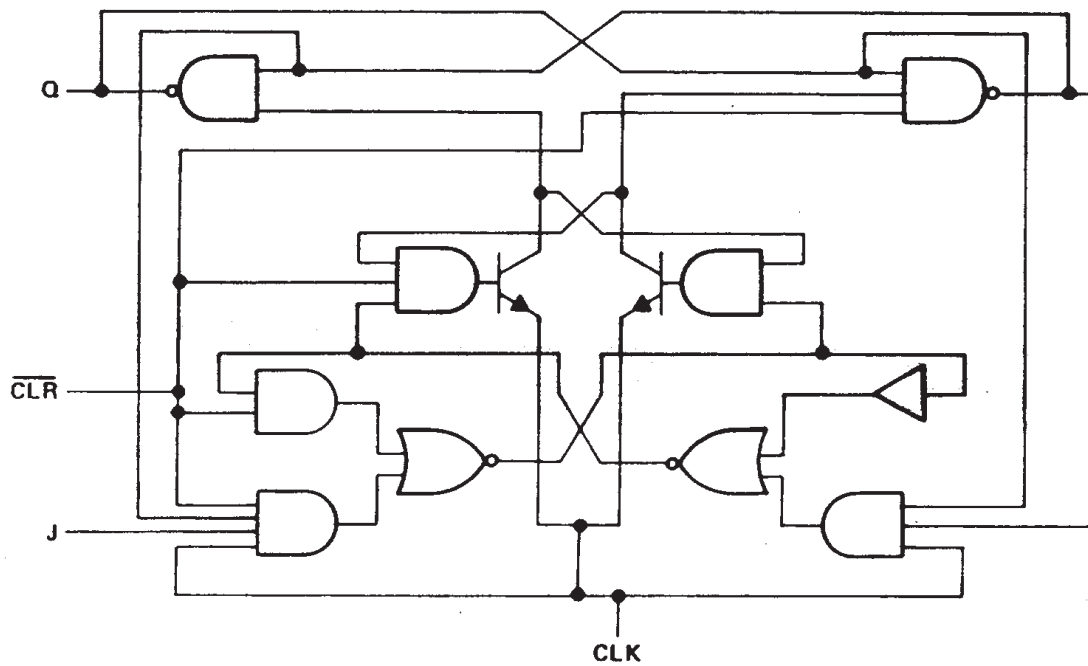
INPUTS				OUTPUTS	
$\overline{\text{CLR}}$	CLK	J	K	Q	$\bar{Q}$
L	X	X	X	L	H
H	$\downarrow$	L	L	$Q_0$	$\bar{Q}_0$
H	$\downarrow$	H	L	H	L
H	$\downarrow$	L	H	L	H
H	$\downarrow$	H	H	TOGGLE	
H	H	X	X	$Q_0$	$\bar{Q}_0$

PRODUCTION DATA information is current as of publication date. Products conform to specifications per the terms of Texas Instruments standard warranty. Production processing does not necessarily include testing of all parameters.

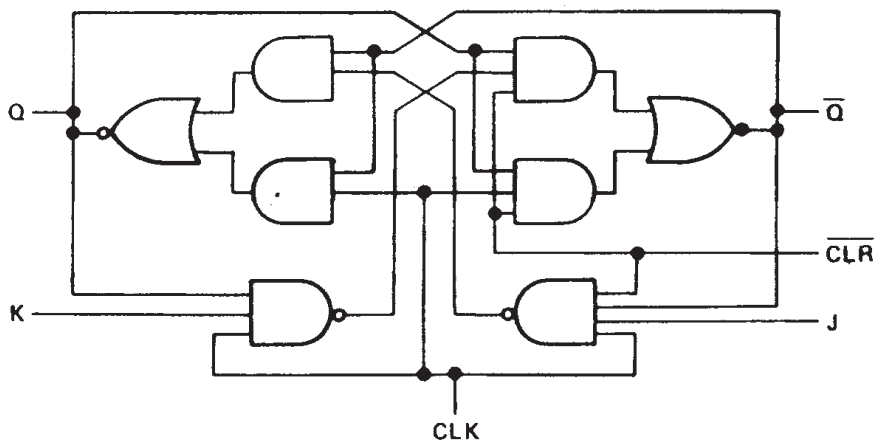


SN54107, SN54LS107A,  
 SN74107, SN74LS107A  
 DUAL J-K FLIP-FLOPS WITH CLEAR  
 SDLS036 – DECEMBER 1983 – REVISED MARCH 1988

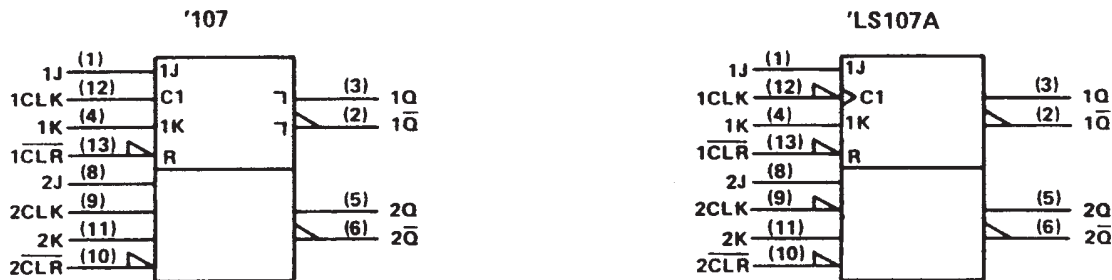
logic diagrams (positive logic)



'LS107A

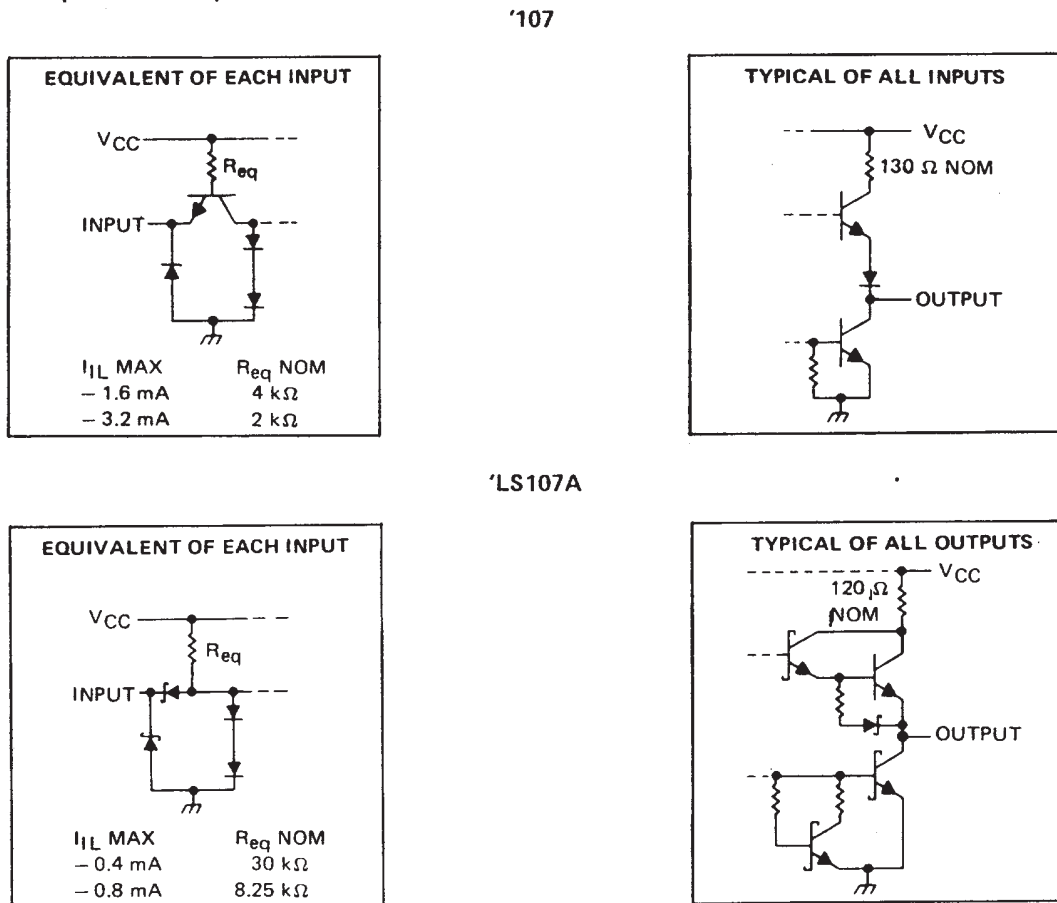


logic symbols †



†These symbols are in accordance with ANSI/IEEE Std 91-1984 and IEC Publication 617-12.  
Pin numbers shown are for D, J, and N packages.

schematic of inputs and outputs



absolute maximum ratings over operating free-air temperature range (unless otherwise noted)

Supply voltage, $V_{CC}$ (see Note 1)	7 V
Input voltage: '107	5.5 V
'LS107A	7 V
Operating free-air temperature range: SN54'	-55°C to 125°C
SN74'	0°C to 70°C
Storage temperature range	-65°C to 150°C

NOTE 1: Voltage values are with respect to network ground terminal.

# SN54107, SN74107 DUAL J-K FLIP-FLOPS WITH CLEAR

SDLS036 – DECEMBER 1983 – REVISED MARCH 1988

## recommended operating conditions

		SN54107			SN74107			UNIT
		MIN	NOM	MAX	MIN	NOM	MAX	
$V_{CC}$	Supply voltage	4.5	5	5.5	4.75	5	5.25	V
$V_{IH}$	High-level input voltage	2			2			V
$V_{IL}$	Low-level input voltage			0.8			0.8	V
$I_{OH}$	High-level output current			-0.4			-0.4	mA
$I_{OL}$	Low-level output current			16			16	mA
$t_w$	Pulse duration	CLK high		20	20		ns	
		CLK low		47	47			
		CLR low		25	25			
$t_{su}$	Input setup time before CLK†	0			0			ns
$t_h$	Input hold time-data after CLK†	0			0			ns
$T_A$	Operating free-air temperature	-55		125	0		70	°C

## electrical characteristics over recommended operating free-air temperature range (unless otherwise noted)

PARAMETER	TEST CONDITIONS†	SN54107			SN74107			UNIT
		MIN	TYP‡	MAX	MIN	TYP‡	MAX	
$V_{IK}$	$V_{CC} = \text{MIN}$ , $I_I = -12 \text{ mA}$			-1.5			-1.5	V
$V_{OH}$	$V_{CC} = \text{MIN}$ , $V_{IH} = 2 \text{ V}$ , $V_{IL} = 0.8 \text{ V}$ , $I_{OH} = -0.4 \text{ mA}$	2.4	3.4		2.4	3.4		V
$V_{OL}$	$V_{CC} = \text{MIN}$ , $V_{IH} = 2 \text{ V}$ , $V_{IL} = 0.8 \text{ V}$ , $I_{OL} = 16 \text{ mA}$		0.2	0.4		0.2	0.4	V
$I_I$	$V_{CC} = \text{MAX}$ , $V_I = 5.5 \text{ V}$			1			1	mA
$I_{IH}$	J or K			40			40	$\mu\text{A}$
	All other			80			80	
$I_{IL}$	J or K			-1.6			-1.6	mA
	All other			-3.2			-3.2	
$I_{OS}§$	$V_{CC} = \text{MAX}$	-20		-57	-18		-57	mA
$I_{CC}¶$	$V_{CC} = \text{MAX}$ , See Note 2		10	20		10	20	mA

†For conditions shown as MIN or MAX, use the appropriate value specified under recommended operating conditions.

‡All typical values are at  $V_{CC} = 5 \text{ V}$ ,  $T_A = 25^\circ \text{C}$ .

§Not more than one output should be shorted at a time.

¶Average per flip-flop.

NOTE 2: With all outputs open,  $I_{CC}$  is measured with the Q and  $\bar{Q}$  outputs high in turn. At the time of measurement, the clock input is grounded.

## switching characteristics, $V_{CC} = 5 \text{ V}$ , $T_A = 25^\circ \text{C}$ (see note 3)

PARAMETER	FROM (INPUT)	TO (OUTPUT)	TEST CONDITIONS	MIN	TYP	MAX	UNIT
$f_{max}$			$R_L = 400 \Omega$ , $C_L = 15 \text{ pF}$	15	20		MHz
$t_{PLH}$	CLR	$\bar{Q}$			16	25	ns
$t_{PHL}$		Q			25	40	ns
$t_{PLH}$	CLK	Q or $\bar{Q}$			16	25	ns
$t_{PHL}$						25	40

NOTE 3: Load circuits and voltage waveforms are shown in Section 1.



POST OFFICE BOX 655303 • DALLAS, TEXAS 75265

# SN54LS107A, SN74LS107A DUAL J-K FLIP-FLOPS WITH CLEAR

SDLS036 – DECEMBER 1983 – REVISED MARCH 1988

## recommended operating conditions

		SN54LS107A			SN74LS107A			UNIT
		MIN	NOM	MAX	MIN	NOM	MAX	
V <sub>CC</sub>	Supply voltage	4.5	5	5.5	4.75	5	5.25	V
V <sub>IH</sub>	High-level input voltage	2			2			V
V <sub>IL</sub>	Low-level input voltage	0.7			0.8			V
I <sub>OH</sub>	High-level output current	-0.4			-0.4			mA
I <sub>OL</sub>	Low-level output current	4			8			mA
f <sub>clock</sub>	Clock frequency	0	30		0	30		MHz
t <sub>w</sub>	Pulse duration	CLK high		20		20		ns
		CLR low		25		25		
t <sub>su</sub>	Setup time before CLK ↓	data high or low		20		20		ns
		CLR inactive		25		25		
t <sub>h</sub>	Hold time-data after CLK ↓	0			0			ns
T <sub>A</sub>	Operating free-air temperature	-55	125		0	70		°C

## electrical characteristics over recommended operating free-air temperature range (unless otherwise noted)

PARAMETER		TEST CONDITIONS†	SN54LS107A		SN74LS107A		UNIT
			MIN	TYP ‡	MAX	MIN	
V <sub>IK</sub>		V <sub>CC</sub> = MIN, I <sub>I</sub> = -18 mA	-1.5		-1.5		V
V <sub>OH</sub>		V <sub>CC</sub> = MIN, V <sub>IH</sub> = 2 V, V <sub>IL</sub> = MAX, I <sub>OH</sub> = -0.4 mA	2.5	3.4	2.7	3.4	V
V <sub>OL</sub>		V <sub>CC</sub> = MIN, V <sub>IL</sub> = MAX, V <sub>IH</sub> = 2 V, I <sub>OL</sub> = 4 mA	0.25	0.4	0.25	0.4	V
		V <sub>CC</sub> = MIN, V <sub>IL</sub> = MAX, V <sub>IH</sub> = 2 V, I <sub>OL</sub> = 8 mA			0.35	0.5	
I <sub>I</sub>	J or K	V <sub>CC</sub> = MAX, V <sub>I</sub> = 7 V	0.1		0.1		mA
	CLR		0.3		0.3		
	CLK		0.4		0.4		
I <sub>IH</sub>	J or K	V <sub>CC</sub> = MAX, V <sub>I</sub> = 2.7 V	20		20		μA
	CLR		60		60		
	CLK		80		80		
I <sub>IL</sub>	J or K	V <sub>CC</sub> = MAX, V <sub>I</sub> = 0.4 V	-0.4		-0.4		mA
	CLR or CLK		-0.8		-0.8		
I <sub>OS</sub> §		V <sub>CC</sub> = MAX, See Note 4	-20	-100	-20	-100	mA
I <sub>CC</sub> (Total)		V <sub>CC</sub> = MAX, See Note 2	4	6	4	6	mA

† For conditions shown as MIN or MAX, use the appropriate value specified under recommended operating conditions.

‡ All typical values are at V<sub>CC</sub> = 5 V, T<sub>A</sub> = 25°C.

§ Not more than one output should be shorted at a time, and the duration of the short circuit should not exceed one second.

NOTE 2: With all outputs open, I<sub>CC</sub> is measured with the Q and  $\bar{Q}$ , outputs high in turn. At the time of measurement, the clock input is grounded.

NOTE 4: For certain devices where state commutation can be caused by shorting an output to ground, an equivalent test may be performed with V<sub>O</sub> = 2.25 V and 2.125 V for the 54 family and the 74 family, respectively, with the minimum and maximum limits reduced to one half of their stated values.

## switching characteristics, V<sub>CC</sub> = 5 V, T<sub>A</sub> = 25°C (see note 3)

PARAMETER	FROM (INPUT)	TO (OUTPUT)	TEST CONDITIONS		MIN	TYP	MAX	UNIT
f <sub>max</sub>			R <sub>L</sub> = 2 kΩ, C <sub>L</sub> = 15 pF		30	45		MHz
t <sub>PLH</sub>	$\bar{CLR}$ or CLK	Q or $\bar{Q}$			15	20		ns
t <sub>PHL</sub>					15	20		ns

NOTE 3: Load circuits and voltage waveforms are shown in Section 1.



## IMPORTANT NOTICE

Texas Instruments and its subsidiaries (TI) reserve the right to make changes to their products or to discontinue any product or service without notice, and advise customers to obtain the latest version of relevant information to verify, before placing orders, that information being relied on is current and complete. All products are sold subject to the terms and conditions of sale supplied at the time of order acknowledgement, including those pertaining to warranty, patent infringement, and limitation of liability.

TI warrants performance of its semiconductor products to the specifications applicable at the time of sale in accordance with TI's standard warranty. Testing and other quality control techniques are utilized to the extent TI deems necessary to support this warranty. Specific testing of all parameters of each device is not necessarily performed, except those mandated by government requirements.

CERTAIN APPLICATIONS USING SEMICONDUCTOR PRODUCTS MAY INVOLVE POTENTIAL RISKS OF DEATH, PERSONAL INJURY, OR SEVERE PROPERTY OR ENVIRONMENTAL DAMAGE ("CRITICAL APPLICATIONS"). TI SEMICONDUCTOR PRODUCTS ARE NOT DESIGNED, AUTHORIZED, OR WARRANTED TO BE SUITABLE FOR USE IN LIFE-SUPPORT DEVICES OR SYSTEMS OR OTHER CRITICAL APPLICATIONS. INCLUSION OF TI PRODUCTS IN SUCH APPLICATIONS IS UNDERSTOOD TO BE FULLY AT THE CUSTOMER'S RISK.

In order to minimize risks associated with the customer's applications, adequate design and operating safeguards must be provided by the customer to minimize inherent or procedural hazards.

TI assumes no liability for applications assistance or customer product design. TI does not warrant or represent that any license, either express or implied, is granted under any patent right, copyright, mask work right, or other intellectual property right of TI covering or relating to any combination, machine, or process in which such semiconductor products or services might be or are used. TI's publication of information regarding any third party's products or services does not constitute TI's approval, warranty or endorsement thereof.