

Distributed by:

**JAMECO**<sup>®</sup>  
ELECTRONICS

**www.Jameco.com ♦ 1-800-831-4242**

The content and copyrights of the attached  
material are the property of its owner.

Jameco Part Number 481385

# molex® 3.96mm (.156") Pitch Crimp Terminal Housing

## 41695

### FEATURES AND SPECIFICATIONS

#### Features and Benefits

- Sizes 2 to 20 circuits
- Locking ramp feature available
- Polarizing rib feature available for side-to-side polarization
- Offset pin entry holes provide 180° polarization
- Accepts entire line of .156" contacts
- Optional voids available

#### Reference Information

Product Specification: PS-08-50

Packaging: Bulk

UL File No.: E29179

CSA File No.: LR19980

Mates With: A4042, 41661, 41662, 41671, 41672, 41681, 41682, 41701, 41711, 41721, 41741, 41761, 41771, 41772, 41791, 41792, 42441, 42461, 42471, 42472, 42491 and 42492

Use With: 2478, 2578, 6438, 6838, 7258 and

8818 terminals

Designed In: Inches

#### Electrical

Voltage: 250V AC max.

Current: Phosphor Bronze — 7.0A max.

Brass — 5.0A max.

Contact Resistance: 6mΩ max.

Dielectric Withstanding Voltage: 1500V AC

Insulation Resistance: 500K MΩ min.

#### Mechanical

Contact Insertion Force: 1.8kg (4 lb) max.

Contact Retention to Housing: 3.6kg (8 lb) min.

Mating Force: Square pin — 2.25 lb max.

Round pin — 1.60 lb max.

Unmating Force: Square pin — 0.84 lb min.

Round pin — 0.60 lb min.

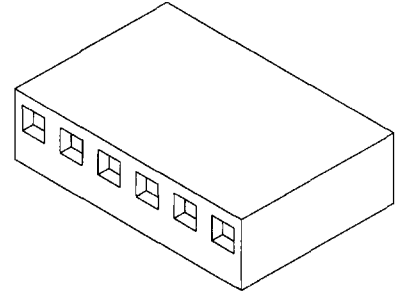
Normal Force: 0.75kg (1.65 lb)

Durability: 25 cycles max.

#### Physical

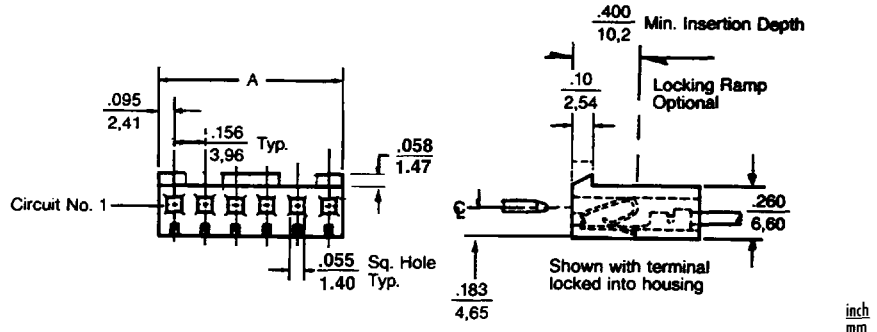
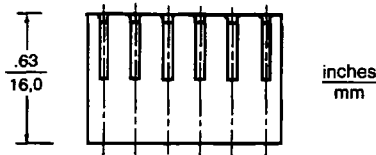
Housing: Polyester, UL 94V-0

Temperature: 0 to +75°C



Preferred Version in the Americas

PCB Connectors



Polarizing Key	Order No. • 15-04-0297
----------------	---------------------------

### ORDERING INFORMATION AND DIMENSIONS

Circuits	Order No.			Dimension A
	With Locking Ramp and Polarizing Ribs	Without Locking Ramp or Polarizing Ribs	With Locking Ramp Only	
2	• 09-50-8023	• 09-50-8020	• 09-50-8021	8.79 (.346)
3	• 09-50-8033	• 09-50-8030	• 09-50-8031	12.75 (.502)
4	• 09-50-8043	• 09-50-8040	• 09-50-8041	16.71 (.658)
5	• 09-50-8053	• 09-50-8050	• 09-50-8051	20.67 (.814)
6	• 09-50-8063	• 09-50-8060	• 09-50-8061	24.64 (.970)
7	• 09-50-8073	• 09-50-8070	• 09-50-8071	28.60 (1.126)
8	• 09-50-8083	• 09-50-8080	• 09-50-8081	32.56 (1.282)
9	• 09-50-8093	• 09-50-8090	• 09-50-8091	36.53 (1.438)
10	• 09-50-8103	• 09-50-8100	• 09-50-8101	40.49 (1.594)
11	• 09-50-8113	• 09-50-8110	• 09-50-8111	44.45 (1.750)

Circuits	Order No.			Dimension A
	With Locking Ramp and Polarizing Ribs	Without Locking Ramp or Polarizing Ribs	With Locking Ramp Only	
12	• 09-50-8123	• 09-50-8120	• 09-50-8121	48.41 (1.906)
13	• 09-50-8133	• 09-50-8130	• 09-50-8131	52.37 (2.062)
14	• 09-50-8143	• 09-50-8140	• 09-50-8141	56.34 (2.218)
15	• 09-50-8153	• 09-50-8150	• 09-50-8151	60.30 (2.374)
16	• 09-50-8163	• 09-50-8160	• 09-50-8161	64.26 (2.530)
17	• 09-50-8173	• 09-50-8170	• 09-50-8171	68.22 (2.686)
18	• 09-50-8183	• 09-50-8180	• 09-50-8181	72.19 (2.842)
19	• 09-50-8193	• 09-50-8190	• 09-50-8191	76.15 (2.998)
20	• 09-50-8203	• 09-50-8200	• 09-50-8201	80.11 (3.154)

• US Standard Product, available through Molex franchised distributors