

Distributed by:

**JAMECO**<sup>®</sup>  
ELECTRONICS

**www.Jameco.com ♦ 1-800-831-4242**

The content and copyrights of the attached  
material are the property of its owner.

Jameco Part Number 48143TI

# SN5490A, SN5492A, SN5493A, SN54LS90, SN54LS92, SN54LS93 SN7490A, SN7492A, SN7493A, SN74LS90, SN74LS92, SN74LS93 DECADE, DIVIDE-BY-TWELVE AND BINARY COUNTERS

SDLS940A – MARCH 1974 – REVISED MARCH 1988

'90A, 'LS90 . . . Decade Counters

'92A, 'LS92 . . . Divide By-Twelve Counters

'93A, 'LS93 . . . 4-Bit Binary Counters

TYPES	TYPICAL POWER DISSIPATION
'90A	145 mW
'92A, '93A	130 mW
'LS90, 'LS92, 'LS93	45 mW

## description

Each of these monolithic counters contains four master-slave flip-flops and additional gating to provide a divide-by-two counter and a three-stage binary counter for which the count cycle length is divide-by-five for the '90A and 'LS90, divide-by-six for the '92A and 'LS92, and the divide-by-eight for the '93A and 'LS93.

All of these counters have a gated zero reset and the '90A and 'LS90 also have gated set-to-nine inputs for use in BCD nine's complement applications.

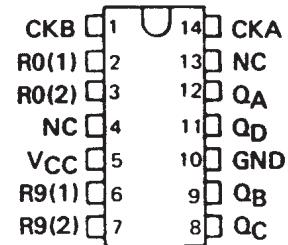
To use their maximum count length (decade, divide-by-twelve, or four-bit binary) of these counters, the CKB input is connected to the  $Q_A$  output. The input count pulses are applied to CKA input and the outputs are as described in the appropriate function table. A symmetrical divide-by-ten count can be obtained from the '90A or 'LS90 counters by connecting the  $Q_D$  output to the CKA input and applying the input count to the CKB input which gives a divide-by-ten square wave at output  $Q_A$ .

SN5490A, SN54LS90 . . . J OR W PACKAGE

SN7490A . . . N PACKAGE

SN74LS90 . . . D OR N PACKAGE

(TOP VIEW)

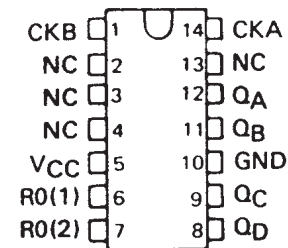


SN5492A, SN54LS92 . . . J OR W PACKAGE

SN7492A . . . N PACKAGE

SN74LS92 . . . D OR N PACKAGE

(TOP VIEW)

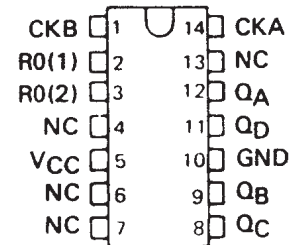


SN5493A, SN54LS93 . . . J OR W PACKAGE

SN7493 . . . N PACKAGE

SN74LS93 . . . D OR N PACKAGE

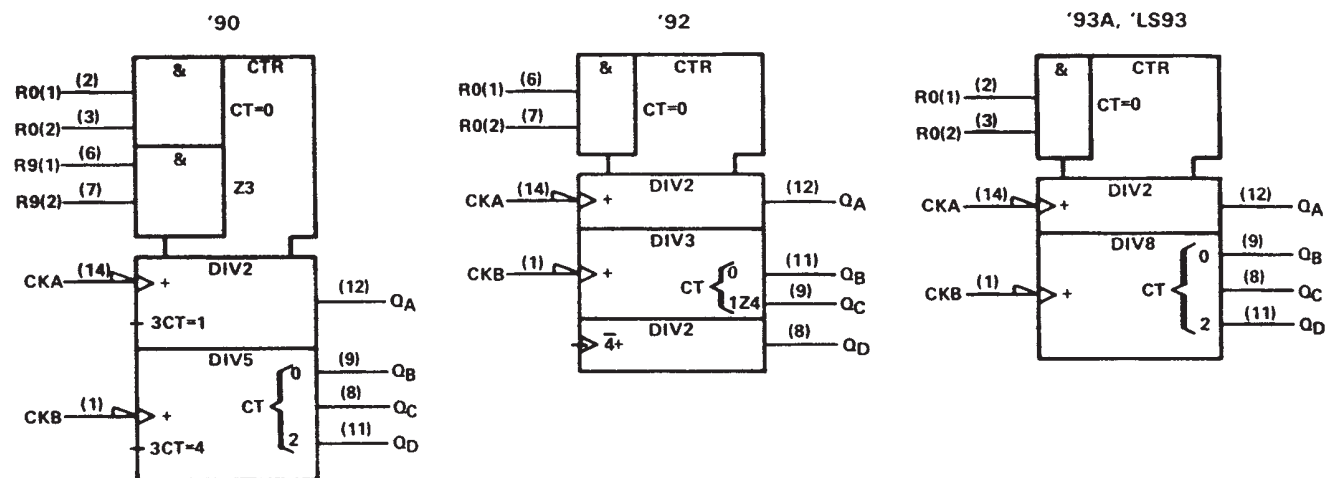
(TOP VIEW)



SN5490A, SN5492A, SN5493A, SN54LS90, SN54LS92, SN54LS93  
 SN7490A, SN7492A, SN7493A, SN74LS90, SN74LS92, SN74LS93  
 DECADE, DIVIDE-BY-TWELVE AND BINARY COUNTERS

SDLS940A – MARCH 1974 – REVISED MARCH 1988

logic symbols†



†These symbols are in accordance with ANSI/IEEE Std. 91-1984 and IEC Publication 617-12.



SN5490A, SN5492A, SN5493A, SN54LS90, SN54LS92, SN54LS93  
 SN7490A, SN7492A, SN7493A, SN74LS90, SN74LS92, SN74LS93  
 DECADE, DIVIDE-BY-TWELVE AND BINARY COUNTERS

SDLS940A - MARCH 1974 - REVISED MARCH 1988

'90A, 'LS90  
 BCD COUNT SEQUENCE  
 (See Note A)

COUNT	OUTPUT			
	Q <sub>D</sub>	Q <sub>C</sub>	Q <sub>B</sub>	Q <sub>A</sub>
0	L	L	L	L
1	L	L	L	H
2	L	L	H	L
3	L	L	H	H
4	L	H	L	L
5	L	H	L	H
6	L	H	H	L
7	L	H	H	H
8	H	L	L	L
9	H	L	L	H

'90A, 'LS90  
 BI-QUINARY (5-2)  
 (See Note B)

COUNT	OUTPUT			
	Q <sub>A</sub>	Q <sub>D</sub>	Q <sub>C</sub>	Q <sub>B</sub>
0	L	L	L	L
1	L	L	L	H
2	L	L	H	L
3	L	L	H	H
4	L	H	L	L
5	H	L	L	L
6	H	L	L	H
7	H	L	H	L
8	H	L	H	H
9	H	H	L	L

'92A, 'LS92  
 COUNT SEQUENCE  
 (See Note C)

COUNT	OUTPUT			
	Q <sub>D</sub>	Q <sub>C</sub>	Q <sub>B</sub>	Q <sub>A</sub>
0	L	L	L	L
1	L	L	L	H
2	L	L	H	L
3	L	L	H	H
4	L	H	L	L
5	L	H	L	H
6	H	L	L	L
7	H	L	L	H
8	H	L	H	L
9	H	L	H	H
10	H	H	L	L
11	H	H	L	H

'90A, 'LS90  
 RESET/COUNT FUNCTION TABLE

RESET INPUTS				OUTPUT			
R <sub>0</sub> (1)	R <sub>0</sub> (2)	R <sub>9</sub> (1)	R <sub>9</sub> (2)	Q <sub>D</sub>	Q <sub>C</sub>	Q <sub>B</sub>	Q <sub>A</sub>
H	H	L	X	L	L	L	L
H	H	X	L	L	L	L	L
X	X	H	H	H	L	L	H
X	L	X	L	COUNT			
L	X	L	X	COUNT			
L	X	X	L	COUNT			
X	L	L	X	COUNT			

'93A, 'LS93  
 COUNT SEQUENCE  
 (See Note C)

COUNT	OUTPUT			
	Q <sub>D</sub>	Q <sub>C</sub>	Q <sub>B</sub>	Q <sub>A</sub>
0	L	L	L	L
1	L	L	L	H
2	L	L	H	L
3	L	L	H	H
4	L	H	L	L
5	L	H	L	H
6	L	H	H	L
7	L	H	H	H
8	H	L	L	L
9	H	L	L	H
10	H	L	H	L
11	H	L	H	H
12	H	H	L	L
13	H	H	L	H
14	H	H	H	L
15	H	H	H	H

'92A, 'LS92, '93A, 'LS93  
 RESET/COUNT FUNCTION TABLE

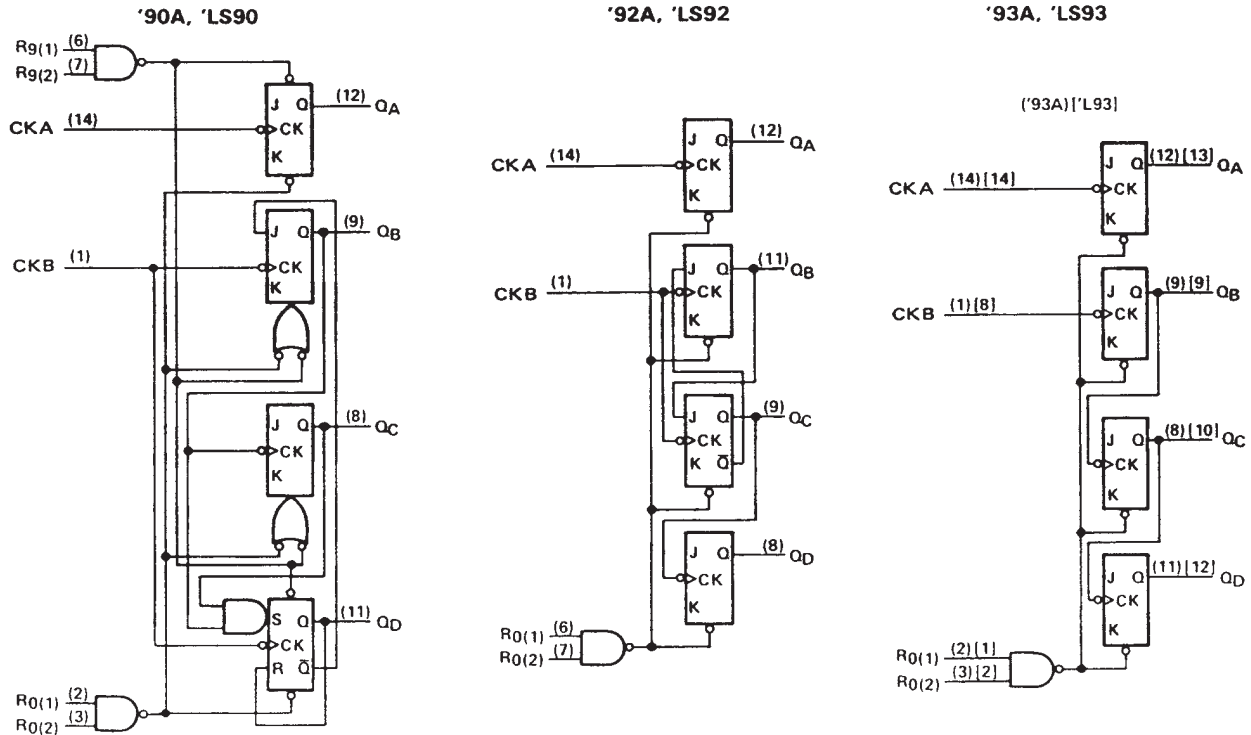
RESET INPUTS		OUTPUT			
R <sub>0</sub> (1)	R <sub>0</sub> (2)	Q <sub>D</sub>	Q <sub>C</sub>	Q <sub>B</sub>	Q <sub>A</sub>
H	H	L	L	L	L
L	X	COUNT			
X	L	COUNT			

- NOTES: A. Output Q<sub>A</sub> is connected to input CKB for BCD count.  
 B. Output Q<sub>D</sub> is connected to input CKA for bi-quinary count.  
 C. Output Q<sub>A</sub> is connected to input CKB.  
 D. H = high level, L = low level, X = irrelevant

# SN5490A, SN5492A, SN5493A, SN54LS90, SN54LS92, SN54LS93 SN7490A, SN7492A, SN7493A, SN74LS90, SN74LS92, SN74LS93 DECADE, DIVIDE-BY-TWELVE AND BINARY COUNTERS

SDLS940A – MARCH 1974 – REVISED MARCH 1988

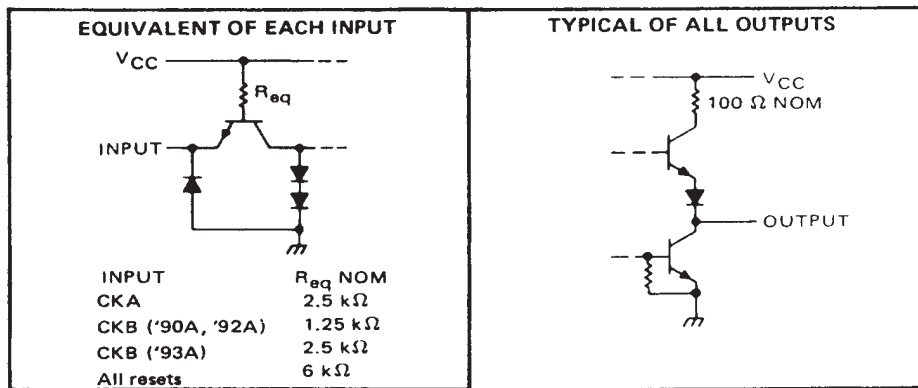
## logic diagrams (positive logic)



The J and K inputs shown without connection are for reference only and are functionally at a high level. Pin numbers shown in ( ) are for the 'LS93 and '93A and pin numbers shown in [ ] are for the 54L93.

## schematics of inputs and outputs

'90A, '92A, '93A

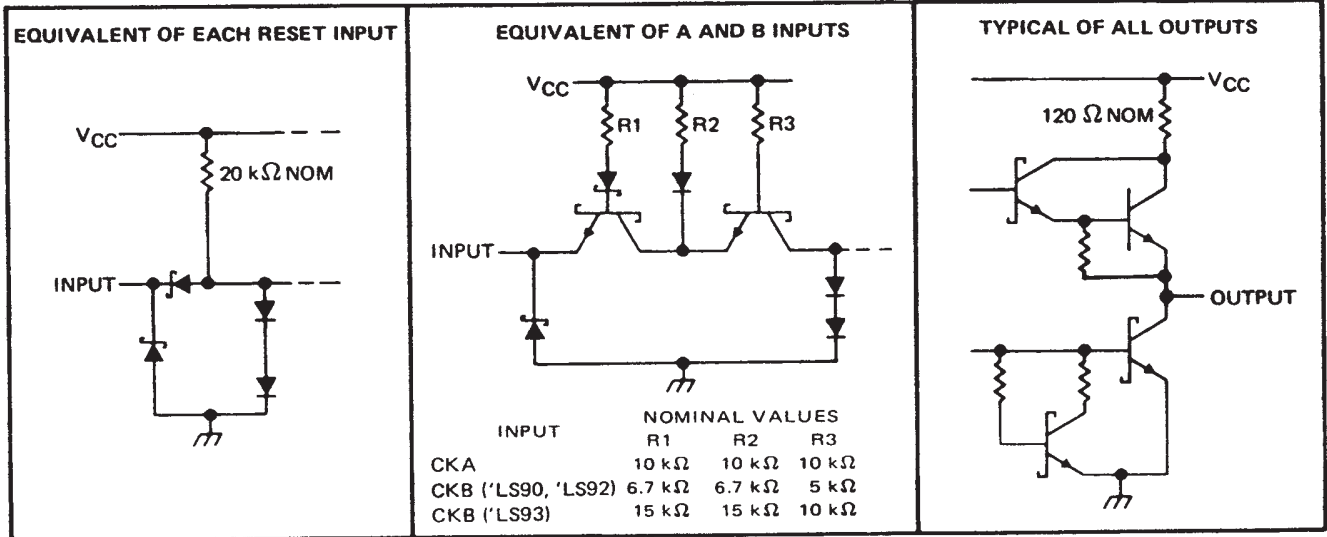


SN5490A, SN5492A, SN5493A, SN54LS90, SN54LS92, SN54LS93  
 SN7490A, SN7492A, SN7493A, SN74LS90, SN74LS92, SN74LS93  
 DECADE, DIVIDE-BY-TWELVE AND BINARY COUNTERS

SDLS940A - MARCH 1974 - REVISED MARCH 1988

schematics of inputs and outputs (continued)

'LS90, 'LS92, 'LS93



# SN5490A, SN5492A, SN5493A, SN54LS90, SN54LS92, SN54LS93 SN7490A, SN7492A, SN7493A, SN74LS90, SN74LS92, SN74LS93 DECADE, DIVIDE-BY-TWELVE AND BINARY COUNTERS

SDLS940A – MARCH 1974 – REVISED MARCH 1988

## absolute maximum ratings over operating free-air temperature range (unless otherwise noted)

Supply voltage, $V_{CC}$ (see Note 1)	7 V
Input voltage	5.5 V
Interemitter voltage (see Note 2)	5.5 V
Operating free-air temperature range: SN5490A, SN5492A, SN5493A	-55°C to 125°C
SN7490A, SN7492A, SN7493A	0°C to 70°C
Storage temperature range	-65°C to 150°C

- NOTES: 1. Voltage values, except interemitter voltage, are with respect to network ground terminal.  
2. This is the voltage between two emitters of a multiple-emitter transistor. For these circuits, this rating applies between the two  $R_0$  inputs, and for the '90A circuit, it also applies between the two  $R_0$  inputs.

## recommended operating conditions

	SN5490A, SN5492A SN5493A			SN7490A, SN7492A SN7493A			UNIT
	MIN	NOM	MAX	MIN	NOM	MAX	
Supply voltage, $V_{CC}$	4.5	5	5.5	4.75	5	5.25	V
High-level output current, $I_{OH}$			-800			-800	$\mu$ A
Low-level output current, $I_{OL}$			16			16	mA
Count frequency, $f_{COUNT}$ (see Figure 1)	A input	0	32	0	32		MHz
	B input	0	16	0	16		
Pulse width, $t_w$	A input	15		15			ns
	B input	30		30			
	Reset inputs	15		15			
Reset inactive-state setup time, $t_{SU}$		25			25		ns
Operating free-air temperature, $T_A$		-55	125		0	70	°C

## electrical characteristics over recommended operating free-air temperature range (unless otherwise noted)

PARAMETER <sup>¶</sup>	TEST CONDITIONS <sup>†</sup>	'90A			'92A			'93A			UNIT
		MIN	TYP <sup>‡</sup>	MAX	MIN	TYP <sup>‡</sup>	MAX	MIN	TYP <sup>‡</sup>	MAX	
$V_{IH}$ High-level input voltage		2			2			2			V
$V_{IL}$ Low-level input voltage				0.8			0.8			0.8	V
$V_{IK}$ Input clamp voltage	$V_{CC} = \text{MIN}, I_I = -12 \text{ mA}$			-1.5			-1.5			-1.5	V
$V_{OH}$ High-level output voltage	$V_{CC} = \text{MIN}, V_{IH} = 2 \text{ V}, V_{IL} = 0.8 \text{ V}, I_{OH} = -800 \mu\text{A}$	2.4	3.4		2.4	3.4		2.4	3.4		V
$V_{OL}$ Low-level output voltage	$V_{CC} = \text{MIN}, V_{IH} = 2 \text{ V}, V_{IL} = 0.8 \text{ V}, I_{OL} = 16 \text{ mA}^{\parallel}$		0.2	0.4		0.2	0.4		0.2	0.4	V
$I_I$ Input current at maximum input voltage	$V_{CC} = \text{MAX}, V_I = 5.5 \text{ V}$			1			1			1	mA
$I_{IH}$ High-level input current	Any reset			40			40			40	$\mu$ A
	CKA	$V_{CC} = \text{MAX}, V_I = 2.4 \text{ V}$		80			80			80	
	CKB			120			120			80	
$I_{IL}$ Low-level input current	Any reset	$V_{CC} = \text{MAX}, V_I = 0.4 \text{ V}$		-1.6			-1.6			-1.6	mA
	CKA			-3.2			-3.2			-3.2	
	CKB			-4.8			-4.8			-3.2	
$I_{OS}$ Short-circuit output current <sup>§</sup>	$V_{CC} = \text{MAX}$	SN54'	-20	-57	-20	-57	-20	-57			mA
		SN74'	-18	-57	-18	-57	-18	-57			
$I_{CC}$ Supply current	$V_{CC} = \text{MAX}, \text{ See Note 3}$		29	42		26	39		26	39	mA

<sup>†</sup> For conditions shown as MIN or MAX, use the appropriate value specified under recommended operating conditions.

<sup>‡</sup> All typical values are at  $V_{CC} = 5 \text{ V}, T_A = 25^\circ\text{C}$ .

<sup>§</sup> Not more than one output should be shorted at a time.

<sup>¶</sup> '90A outputs are tested at  $I_{OL} = 16 \text{ mA}$  plus the limit value for  $I_{IL}$  for the CKB input. This permits driving the CKB input while maintaining full fan-out capability.

NOTE 3:  $I_{CC}$  is measured with all outputs open, both  $R_0$  inputs grounded following momentary connection to 4.5 V, and all other inputs grounded.



SN5490A, SN5492A, SN5493A, SN54LS90, SN54LS92, SN54LS93  
 SN7490A, SN7492A, SN7493A, SN74LS90, SN74LS92, SN74LS93  
 DECADE, DIVIDE-BY-TWELVE AND BINARY COUNTERS

SDLS940A - MARCH 1974 - REVISED MARCH 1988

switching characteristics,  $V_{CC} = 5\text{ V}$ ,  $T_A = 25^\circ\text{C}$

PARAMETER†	FROM (INPUT)	TO (OUTPUT)	TEST CONDITIONS	'90A			'92A			'93A			UNIT
				MIN	TYP	MAX	MIN	TYP	MAX	MIN	TYP	MAX	
$f_{\max}$	CKA	$Q_A$	$C_L = 15\text{ pF}$ , $R_L = 400\ \Omega$ , See Figure 1	32	42		32	42		32	42		MHz
	CKB	$Q_B$		16			16			16			
$t_{PLH}$	CKA	$Q_A$		10	16		10	16		10	16		ns
$t_{PHL}$				12	18		12	18		12	18		
$t_{PLH}$	CKA	$Q_D$		32	48		32	48		46	70		ns
$t_{PHL}$				34	50		34	50		46	70		
$t_{PLH}$	CKB	$Q_B$		10	16		10	16		10	16		ns
$t_{PHL}$				14	21		14	21		14	21		
$t_{PLH}$	CKB	$Q_C$		21	32		10	16		21	32		ns
$t_{PHL}$				23	35		14	21		23	35		
$t_{PLH}$	CKB	$Q_D$		21	32		21	32		34	51		ns
$t_{PHL}$				23	35		23	35		34	51		
$t_{PHL}$	Set-to-0	Any		26	40		26	40		26	40		ns
$t_{PLH}$	Set-to-9	$Q_A, Q_D$		20	30								ns
$t_{PHL}$		$Q_B, Q_C$		26	40								

†  $f_{\max}$  = maximum count frequency  
 $t_{PLH}$  = propagation delay time, low-to-high-level output  
 $t_{PHL}$  = propagation delay time, high-to-low-level output





**SN5490A, SN5492A, SN5493A, SN54LS90, SN54LS92, SN54LS93  
SN7490A, SN7492A, SN7493A, SN74LS90, SN74LS92, SN74LS93  
DECADE, DIVIDE-BY-TWELVE AND BINARY COUNTERS**

SDLS940A – MARCH 1974 – REVISED MARCH 1988

**absolute maximum ratings over operating free-air temperature range (unless otherwise noted)**

Supply voltage, $V_{CC}$ (see Note 1)	7 V
Input voltage: R inputs	7 V
A and B inputs	5.5 V
Operating free-air temperature range: SN54LS' Circuits	-55°C to 125°C
SN74LS' Circuits	0°C to 70°C
Storage temperature range	-65°C to 150°C

NOTE 1: Voltage values are with respect to network ground terminal.

**recommended operating conditions**

	SN54LS90 SN54LS92 SN54LS93			SN74LS90 SN74LS92 SN74LS93			UNIT
	MIN	NOM	MAX	MIN	NOM	MAX	
Supply voltage, $V_{CC}$	4.5	5	5.5	4.75	5	5.25	V
High-level output current, $I_{OH}$			-400			-400	$\mu$ A
Low-level output current, $I_{OL}$			4			8	mA
Count frequency, $f_{count}$ (see Figure 1)	A input	0	32	0		32	MHz
	B input	0	16	0		16	
Pulse width, $t_w$	A input	15		15			ns
	B input	30		30			
	Reset inputs	30		30			
Reset inactive-state setup time, $t_{su}$	25			25			ns
Operating free-air temperature, $T_A$	-55		125	0		70	°C

**electrical characteristics over recommended operating free-air temperature range (unless otherwise noted)**

PARAMETER	TEST CONDITIONS†	SN54LS90 SN54LS92			SN74LS90 SN74LS92			UNIT
		MIN	TYP‡	MAX	MIN	TYP‡	MAX	
$V_{IH}$ High-level input voltage		2			2			V
$V_{IL}$ Low-level input voltage				0.7			0.8	V
$V_{IK}$ Input clamp voltage	$V_{CC} = \text{MIN}, I_I = -18 \text{ mA}$			-1.5			-1.5	V
$V_{OH}$ High-level output voltage	$V_{CC} = \text{MIN}, V_{IH} = 2 \text{ V}, V_{IL} = V_{IL \text{ max}}, I_{OH} = -400 \mu\text{A}$	2.5	3.4		2.7	3.4		V
$V_{OL}$ Low-level output voltage	$V_{CC} = \text{MIN}, V_{IH} = 2 \text{ V}, V_{IL} = V_{IL \text{ max}}, I_{OL} = 4 \text{ mA} \S, I_{OL} = 8 \text{ mA} \parallel$		0.25	0.4		0.25	0.4	V
						0.35	0.5	
$I_I$ Input current at maximum input voltage	Any reset			0.1			0.1	mA
	CKA			0.2			0.2	
	CKB			0.4			0.4	
$I_{IH}$ High-level input current	Any reset			20			20	$\mu$ A
	CKA			40			40	
	CKB			80			80	
$I_{IL}$ Low-level input current	Any reset			-0.4			-0.4	mA
	CKA			-2.4			-2.4	
	CKB			-3.2			-3.2	
$I_{OS}$ Short-circuit output current §	$V_{CC} = \text{MAX}$	-20		-100	-20		-100	mA
$I_{CC}$ Supply current	$V_{CC} = \text{MAX},$ See Note 3	'LS90	9	15	9	15		mA
		'LS92	9	15	9	15		

† For conditions shown as MIN or MAX, use the appropriate value specified under recommended operating conditions.

‡ All typical values are at  $V_{CC} = 5 \text{ V}, T_A = 25^\circ\text{C}$ .

§ Not more than one output should be shorted at a time, and duration of the short-circuit should not exceed one second.

¶  $I_{QA}$  outputs are tested at specified  $I_{OL}$  plus the limit value of  $I_{IL}$  for the CKB input. This permits driving the CKB input while maintaining full fan-out capability.

NOTE 3:  $I_{CC}$  is measured with all outputs open, both  $R_0$  inputs grounded following momentary connection to 4.5 V, and all other inputs grounded.



SN5490A, SN5492A, SN5493A, SN54LS90, SN54LS92, SN54LS93  
 SN7490A, SN7492A, SN7493A, SN74LS90, SN74LS92, SN74LS93  
 DECADE, DIVIDE-BY-TWELVE AND BINARY COUNTERS

SDLS940A - MARCH 1974 - REVISED MARCH 1988

electrical characteristics over recommended operating free-air temperature range (unless otherwise noted)

PARAMETER		TEST CONDITIONS†	SN54LS93			SN74LS93			UNIT
			MIN	TYP‡	MAX	MIN	TYP‡	MAX	
V <sub>IH</sub>	High-level input voltage		2			2			V
V <sub>IL</sub>	Low-level input voltage				0.7			0.8	V
V <sub>IK</sub>	Input clamp voltage	V <sub>CC</sub> = MIN, I <sub>I</sub> = -18 mA			-1.5			-1.5	V
V <sub>OH</sub>	High-level output voltage	V <sub>CC</sub> = MIN, V <sub>IH</sub> = 2 V, V <sub>IL</sub> = V <sub>IL</sub> max, I <sub>OH</sub> = -400 μA	2.5	3.4		2.7	3.4		V
V <sub>OL</sub>	Low-level output voltage	V <sub>CC</sub> = MIN, V <sub>IH</sub> = 2 V, V <sub>IL</sub> = V <sub>IL</sub> max	I <sub>OL</sub> = 4 mA¶		0.25	0.4	0.25 0.4		V
			I <sub>OL</sub> = 8 mA¶				0.35 0.5		
I <sub>I</sub>	Input current at maximum input voltage	Any reset	V <sub>CC</sub> = MAX, V <sub>I</sub> = 7 V		0.1			0.1	mA
		CKA or CKB	V <sub>CC</sub> = MAX, V <sub>I</sub> = 5.5 V		0.2			0.2	
I <sub>IH</sub>	High-level input current	Any reset	V <sub>CC</sub> = MAX, V <sub>I</sub> = 2.7 V		20			20	μA
		CKA or CKB			40			80	
I <sub>IL</sub>	Low-level input current	Any reset	V <sub>CC</sub> = MAX, V <sub>I</sub> = 0.4 V		-0.4			-0.4	mA
		CKA			-2.4			-2.4	
		CKB			-1.6			-1.6	
I <sub>OS</sub>	Short-circuit output current §	V <sub>CC</sub> = MAX	-20	-100	-20	-100			mA
I <sub>CC</sub>	Supply current	V <sub>CC</sub> = MAX, See Note 3	9 15		9 15				mA

† For conditions shown as MIN or MAX, use the appropriate value specified under recommended operating conditions.

‡ All typical values are at V<sub>CC</sub> = 5 V, T<sub>A</sub> = 25°C.

§ Not more than one output should be shorted at a time, and duration of the short-circuit should not exceed one second.

¶ Q<sub>A</sub> outputs are tested at specified I<sub>OL</sub> plus the limit value for I<sub>IL</sub> for the CKB input. This permits driving the CKB input while maintaining full fan-out capability.

NOTE 3: I<sub>CC</sub> is measured with all outputs open, both R<sub>0</sub> inputs grounded following momentary connection to 4.5 V, and all other inputs grounded.

switching characteristics, V<sub>CC</sub> = 5 V, T<sub>A</sub> = 25°C

PARAMETER#	FROM (INPUT)	TO (OUTPUT)	TEST CONDITIONS	'LS90			'LS92			'LS93			UNIT
				MIN	TYP	MAX	MIN	TYP	MAX	MIN	TYP	MAX	
f <sub>max</sub>	CKA	Q <sub>A</sub>	C <sub>L</sub> = 15 pF, R <sub>L</sub> = 2 kΩ See Figure 1	32	42		32	42		32	42		MHz
	CKB	Q <sub>B</sub>		16			16			16			
t <sub>PLH</sub>	CKA	Q <sub>A</sub>		10	16		10	16		10	16		ns
t <sub>PHL</sub>				12	18		12	18		12	18		
t <sub>PLH</sub>	CKA	Q <sub>D</sub>		32	48		32	48		46	70		ns
t <sub>PHL</sub>				34	50		34	50		46	70		
t <sub>PLH</sub>	CKB	Q <sub>B</sub>		10	16		10	16		10	16		ns
t <sub>PHL</sub>				14	21		14	21		14	21		
t <sub>PLH</sub>	CKB	Q <sub>C</sub>		21	32		10	16		21	32		ns
t <sub>PHL</sub>				23	35		14	21		23	35		
t <sub>PLH</sub>	CKB	Q <sub>D</sub>		21	32		21	32		34	51		ns
t <sub>PHL</sub>				23	35		23	35		34	51		
t <sub>PHL</sub>	Set-to-0	Any		26	40		26	40		26	40		ns
t <sub>PLH</sub>	Set-to-9	Q <sub>A</sub> , Q <sub>D</sub>		20	30								ns
t <sub>PHL</sub>		Q <sub>B</sub> , Q <sub>C</sub>		26	40								

#f<sub>max</sub> = maximum count frequency

t<sub>PLH</sub> = propagation delay time, low-to-high-level output

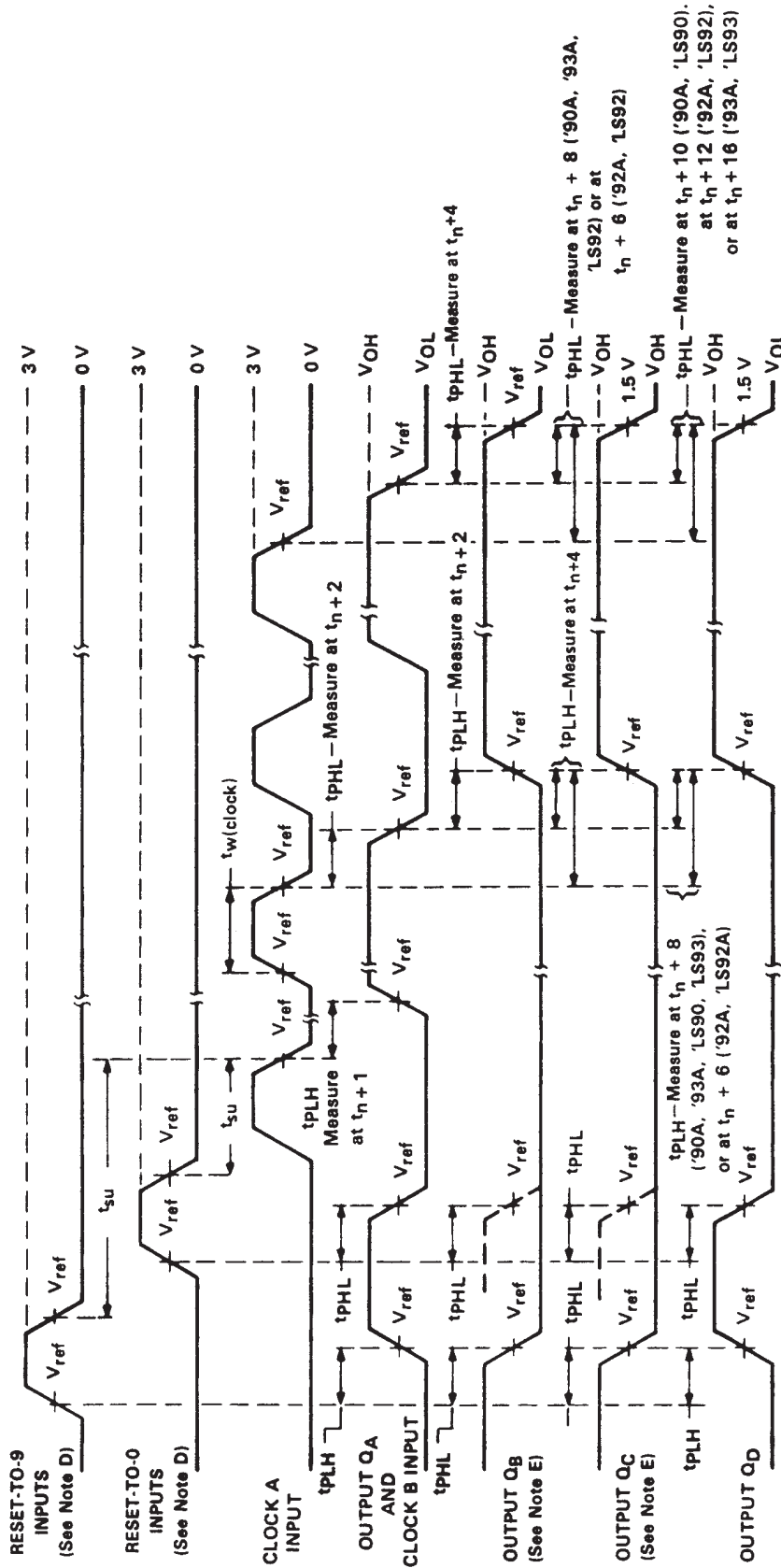
t<sub>PHL</sub> = propagation delay time, high-to-low-level output



SN5490A, SN5492A, SN5493A, SN54LS90, SN54LS92, SN54LS93  
 SN7490A, SN7492A, SN7493A, SN74LS90, SN74LS92, SN74LS93  
 DECADE, DIVIDE-BY-TWELVE AND BINARY COUNTERS

SDLS940A – MARCH 1974 – REVISED MARCH 1988

PARAMETER MEASUREMENT INFORMATION



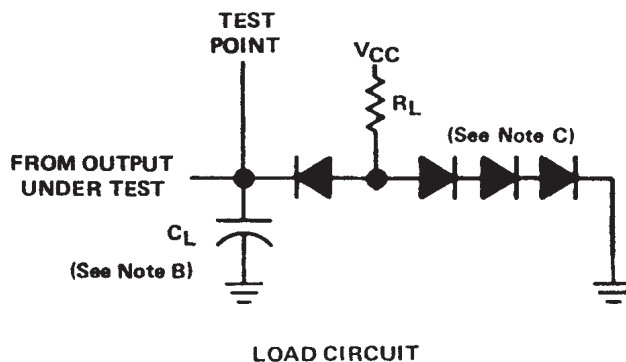
NOTES: A. Input pulses are supplied by a generator having the following characteristics:

- for '90A, '92A, '93A,  $t_r \leq 5$  ns,  $t_f \leq 5$  ns, PRR = 1 MHz, duty cycle = 50%,  $Z_{out} \approx 50$  ohms;
- for 'LS90, 'LS92, 'LS93,  $t_r \leq 15$  ns,  $t_f \leq 5$  ns, PRR = 1 MHz, duty cycle = 50%,  $Z_{out} \approx 50$  ohms.
- B.  $C_L$  includes probe and jig capacitance.
- C. All diodes are 1N3064 or equivalent.
- D. Each reset input is tested separately with the other reset at 4.5 V.
- E. Reference waveforms are shown with dashed lines.
- F. For '90A, '92A, and '93A;  $V_{ref} = 1.5$  V. For 'LS90, 'LS92, and 'LS93;  $V_{ref} = 1.3$  V.

FIGURE 1A



PARAMETER MEASUREMENT INFORMATION



- NOTES: A. Input pulses are supplied by a generator having the following characteristics:  
for '90A, '92A, '93A,  $t_r \leq 5$  ns,  $t_f \leq 5$  ns, PRR = 1 MHz, duty cycle = 50%,  $Z_{out} \approx 50$  ohms;  
for 'LS90, 'LS92, 'LS93,  $t_r \leq 15$  ns,  $t_f \leq 5$  ns, PRR = 1 MHz, duty cycle = 50%,  $Z_{out} \approx 50$  ohms.
- B.  $C_L$  includes probe and jig capacitance.
- C. All diodes are 1N3064 or equivalent.
- D. Each reset input is tested separately with the other reset at 4.5 V.
- E. Reference waveforms are shown with dashed lines.
- F. For '90A, '92A, and '93A;  $V_{ref} = 1.5$  V. For 'LS90, 'LS92, and 'LS93;  $V_{ref} = 1.3$  V.

FIGURE 1B

## **IMPORTANT NOTICE**

Texas Instruments and its subsidiaries (TI) reserve the right to make changes to their products or to discontinue any product or service without notice, and advise customers to obtain the latest version of relevant information to verify, before placing orders, that information being relied on is current and complete. All products are sold subject to the terms and conditions of sale supplied at the time of order acknowledgement, including those pertaining to warranty, patent infringement, and limitation of liability.

TI warrants performance of its semiconductor products to the specifications applicable at the time of sale in accordance with TI's standard warranty. Testing and other quality control techniques are utilized to the extent TI deems necessary to support this warranty. Specific testing of all parameters of each device is not necessarily performed, except those mandated by government requirements.

**CERTAIN APPLICATIONS USING SEMICONDUCTOR PRODUCTS MAY INVOLVE POTENTIAL RISKS OF DEATH, PERSONAL INJURY, OR SEVERE PROPERTY OR ENVIRONMENTAL DAMAGE ("CRITICAL APPLICATIONS"). TI SEMICONDUCTOR PRODUCTS ARE NOT DESIGNED, AUTHORIZED, OR WARRANTED TO BE SUITABLE FOR USE IN LIFE-SUPPORT DEVICES OR SYSTEMS OR OTHER CRITICAL APPLICATIONS. INCLUSION OF TI PRODUCTS IN SUCH APPLICATIONS IS UNDERSTOOD TO BE FULLY AT THE CUSTOMER'S RISK.**

In order to minimize risks associated with the customer's applications, adequate design and operating safeguards must be provided by the customer to minimize inherent or procedural hazards.

TI assumes no liability for applications assistance or customer product design. TI does not warrant or represent that any license, either express or implied, is granted under any patent right, copyright, mask work right, or other intellectual property right of TI covering or relating to any combination, machine, or process in which such semiconductor products or services might be or are used. TI's publication of information regarding any third party's products or services does not constitute TI's approval, warranty or endorsement thereof.