

Distributed by:

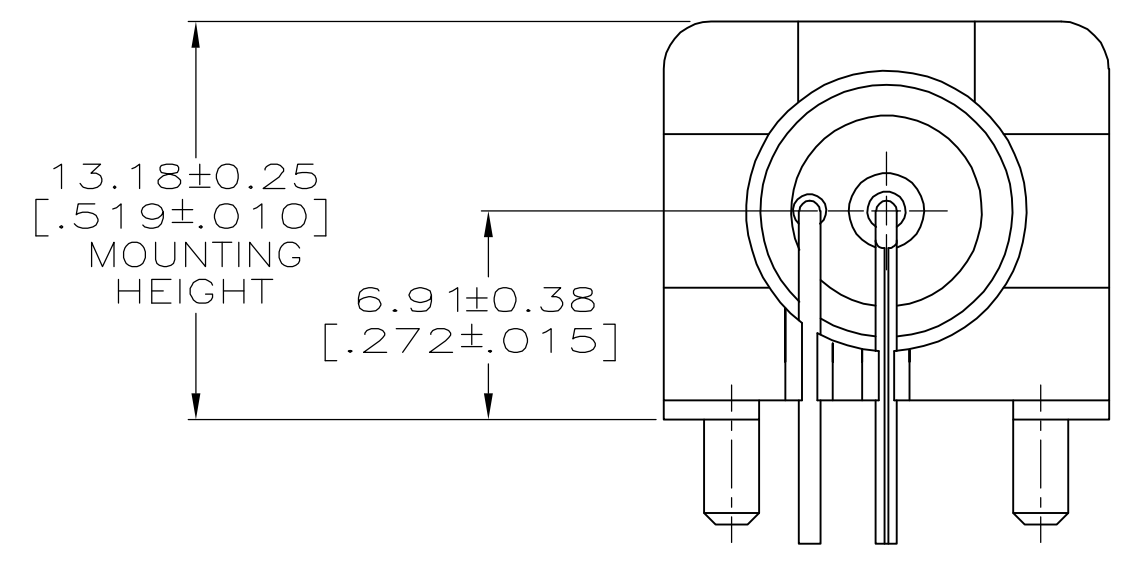
JAMECO[®]
ELECTRONICS

www.Jameco.com ♦ 1-800-831-4242

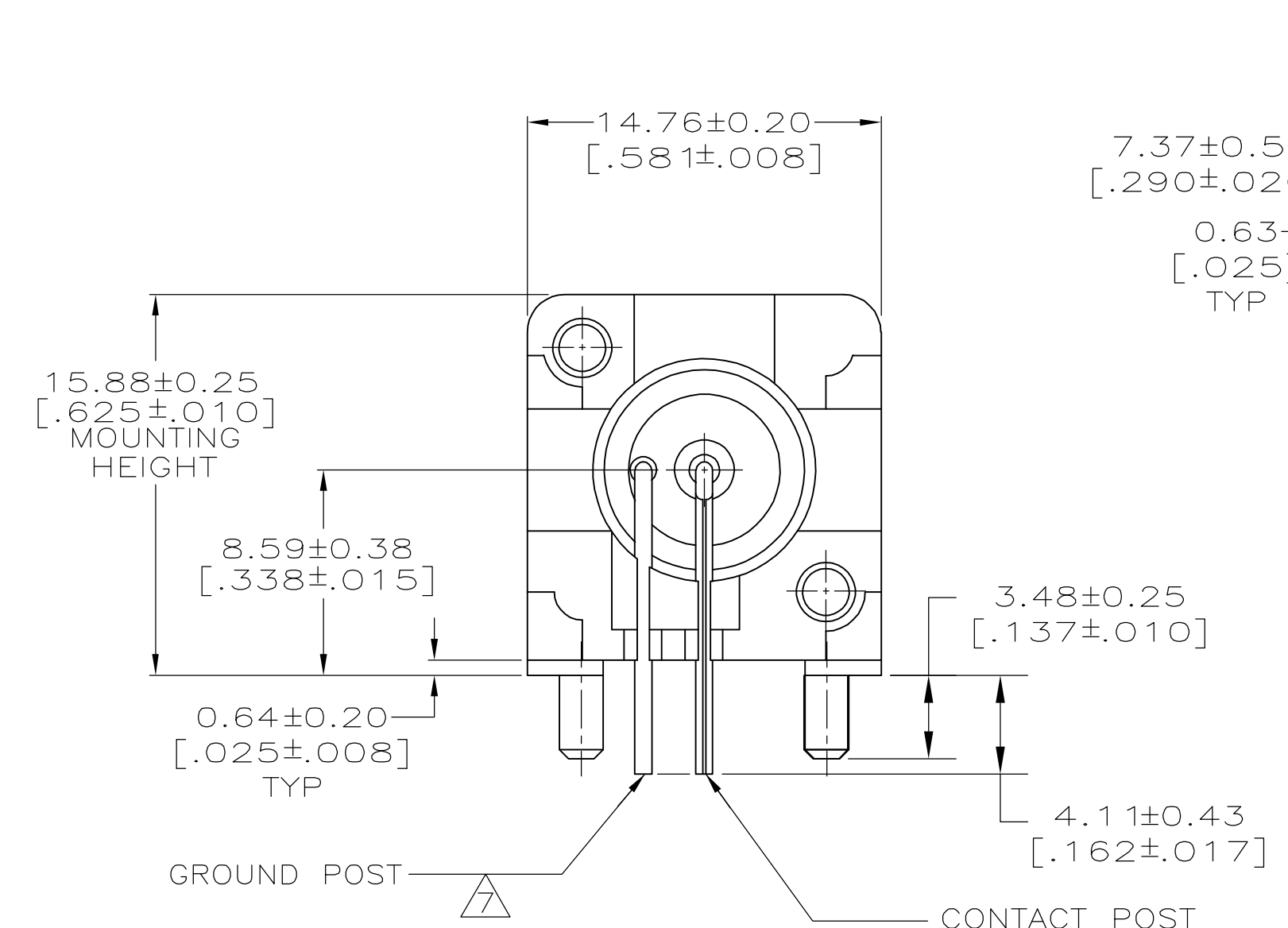
The content and copyrights of the attached
material are the property of its owner.

Jameco Part Number 493909

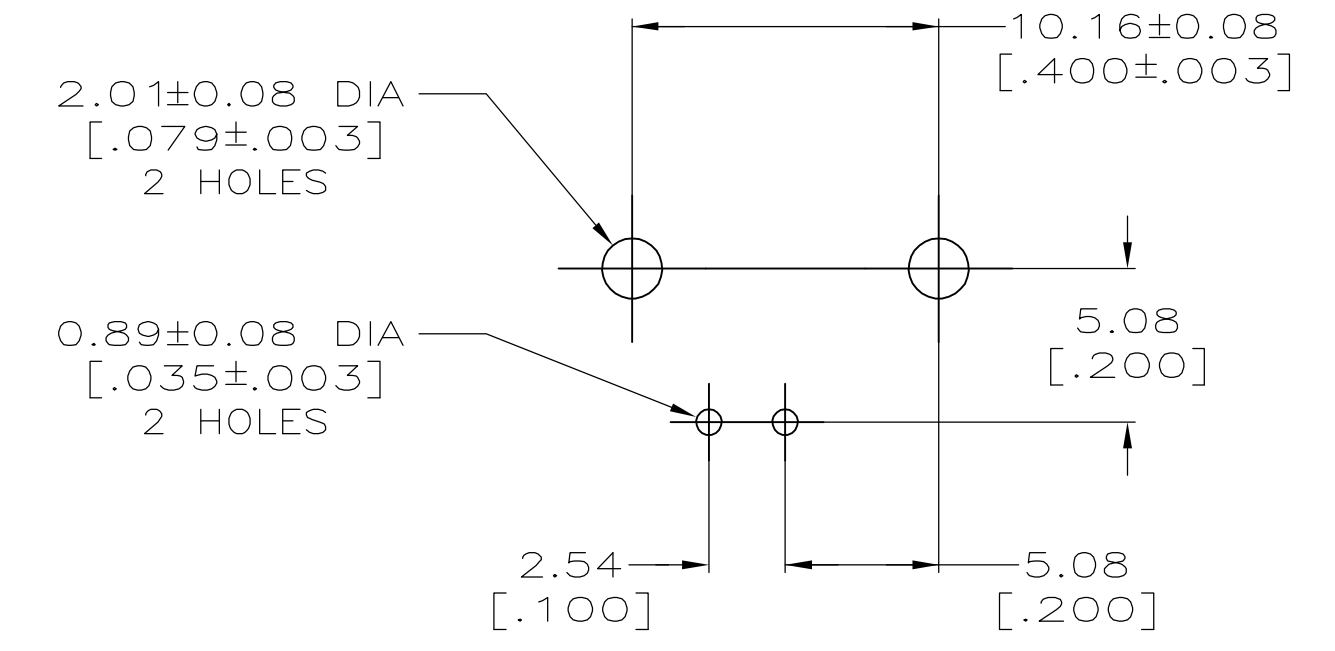
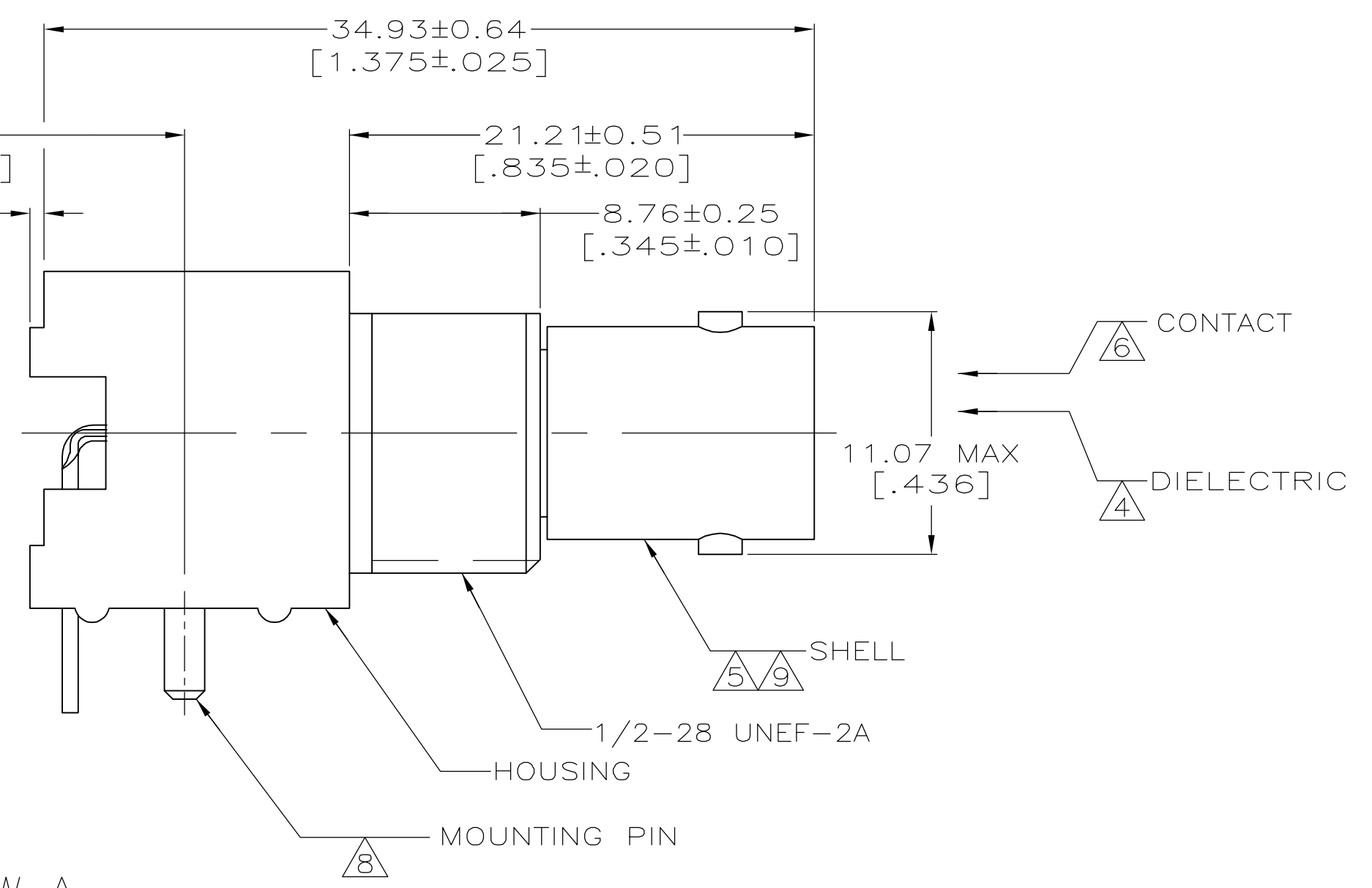
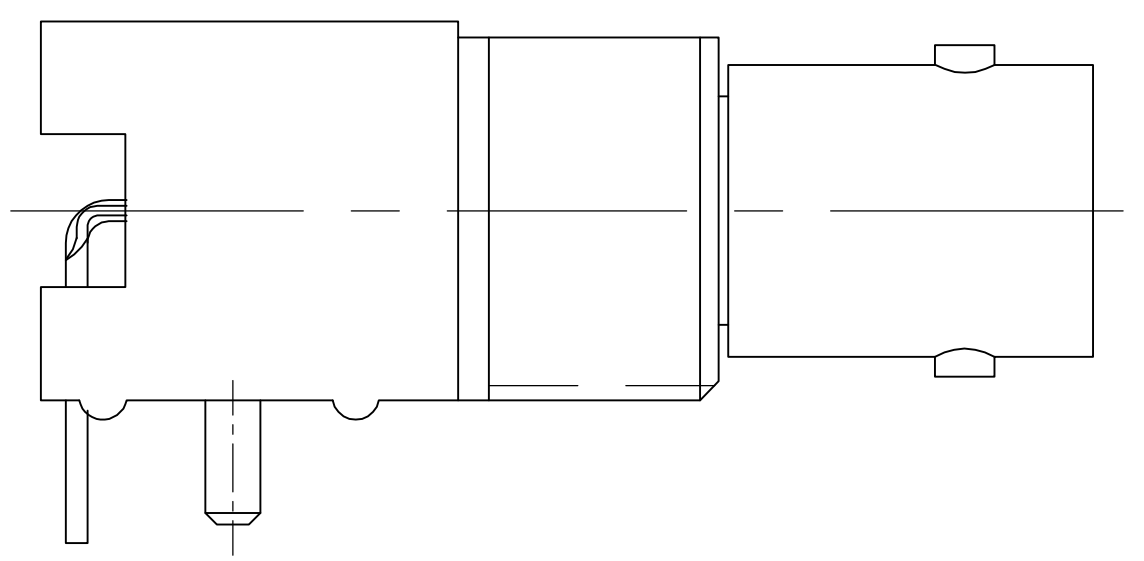
LOC	DIST	REVISIONS			
F	LTR	DESCRIPTION	DATE	DWN	APVD
AJ	16	AE	REVISED PER EC OS14-0453-04	09MAY05	BM JL



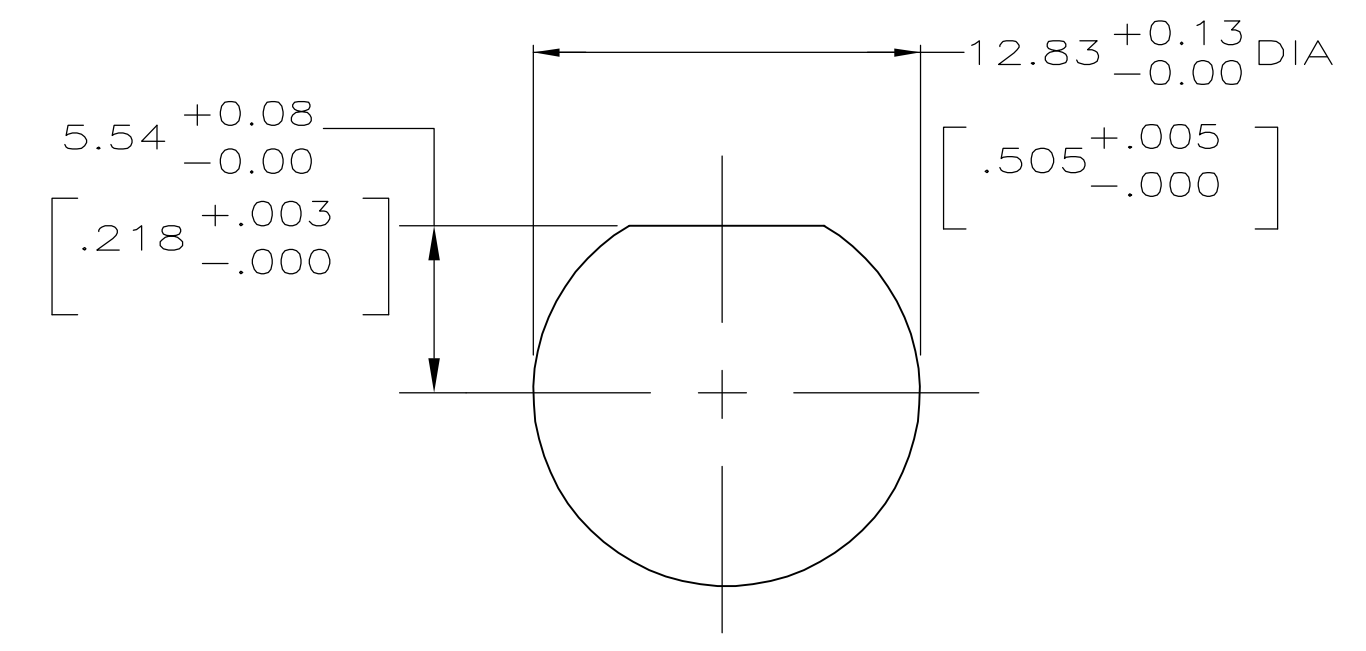
VIEW C
(SAME AS VIEW A EXCEPT AS SHOWN)



VIEW A

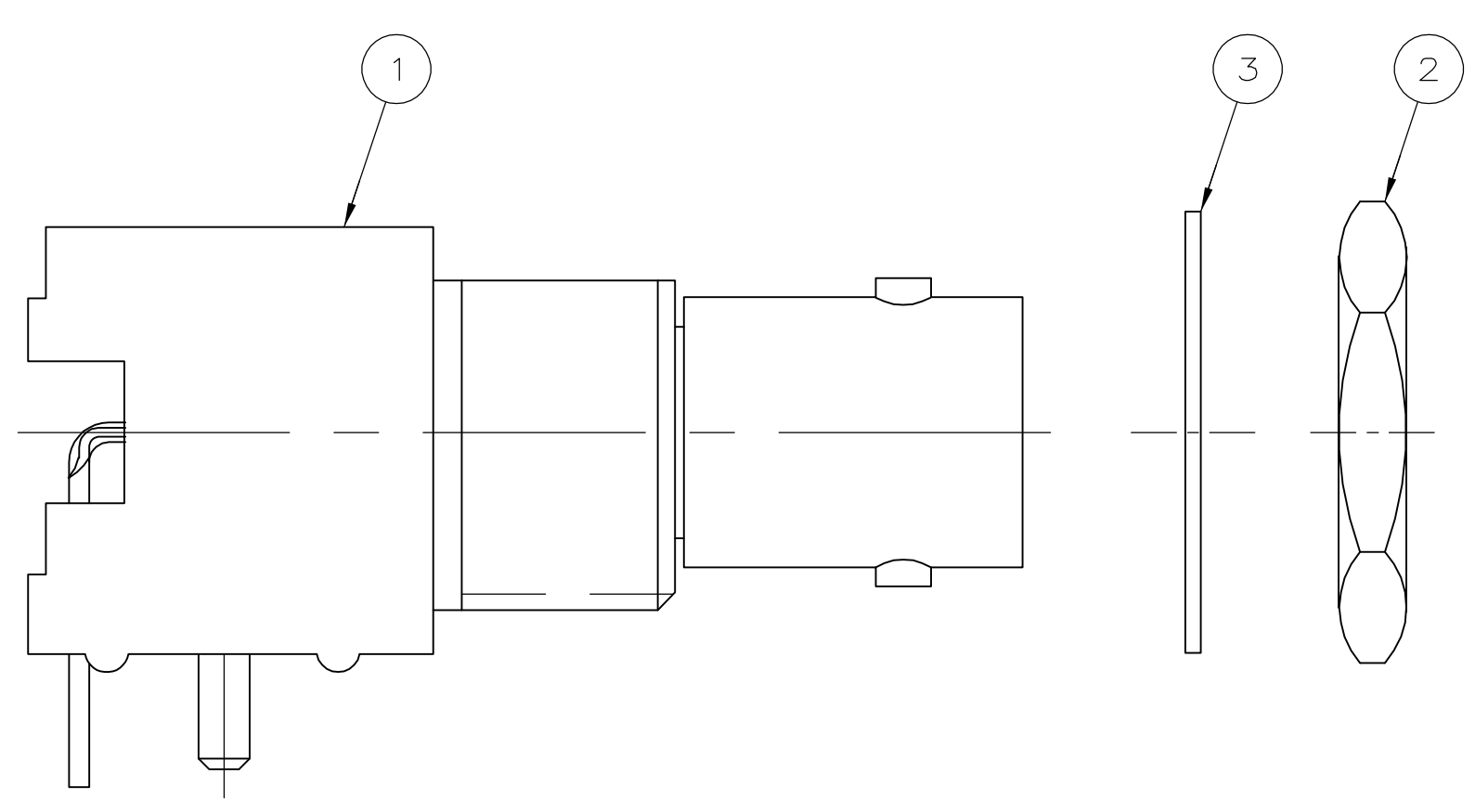


PCB CONFIGURATION



RECOMMENDED PANEL CUTOUT

- 1 POLYESTER PBT PER MIL-M-24519, TYPE GPT-15F, UL94V-0 RATED, COLOR:WHITE
- 2 POLYESTER PBT PER MIL-M-24519, TYPE GPT-15F, UL94V-0 RATED, COLOR:BLACK
- 3 POLYESTER PCT GENERAL PURPOSE, 30% GLASS FILLED, UL94V-0 RATED, COLOR:GRAY
- 4 POLYMETHYLPENTENE, GENERAL PURPOSE.
- 5 ZINC PER QQ-Z-363.
- 6 PHOSPHOR BRONZE PER QQ-B-750.
- 7 BRASS PER ASTM-B-453.
- 8 BRASS PER ASTM-B-16.
- 9 NICKEL PLATE PER QQ-N-290, 3.81 μm [.000150] MINIMUM THICK.
- 10 TIN PLATE PER ASTM-B-545, 3.81 μm [.000150] MINIMUM THICK.
- 11 GOLD PLATE PER MIL-G-45204, 0.76 μm [.000030] MINIMUM THICK.
- 12 GOLD PLATE PER MIL-G-45204, 1.27 μm [.000050] MINIMUM THICK.
- 13 SILVER PLATE PER QQ-S-365, 2.54 μm [.000100] MINIMUM THICK.
- 14 TIN PLATE PER ASTM-B-545, 3.81 μm [.000150] MINIMUM THICK.
- 15. SEE INSTRUCTION SHEET 2769.



VIEW B

OBSOLETE
 SUPSD BY 415218-5 OR 415218-6
 SUPERSEDED BY 227161-7
 SUPERSEDED BY 227161-7
 OBSOLETE
 SUPERSEDED BY 227161-7
 SUPERSEDED BY 227161-3
 SUPERSEDED BY 227161-6

14	14	14	14	2	A	-	-	-	9-227161-1
14	14	14	14	1	A	-	-	-	9-227161-0
10	10	10	-	-	B	1-329632-2	1-329631-2	227161-9	1-227161-7
10	10	10	-	-	B	1-329632-2	1-329631-2	227161-6	1-227161-6
10	10	10	12	1	A	-	-	-	1-227161-4
10	10	10	11	3	C	-	-	-	1-227161-3
10	10	10	-	-	B	1-329632-2	1-329631-2	1-227161-1	1-227161-2
10	10	10	11	1	C	-	-	-	1-227161-1
10	10	10	-	-	B	1-329632-2	1-329631-2	227161-3	1-227161-0
10	10	10	11	2	C	-	-	-	227161-9
10	10	10	-	-	B	1-329632-2	1-329631-2	227161-7	227161-8
10	10	10	11	1	C	-	-	-	227161-7
10	10	10	11	2	A	-	-	-	227161-6
10	10	10	13	1	A	-	-	-	227161-5
10	10	10	13	2	A	-	-	-	227161-4
10	10	10	11	1	A	-	-	-	227161-3
10	10	10	10	1	A	-	-	-	227161-2
10	10	10	10	1	A	-	-	-	227161-1
MOUNTING PIN PLATING	GROUND POST PLATING	CONTACT POST PLATING	CONTACT FINISH	HOUSING MATERIAL	VIEW	3 LOCKWASHER	2 JAM NUT QTY=1	1 ASSEMBLY QTY=1	PART NUMBER

THIS DRAWING IS A CONTROLLED DOCUMENT.

DIMENSIONS: INCHES

TOLERANCES UNLESS OTHERWISE SPECIFIED:

0 PLC	± .005
1 PLC	± .005
2 PLC	± .005
3 PLC	± .005
4 PLC	± .005
ANGLES	± .005

MATERIAL:

FINISH:

DWN: J. LIPPERT 5-2-91
 CHK: M. E. COWHER 5-6-91
 APVD: J. LIPPERT 05-09-91

NAME: JACK, RIGHT ANGLE, 50 OHM, PCB, BNC

PRODUCT SPEC: 108-12078

APPLICATION SPEC: -

SIZE: A1 CAGE CODE: 00779 DRAWING NO: 227161

RESTRICTED TO: -

CUSTOMER DRAWING SCALE: 4:1 SHEET: 1 OF 1 REV: AE