

Distributed by:

**JAMECO**<sup>®</sup>  
ELECTRONICS

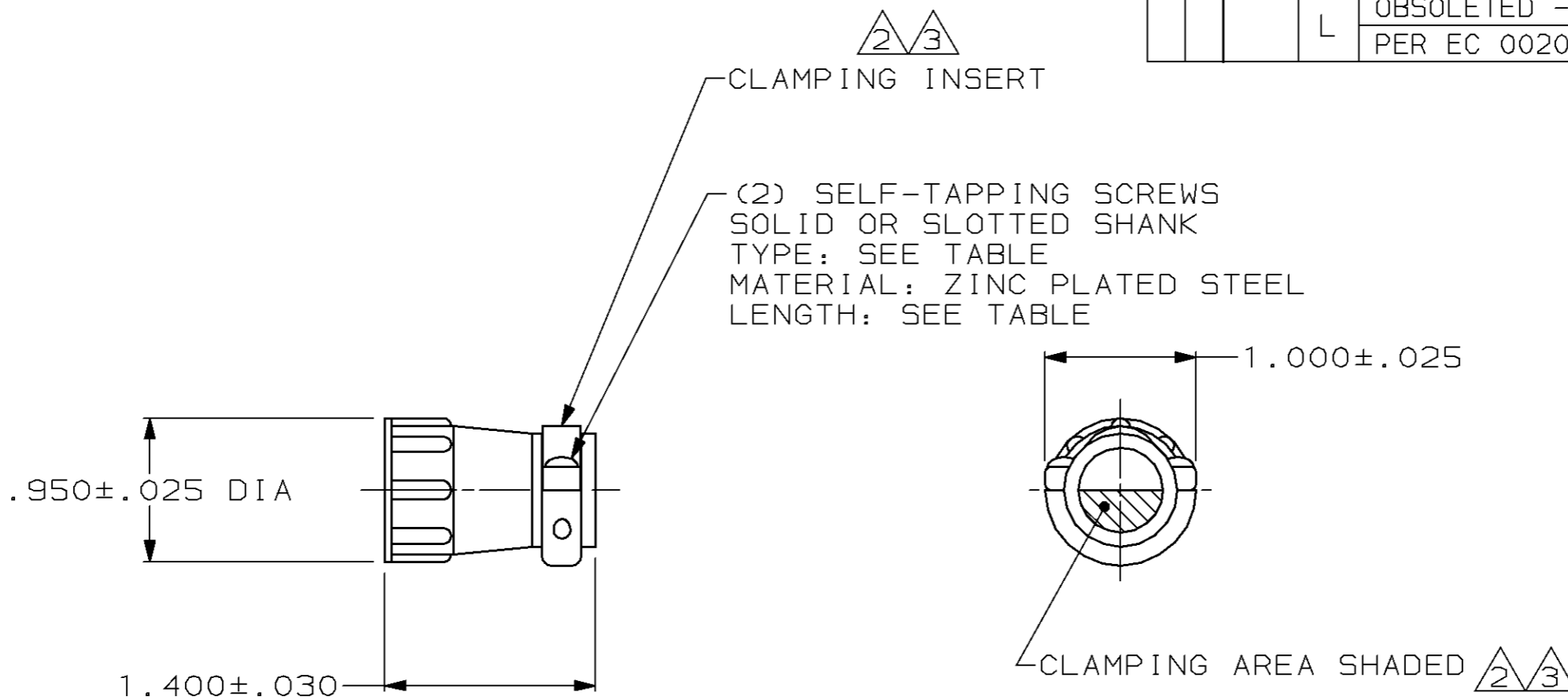
**www.Jameco.com ♦ 1-800-831-4242**

The content and copyrights of the attached  
material are the property of its owner.

Jameco Part Number 494055

THIS DRAWING IS UNPUBLISHED. RELEASED FOR PUBLICATION ,19 .  
 © COPYRIGHT 19 BY AMP INCORPORATED. ALL INTERNATIONAL RIGHTS RESERVED.

LOC	DIST	P	F	ZONE	LTR	DESCRIPTION	DATE	APPD
FT	4				K	OBSOLETE -4 PER EC 0020-1564-93	08/10/94	AF
					L	OBSOLETE -5 PER EC 0020-559-96	03 JAN 97	TW



PACKAGING	SCREW LENGTH	SCREW TYPE	PART NUMBER
SMALL PACK	.500	#5-20	206966-6
AMP BRAZIL USE ONLY	INDIVIDUAL	12mm	3mm-20
	INDIVIDUAL	.500	#5-20
	BULK	.500	#5-20
	INDIVIDUAL	.500	#5-20

- PARTS PACKAGED UNASSEMBLED.
- CABLE CLAMPING AREA ADJUSTABLE FROM .010 TO .161 SQ IN BY REVERSING CLAMPING INSERTS. (2 INSERTS SUPPLIED, -1 AND -2 ONLY)
- CABLE CLAMPING AREA ADJUSTABLE FROM .010 TO .161 SQ IN BY CHANGING CLAMPING INSERTS. (4 INSERTS SUPPLIED, -4 ONLY)
- .453 MAXIMUM CABLE OUTSIDE DIAMETER.
- BULK PACKAGED KITS TO BE ORDERED IN MULTIPLES OF 200 ONLY.
- OBSOLETE PART NUMBER.

DO NOT SCALE PRINT. UNLESS SPECIFIED DIMENSIONS IN INCHES TOLERANCES ON: 2 PLC DEC ± - 3 PLC DEC ± - ANGLES ± -	DR 4/23/91 A GRAFF CHK 7-23-92 W.G.LENKER APPD 7-23-92 K.BEAVER APPD 7-23-92 C.ROHDE PRODUCT SPEC 108-10024 APPLICATION SPEC - WEIGHT -	<p><b>AMP</b> AMP Incorporated Harrisburg, PA 17105-3608</p> <p>NAME CABLE CLAMP KIT, STANDARD, SHELL SIZE 13, CPC</p> <p>SIZE <b>B</b> CAGE CODE 00779 DRAWING NO 206966 SCALE 1:1 SHEET 1 OF 1</p>
--	---	--