

Distributed by:

**JAMECO**<sup>®</sup>  
ELECTRONICS

**www.Jameco.com ♦ 1-800-831-4242**

The content and copyrights of the attached  
material are the property of its owner.

Jameco Part Number 49496TI

# SN54147, SN54148, SN54LS147, SN54LS148 SN74147, SN74148 (TIM9907), SN74LS147, SN74LS148 10-LINE TO 4-LINE AND 8-LINE TO 3-LINE PRIORITY ENCODERS

SDLS053A - OCTOBER 1976 - REVISED FEBRUARY 2001

- '147, 'LS147**
- Encodes 10-Line Decimal to 4-Line BCD
  - Applications Include:
    - Keyboard Encoding
    - Range Selection

- '148, 'LS148**
- Encodes 8 Data Lines to 3-Line Binary (Octal)
  - Applications Include:
    - N-Bit Encoding
    - Code Converters and Generators

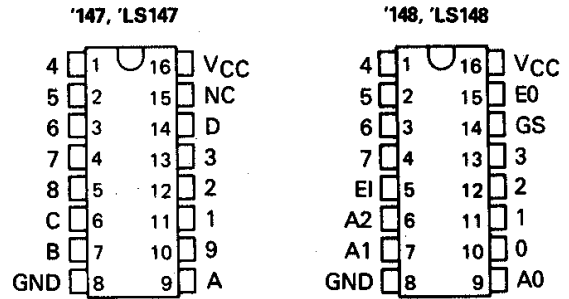
TYPE	TYPICAL DATA DELAY	TYPICAL POWER DISSIPATION
'147	10 ns	225 mW
'148	10 ns	190 mW
'LS147	15 ns	60 mW
'LS148	15 ns	60 mW

## description

These TTL encoders feature priority decoding of the inputs to ensure that only the highest-order data line is encoded. The '147 and 'LS147 encode nine data lines to four-line (8-4-2-1) BCD. The implied decimal zero condition requires no input condition as zero is encoded when all nine data lines are at a high logic level. The '148 and 'LS148 encode eight data lines to three-line (4-2-1) binary (octal). Cascading circuitry (enable input EI and enable output EO) has been provided to allow octal expansion without the need for external circuitry. For all types, data inputs and outputs are active at the low logic level. All inputs are buffered to represent one normalized Series 54/74 or 54LS/74LS load, respectively.

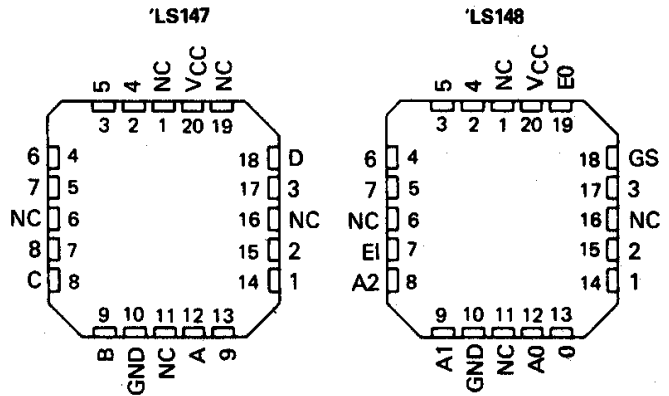
**SN54147, SN54LS147,  
SN54148, SN54LS148 . . . J OR W PACKAGE  
SN74147, SN74148 . . . N PACKAGE  
SN74LS147, SN74LS148 . . . D OR N PACKAGE**

(TOP VIEW)



**SN54LS147, SN54LS148 . . . FK PACKAGE**

(TOP VIEW)



NC - No internal connection

**'147, 'LS147  
FUNCTION TABLE**

INPUTS									OUTPUTS			
1	2	3	4	5	6	7	8	9	D	C	B	A
H	H	H	H	H	H	H	H	H	H	H	H	H
X	X	X	X	X	X	X	X	L	L	H	H	L
X	X	X	X	X	X	X	L	H	L	H	H	H
X	X	X	X	X	L	H	H	H	H	L	L	L
X	X	X	X	L	H	H	H	H	H	L	L	H
X	X	X	L	H	H	H	H	H	H	L	H	H
X	X	L	H	H	H	H	H	H	H	H	L	L
X	L	H	H	H	H	H	H	H	H	H	L	H
L	H	H	H	H	H	H	H	H	H	H	H	L

H = high logic level, L = low logic level, X = irrelevant

**'148, 'LS148  
FUNCTION TABLE**

EI	INPUTS							OUTPUTS					
	0	1	2	3	4	5	6	7	A2	A1	A0	GS	EO
H	X	X	X	X	X	X	X	X	H	H	H	H	H
L	H	H	H	H	H	H	H	H	H	H	H	H	L
L	X	X	X	X	X	X	L	H	L	L	L	L	H
L	X	X	X	X	X	L	H	H	L	H	L	L	H
L	X	X	X	X	L	H	H	H	L	H	H	L	H
L	X	X	X	L	H	H	H	H	H	L	L	L	H
L	X	X	L	H	H	H	H	H	H	L	H	L	H
L	X	L	H	H	H	H	H	H	H	H	L	L	H
L	L	H	H	H	H	H	H	H	H	H	H	L	H

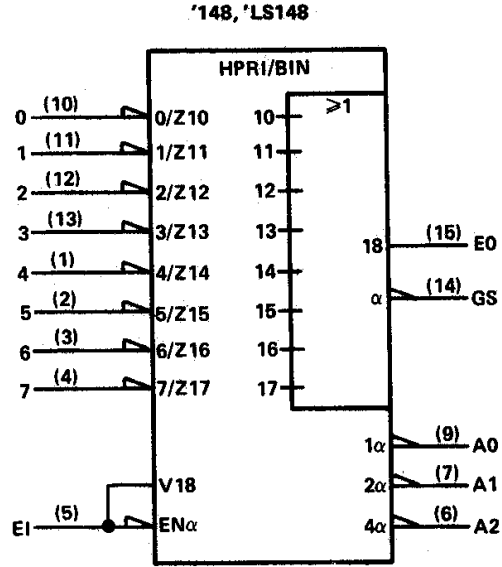
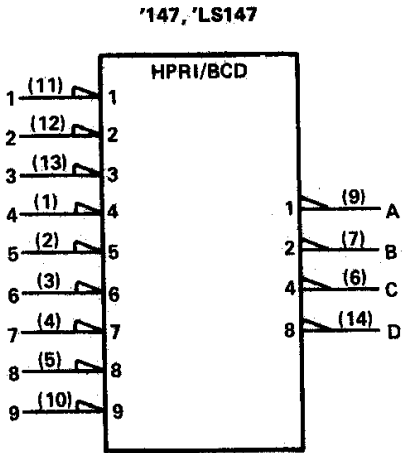
PRODUCTION DATA information is current as of publication date. Products conform to specifications per the terms of Texas Instruments standard warranty. Production processing does not necessarily include testing of all parameters.



SN54147, SN54148, SN54LS147, SN54LS148  
 SN74147, SN74148 (TIM9907), SN74LS147, SN74LS148  
 10-LINE TO 4-LINE AND 8-LINE TO 3-LINE PRIORITY ENCODERS

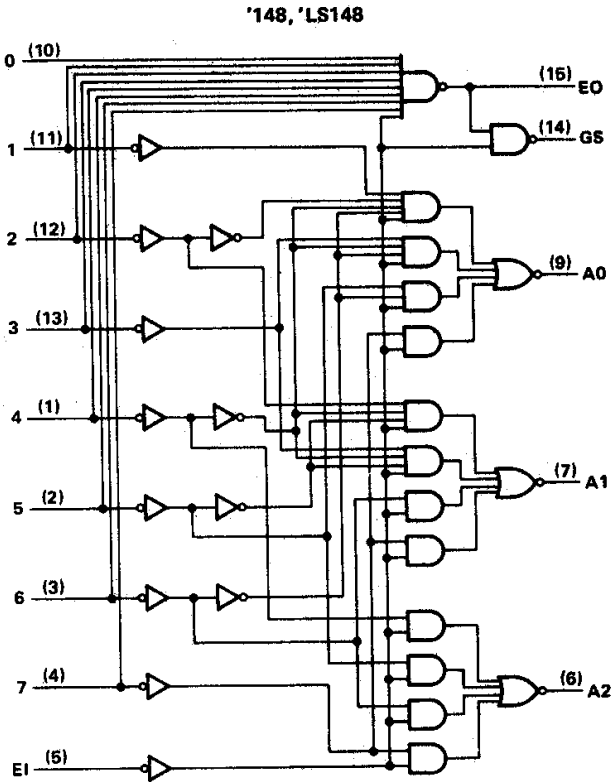
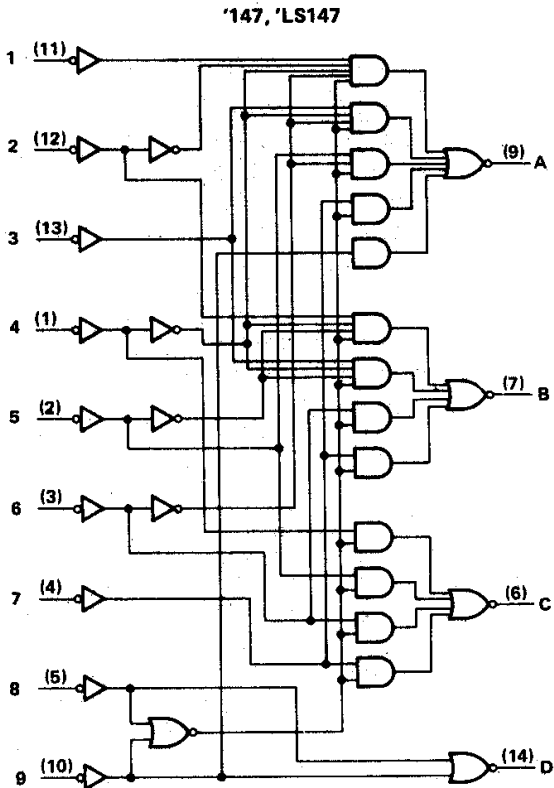
SDLS053A - OCTOBER 1976 - REVISED FEBRUARY 2001

logic symbols†



†These symbols are in accordance with ANSI/IEEE Std. 91-1984 and IEC Publication 617-12. Pin numbers shown are for D, J, N, and W packages.

logic diagrams



Pin numbers shown are for D, J, N, and W packages.

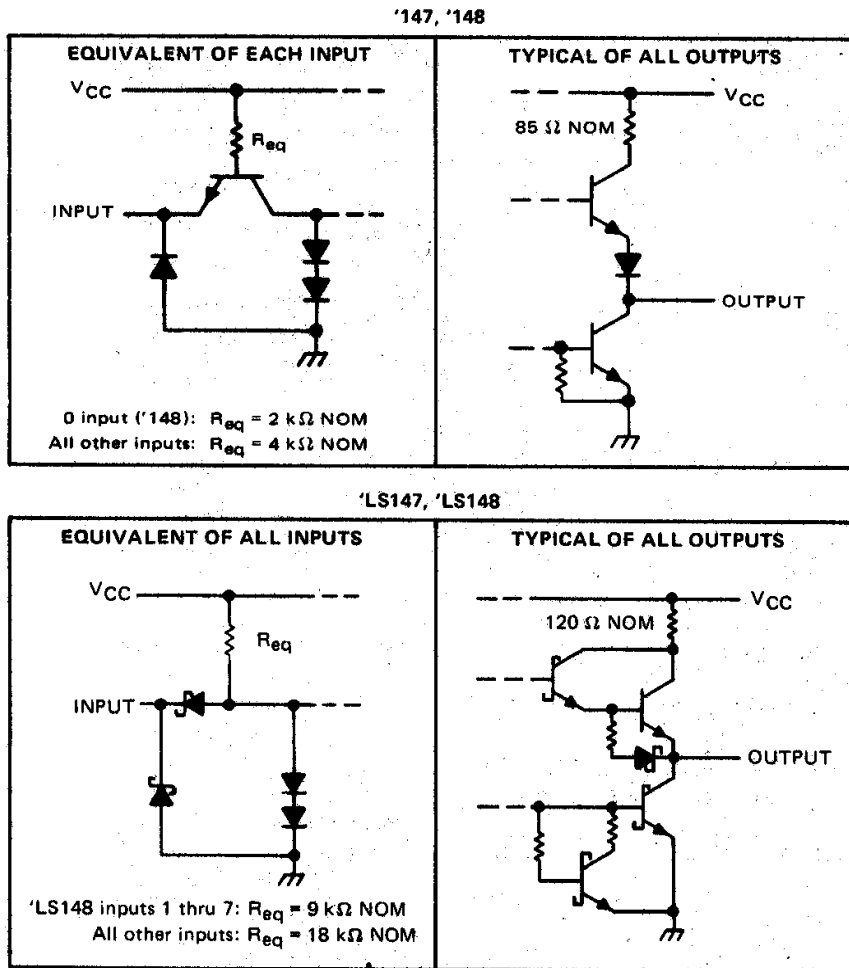


POST OFFICE BOX 655303 • DALLAS, TEXAS 75265

**SN54147, SN54148, SN54LS147, SN54LS148**  
**SN74147, SN74148 (TIM9907), SN74LS147, SN74LS148**  
**10-LINE TO 4-LINE AND 8-LINE TO 3-LINE PRIORITY ENCODERS**

SDLS053A - OCTOBER 1976 - REVISED FEBRUARY 2001

**schematics of inputs and outputs**



**absolute maximum ratings over operating free-air temperature range (unless otherwise noted)**

Supply voltage, $V_{CC}$ (see Note 1)	7 V
Input voltage: '147, '148	5.5 V
'LS147, 'LS148	7 V
Intermitter voltage: 148 only (see Note 2)	5.5 V
Operating free-air temperature range: SN54', SN54LS Circuits	-55°C to 125°C
SN74', SN74LS Circuits	0°C to 70°C
Storage temperature range	-65°C to 150°C

NOTES: 1. Voltage values, except intermitter voltage, are with respect to network ground terminal.  
 2. This is the voltage between two emitters of a multiple-emitter transistor. For '148 circuits, this rating applies between any two of the eight data lines, 0 through 7.

**recommended operating conditions**

	SN54'			SN74'			SN54LS'			SN74LS'			UNIT
	MIN	NOM	MAX	MIN	NOM	MAX	MIN	NOM	MAX	MIN	NOM	MAX	
Supply voltage, $V_{CC}$	4.5	5	5.5	4.75	5	5.25	4.5	5	5.5	4.75	5	5.25	V
High-level output current, $I_{OH}$			-800			-800			-400			-400	$\mu$ A
Low-level output current, $I_{OL}$			16			16			4			8	mA
Operating free-air temperature, $T_A$	-55		125	0		70	-55		125	0		70	°C



**SN54147, SN54148, SN54LS147, SN54LS148  
SN74147, SN74148 (TIM9907), SN74LS147, SN74LS148  
10-LINE TO 4-LINE AND 8-LINE TO 3-LINE PRIORITY ENCODERS**

SDLS053A - OCTOBER 1976 - REVISED FEBRUARY 2001

electrical characteristics over recommended operating free-air temperature range (unless otherwise noted)

PARAMETER	TEST CONDITIONS†	'147		'148		UNIT		
		MIN	TYP‡	MAX	MIN		TYP‡	MAX
V <sub>IH</sub> High-level input voltage		2			2		V	
V <sub>IL</sub> Low-level input voltage				0.8		0.8	V	
V <sub>IK</sub> Input clamp voltage	V <sub>CC</sub> = MIN, I <sub>I</sub> = -12 mA			-1.5		-1.5	V	
V <sub>OH</sub> High-level output voltage	V <sub>CC</sub> = MIN, V <sub>IH</sub> = 2 V, V <sub>IL</sub> = 0.8 V, I <sub>OH</sub> = -800 μA	2.4	3.3		2.4	3.3	V	
V <sub>OL</sub> Low-level output voltage	V <sub>CC</sub> = MIN, V <sub>IH</sub> = 2 V, V <sub>IL</sub> = 0.8 V, I <sub>OL</sub> = 16 mA	0.2	0.4		0.2	0.4	V	
I <sub>I</sub> Input current at maximum input voltage	V <sub>CC</sub> = MAX, V <sub>I</sub> = 5.5 V			1		1	mA	
I <sub>IH</sub> High-level input current	0 input					40	μA	
	Any input except 0			40		80		
I <sub>IL</sub> Low-level input current	0 input					-1.6	mA	
	Any input except 0			-1.6		-3.2		
I <sub>OS</sub> Short-circuit output current‡	V <sub>CC</sub> = MAX	-35	-85	-35	-85		mA	
I <sub>CC</sub> Supply current	V <sub>CC</sub> = MAX, See Note 3	Condition 1		50	70	40	60	mA
		Condition 2		42	62	35	55	mA

NOTE 3: For '147, I<sub>CC</sub> (condition 1) is measured with input 7 grounded, other inputs and outputs open; I<sub>CC</sub> (condition 2) is measured with all inputs and outputs open. For '148, I<sub>CC</sub> (condition 1) is measured with inputs 7 and E1 grounded, other inputs and outputs open; I<sub>CC</sub> (condition 2) is measured with all inputs and outputs open.

†For conditions shown as MIN or MAX, use the appropriate value specified under recommended operating conditions.

‡All typical values are at V<sub>CC</sub> = 5 V, T<sub>A</sub> = 25°C.

§Not more than one output should be shorted at a time.

**SN54147, SN74147 switching characteristics, V<sub>CC</sub> = 5 V, T<sub>A</sub> = 25°C**

PARAMETER¶	FROM (INPUT)	TO (OUTPUT)	WAVEFORM	TEST CONDITIONS	MIN	TYP	MAX	UNIT
t <sub>PLH</sub>	Any	Any	In-phase output	C <sub>L</sub> = 15 pF, R <sub>L</sub> = 400 Ω, See Note 4	9	14		ns
t <sub>PHL</sub>					7	11		
t <sub>PLH</sub>	Any	Any	Out-of-phase output		13	19		ns
t <sub>PHL</sub>					12	19		

**SN54148, SN74148 switching characteristics, V<sub>CC</sub> = 5 V, T<sub>A</sub> = 25°C**

PARAMETER¶	FROM (INPUT)	TO (OUTPUT)	WAVEFORM	TEST CONDITIONS	MIN	TYP	MAX	UNIT
t <sub>PLH</sub>	1 thru 7	A0, A1, or A2	In-phase output	C <sub>L</sub> = 15 pF, R <sub>L</sub> = 400 Ω, See Note 4	10	15		ns
t <sub>PHL</sub>					9	14		
t <sub>PLH</sub>	1 thru 7	A0, A1, or A2	Out-of-phase output		13	19		ns
t <sub>PHL</sub>					12	19		
t <sub>PLH</sub>	0 thru 7	EO	Out-of-phase output		6	10		ns
t <sub>PHL</sub>					14	25		
t <sub>PLH</sub>	0 thru 7	GS	In-phase output		18	30		ns
t <sub>PHL</sub>					14	25		
t <sub>PLH</sub>	E1	A0, A1, or A2	In-phase output		10	15		ns
t <sub>PHL</sub>					10	15		
t <sub>PLH</sub>	E1	GS	In-phase output		8	12		ns
t <sub>PHL</sub>					10	15		
t <sub>PLH</sub>	E1	EO	In-phase output		10	15		ns
t <sub>PHL</sub>					17	30		

¶t<sub>PLH</sub> = propagation delay time, low-to-high-level output

t<sub>PHL</sub> = propagation delay time, high-to-low-level output

NOTE 4: Load circuits and voltage waveforms are shown in Section 1.



**SN54147, SN54148, SN54LS147, SN54LS148  
SN74147, SN74148 (TIM9907), SN74LS147, SN74LS148  
10-LINE TO 4-LINE AND 8-LINE TO 3-LINE PRIORITY ENCODERS**

SDLS053A - OCTOBER 1976 - REVISED FEBRUARY 2001

electrical characteristics over recommended operating free-air temperature range (unless otherwise noted)

PARAMETER	TEST CONDITIONS†	SN54LS'		SN74LS'		UNIT
		MIN	TYP‡ MAX	MIN	TYP‡ MAX	
V <sub>IH</sub> High-level input voltage		2		2		V
V <sub>IL</sub> Low-level input voltage			0.7		0.8	V
V <sub>IK</sub> Input clamp voltage	V <sub>CC</sub> = MIN, I <sub>I</sub> = -18 mA		-1.5		-1.5	V
V <sub>OH</sub> High-level output voltage	V <sub>CC</sub> = MIN, V <sub>IH</sub> = 2 V V <sub>IL</sub> = 0.8 V, I <sub>OH</sub> = -400 µA	2.5	3.4	2.7	3.4	V
V <sub>OL</sub> Low-level output voltage	V <sub>CC</sub> = MIN, I <sub>OL</sub> = 4 mA	0.25	0.4	0.25	0.4	V
	V <sub>IH</sub> = 2 V, V <sub>IL</sub> = V <sub>ILmax</sub> , I <sub>OL</sub> = 8 mA			0.35	0.5	
I <sub>I</sub> Input current at maximum input voltage	'LS148 inputs 1 thru 7	V <sub>CC</sub> = MAX, V <sub>I</sub> = 7 V		0.2		mA
	All other inputs			0.1		
I <sub>IH</sub> High-level input current	'LS148 inputs 1 thru 7	V <sub>CC</sub> = MAX, V <sub>I</sub> = 2.7 V		40		µA
	All other inputs			20		
I <sub>IL</sub> Low-level input current	'LS148 inputs 1 thru 7	V <sub>CC</sub> = MAX, V <sub>I</sub> = 0.4 V		-0.8		mA
	All other inputs			-0.4		
I <sub>OS</sub> Short-circuit output current§	V <sub>CC</sub> = MAX	-20	-100	-20	-100	mA
I <sub>CC</sub> Supply current	V <sub>CC</sub> = MAX, Condition 1	12	20	12	20	mA
	See Note 5, Condition 2	10	17	10	17	

NOTE 5: For 'LS147, I<sub>CC</sub> (condition 1) is measured with input 7 grounded, other inputs and outputs open; I<sub>CC</sub> (condition 2) is measured with all inputs and outputs open. For 'LS148, I<sub>CC</sub> (condition 1) is measured with inputs 7 and E1 grounded, other inputs and outputs open, I<sub>CC</sub> (condition 2) is measured with all inputs and outputs open.

† For conditions shown as MIN or MAX, use the appropriate value specified under recommended operating conditions.

‡ All typical values are at V<sub>CC</sub> = 5 V, T<sub>A</sub> = 25°C.

§ Not more than one output should be shorted at a time.

**SN54LS147, SN74LS147 switching characteristics, V<sub>CC</sub> = 5 V, T<sub>A</sub> = 25°C**

PARAMETER†	FROM (INPUT)	TO (OUTPUT)	WAVEFORM	TEST CONDITIONS	MIN	TYP	MAX	UNIT
t <sub>PLH</sub>	Any	Any	In-phase output	C <sub>L</sub> = 15 pF, R <sub>L</sub> = 2 kΩ, See Note 4	12		18	ns
t <sub>PHL</sub>					12		18	
t <sub>PLH</sub>	Any	Any	Out-of-phase output		21		33	ns
t <sub>PHL</sub>					15		23	

**SN54LS148, SN74LS148 switching characteristics, V<sub>CC</sub> = 5 V, T<sub>A</sub> = 25°C**

PARAMETER†	FROM (INPUT)	TO (OUTPUT)	WAVEFORM	TEST CONDITIONS	MIN	TYP	MAX	UNIT
t <sub>PLH</sub>	1 thru 7	A0, A1, or A2	In-phase output	C <sub>L</sub> = 15 pF, R <sub>L</sub> = 2 kΩ, See Note 4	14		18	ns
t <sub>PHL</sub>					15		25	
t <sub>PLH</sub>	1 thru 7	A0, A1, or A2	Out-of-phase output		20		36	ns
t <sub>PHL</sub>					16		29	
t <sub>PLH</sub>	0 thru 7	EO	Out-of-phase output		7		18	ns
t <sub>PHL</sub>					25		40	
t <sub>PLH</sub>	0 thru 7	GS	In-phase output		35		55	ns
t <sub>PHL</sub>					9		21	
t <sub>PLH</sub>	E1	A0, A1, or A2	In-phase output		16		25	ns
t <sub>PHL</sub>					12		25	
t <sub>PLH</sub>	E1	GS	In-phase output		12		17	ns
t <sub>PHL</sub>					14		36	
t <sub>PLH</sub>	E1	EO	In-phase output		12		21	ns
t <sub>PHL</sub>					23		35	

† t<sub>PLH</sub> ≡ propagation delay time, low-to-high level output  
t<sub>PHL</sub> ≡ propagation delay time, high-to-low level output

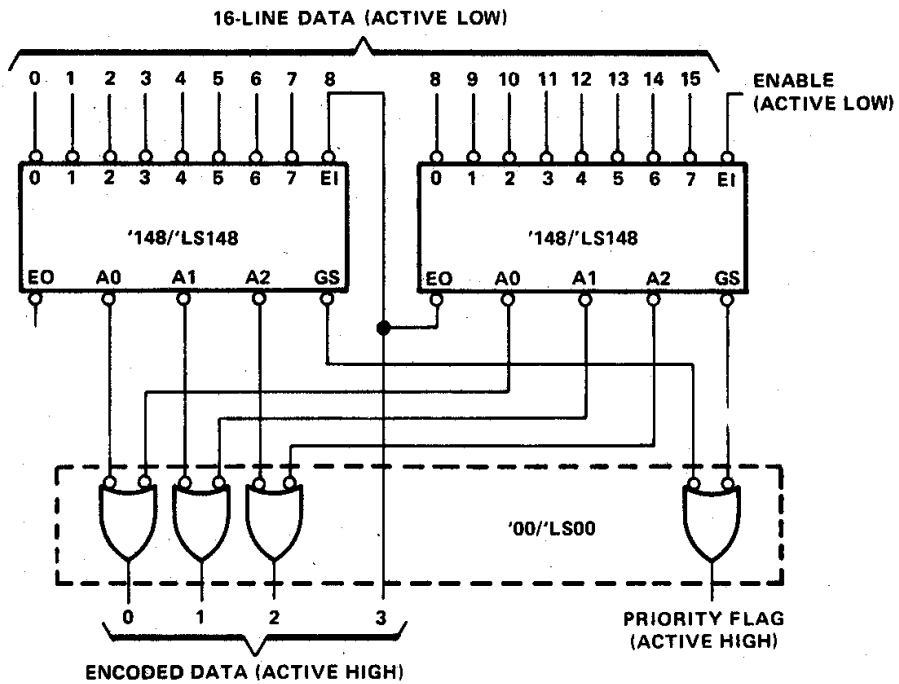
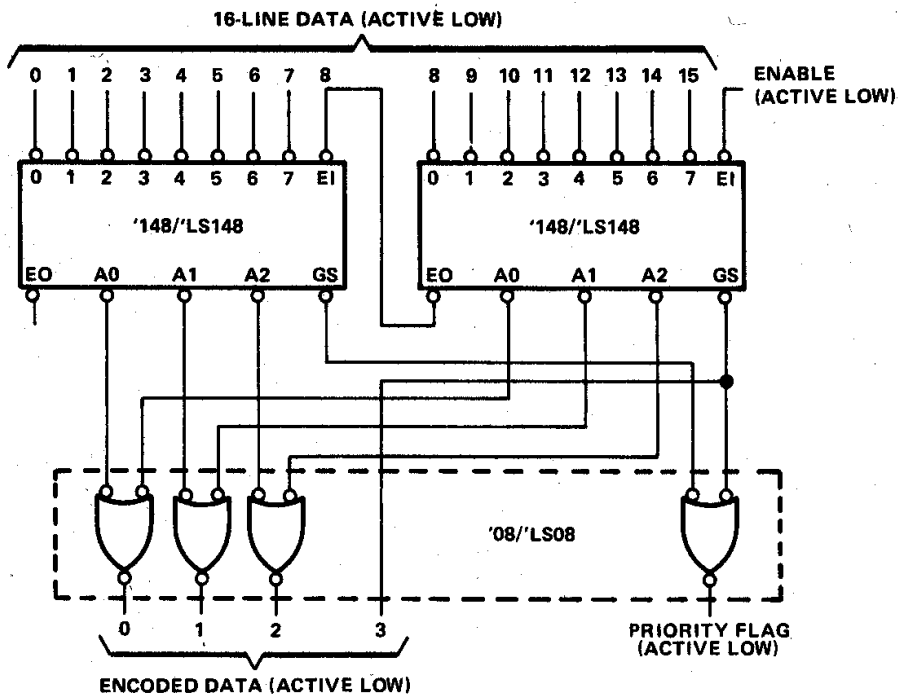
NOTE 4: Load circuits and voltage waveforms are shown in Section 1.



**SN54147, SN54148, SN54LS147, SN54LS148  
 SN74147, SN74148 (TIM9907), SN74LS147, SN74LS148  
 10-LINE TO 4-LINE AND 8-LINE TO 3-LINE PRIORITY ENCODERS**

SDLS053A - OCTOBER 1976 - REVISED FEBRUARY 2001

**TYPICAL APPLICATION DATA**



Since the '147/'LS147 and '148/'LS148 are combinational logic circuits, wrong addresses can appear during input transients. Moreover, for the '148/'LS148 a change from high to low at input EI can cause a transient low on the GS output when all inputs are high. This must be considered when strobing the outputs.



## IMPORTANT NOTICE

Texas Instruments and its subsidiaries (TI) reserve the right to make changes to their products or to discontinue any product or service without notice, and advise customers to obtain the latest version of relevant information to verify, before placing orders, that information being relied on is current and complete. All products are sold subject to the terms and conditions of sale supplied at the time of order acknowledgment, including those pertaining to warranty, patent infringement, and limitation of liability.

TI warrants performance of its products to the specifications applicable at the time of sale in accordance with TI's standard warranty. Testing and other quality control techniques are utilized to the extent TI deems necessary to support this warranty. Specific testing of all parameters of each device is not necessarily performed, except those mandated by government requirements.

Customers are responsible for their applications using TI components.

In order to minimize risks associated with the customer's applications, adequate design and operating safeguards must be provided by the customer to minimize inherent or procedural hazards.

TI assumes no liability for applications assistance or customer product design. TI does not warrant or represent that any license, either express or implied, is granted under any patent right, copyright, mask work right, or other intellectual property right of TI covering or relating to any combination, machine, or process in which such products or services might be or are used. TI's publication of information regarding any third party's products or services does not constitute TI's approval, license, warranty or endorsement thereof.

Reproduction of information in TI data books or data sheets is permissible only if reproduction is without alteration and is accompanied by all associated warranties, conditions, limitations and notices. Representation or reproduction of this information with alteration voids all warranties provided for an associated TI product or service, is an unfair and deceptive business practice, and TI is not responsible nor liable for any such use.

Resale of TI's products or services with statements different from or beyond the parameters stated by TI for that product or service voids all express and any implied warranties for the associated TI product or service, is an unfair and deceptive business practice, and TI is not responsible nor liable for any such use.

Also see: [Standard Terms and Conditions of Sale for Semiconductor Products](http://www.ti.com/sc/docs/stdterms.htm). [www.ti.com/sc/docs/stdterms.htm](http://www.ti.com/sc/docs/stdterms.htm)

### Mailing Address:

Texas Instruments  
Post Office Box 655303  
Dallas, Texas 75265