

Distributed by:

JAMECO[®]
ELECTRONICS

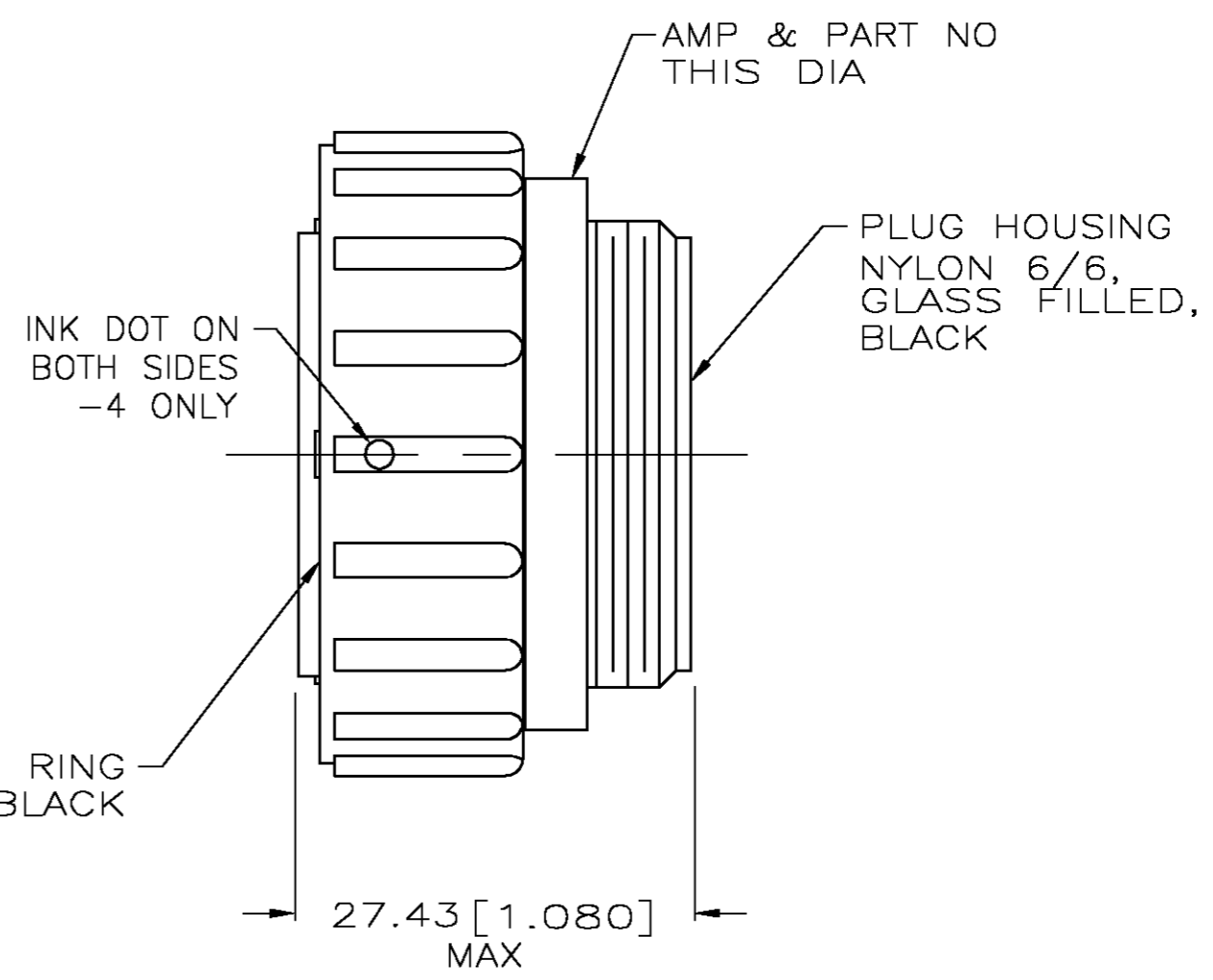
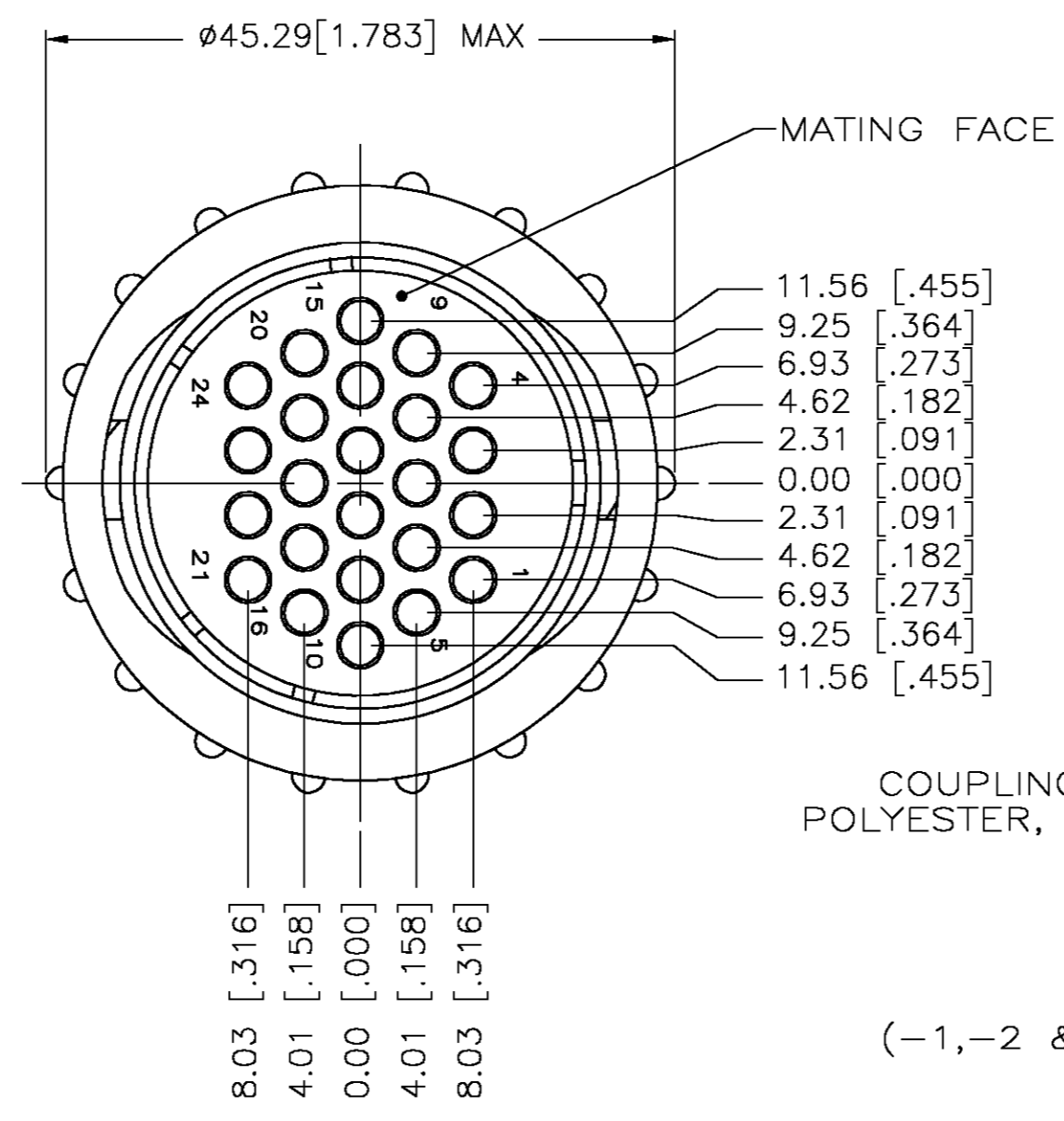
www.Jameco.com ♦ 1-800-831-4242

The content and copyrights of the attached
material are the property of its owner.

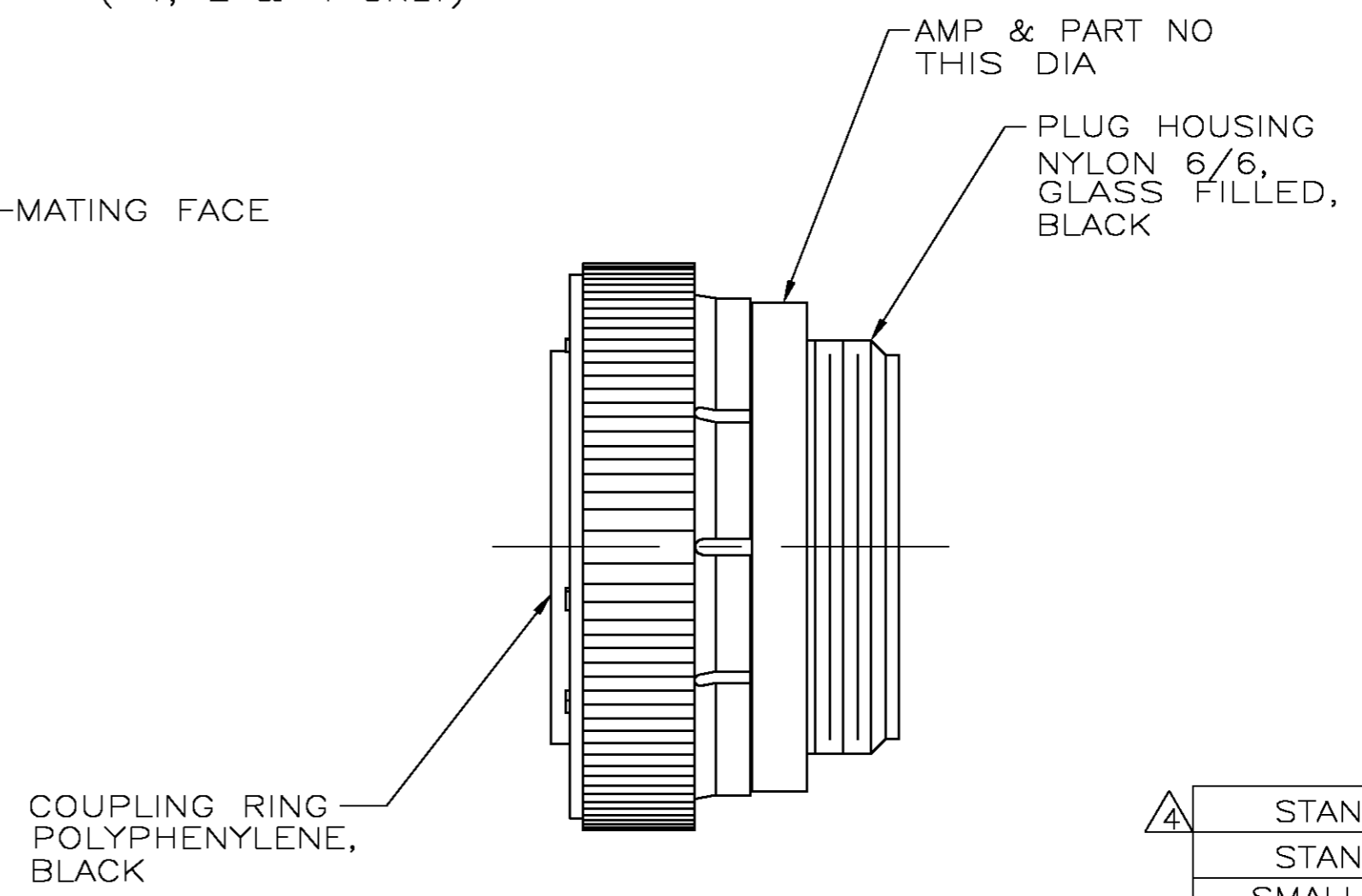
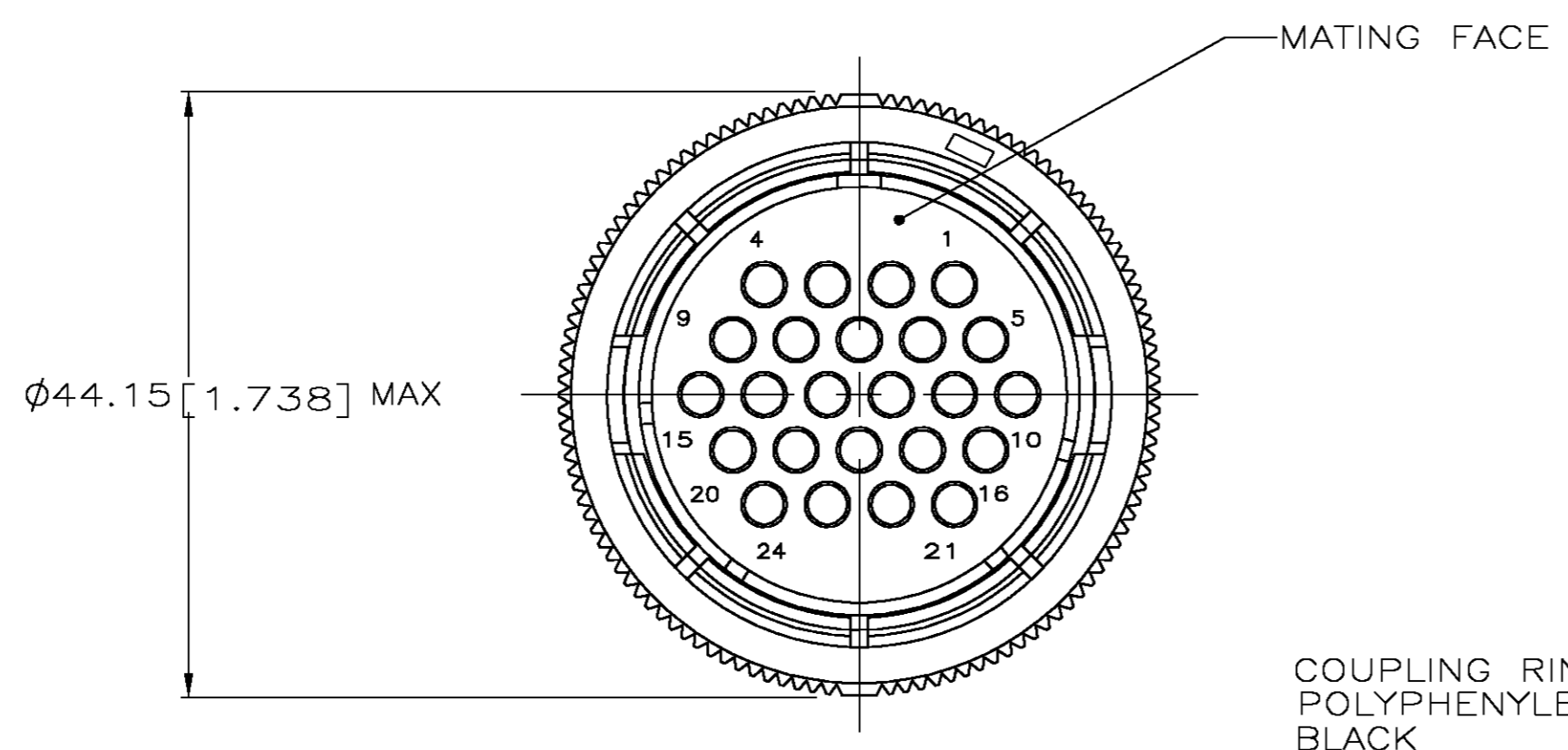
Jameco Part Number 495058

THIS DRAWING IS UNPUBLISHED. RELEASED FOR PUBLICATION
 © COPYRIGHT BY TYCO ELECTRONICS CORPORATION. ALL RIGHTS RESERVED.

LOC		DIST		REVISIONS			
P	LTR	DESCRIPTION		DATE	DWN	APVD	
G		REVISED PER 0G3B-0025-05		1/11/05	SS	HW	



(-1, -2 & -4 ONLY)



(-3 ONLY)

STANDARD	206837-4
STANDARD	206837-3
SMALL PACK	206837-2
STANDARD	206837-1
PACKAGING	PART NUMBER

- CONNECTOR WILL ACCEPT (24) MULTIMATE SOCKET CONTACTS.
 - MAXIMUM INSULATION NOT TO EXCEED .150 DIA.
 - CONTACT CAVITIES IDENTIFIED BY CHARACTERS ON FRONT AND REAR FACE OF CONNECTOR.
- ⚠ PRELIMINARY PART NUMBER.

THIS DRAWING IS A CONTROLLED DOCUMENT.		DWN S. RIDGLEY BG 31 JUL 90	Tyco Electronics Corporation Harrisburg, Pa 17105-3608
DIMENSIONS: mm [INCHES]		CHK R. STONE 26 APR 91	
TOLERANCES UNLESS OTHERWISE SPECIFIED:		APVD K. BEAVER 03 APR 91	NAME PLUG ASSEMBLY, SHELL SIZE 23, STANDARD SEX, SERIES 1, CPC
0 PLC ± - 1 PLC ± - 2 PLC ± - 3 PLC ± - 4 PLC ± - ANGLES ± - FINISH -		PRODUCT SPEC 108-10024 APPLICATION SPEC -	
MATERIAL SEE CALLOUT		WEIGHT -	SIZE A2 CAGE CODE 00779 DRAWING NO C=206837 RESTRICTED TO -
		CUSTOMER DRAWING	SCALE 2:1 SHEET 1 OF 1 REV G