

Distributed by:

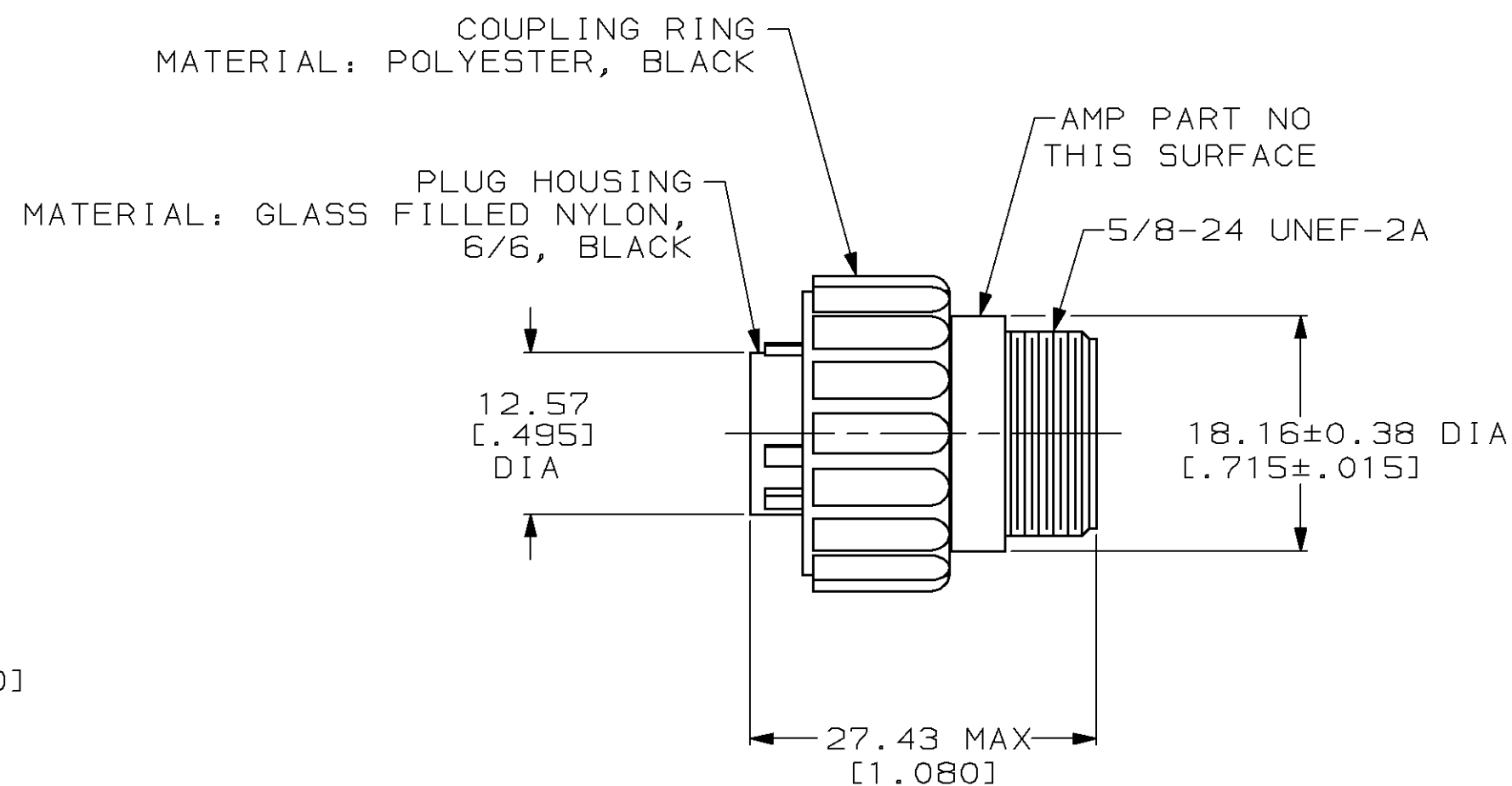
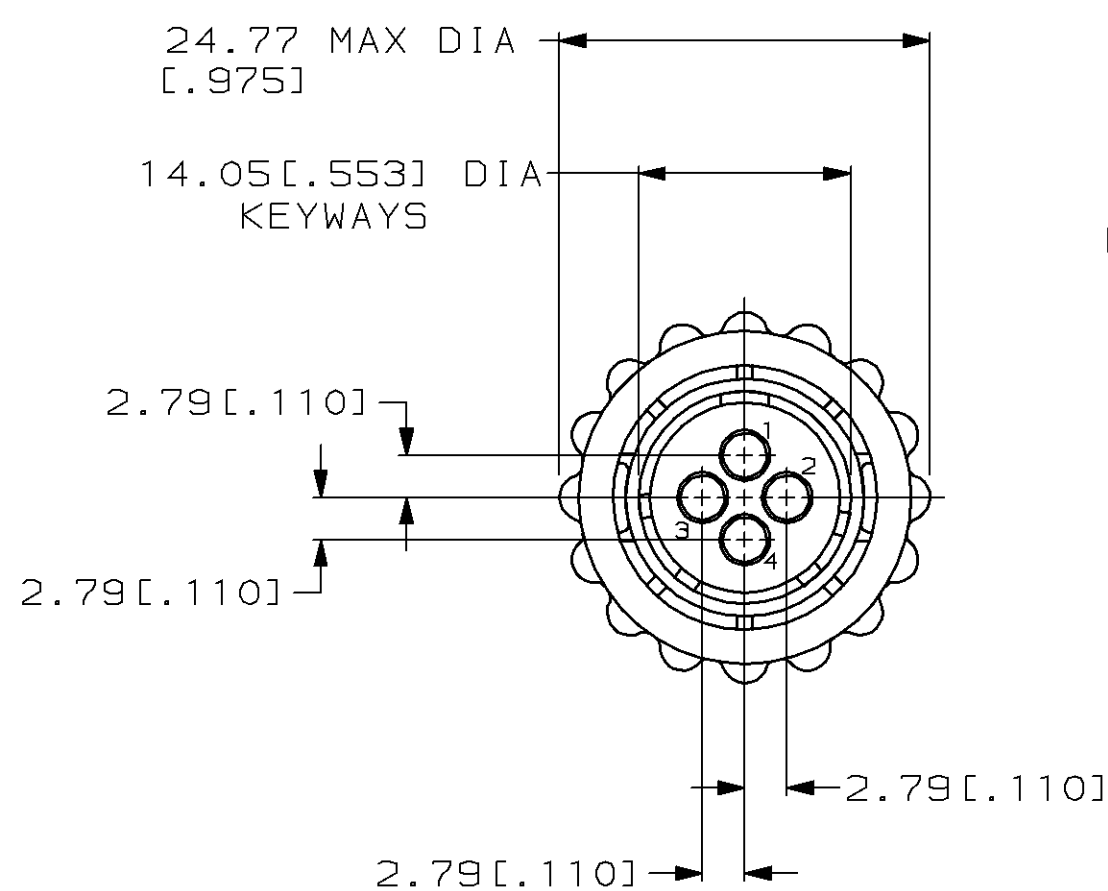
JAMECO[®]
ELECTRONICS

www.Jameco.com ♦ 1-800-831-4242

The content and copyrights of the attached
material are the property of its owner.

Jameco Part Number 495082

LOC	DIST	P	F	ZONE	LTR	DESCRIPTION	DATE	APPD
FT	4				D	REDRAWN ON CAD & ADDED -2 NPR 4832	07/06/93	-
					E	REV PER EC 0020-0203-95	03/06/95	AF
					F	REV PER EC 0020-568-95	14 JUL 95	AF
					G	REV PER EC 0320-244-97	07 OCT 97	KD



1. CAVITY IDENTIFICATION ON FRONT AND REAR FACE.
2. WILL ACCEPT FOUR (4) MULTIMATE SOCKET CONTACTS.

SMALL PACK	206060-2
STANDARD	206060-1
PACKAGING	PART NO

DO NOT SCALE PRINT. UNLESS SPECIFIED DIMENSIONS IN mm [INCHES] TOLERANCES ON : 2 PLC DEC ± 0.13 [.005] 3 PLC DEC ± - ANGLES ± -	DR 07/26/93 D.GELTZ	AMP Incorporated Harrisburg, PA 17105-3608	
	CHK 08/11/93 R.STONE		
MATERIAL SEE CALLOUTS	APPD 08/16/93 A.FRANTUM	PLUG ASSEMBLY, STANDARD SEX, SERIES 1, 11-4, CPC	
FINISH -	APPD 08/16/93 A.FRANTUM	SIZE C	CAGE CODE 00779
	PRODUCT SPEC 108-10024	DRAWING NO G=206060	
	APPLICATION SPEC -	SCALE 2:1	SHEET 1 OF 1
	WEIGHT -		

THIS DRAWING IS A CONTROLLED DOCUMENT FOR AMP INCORPORATED. IT IS SUBJECT TO CHANGE AND THE CONTROLLING ENGINEERING ORGANIZATION SHOULD BE CONTACTED FOR THE LATEST REVISION.