

Distributed by:

**JAMECO**<sup>®</sup>  
ELECTRONICS

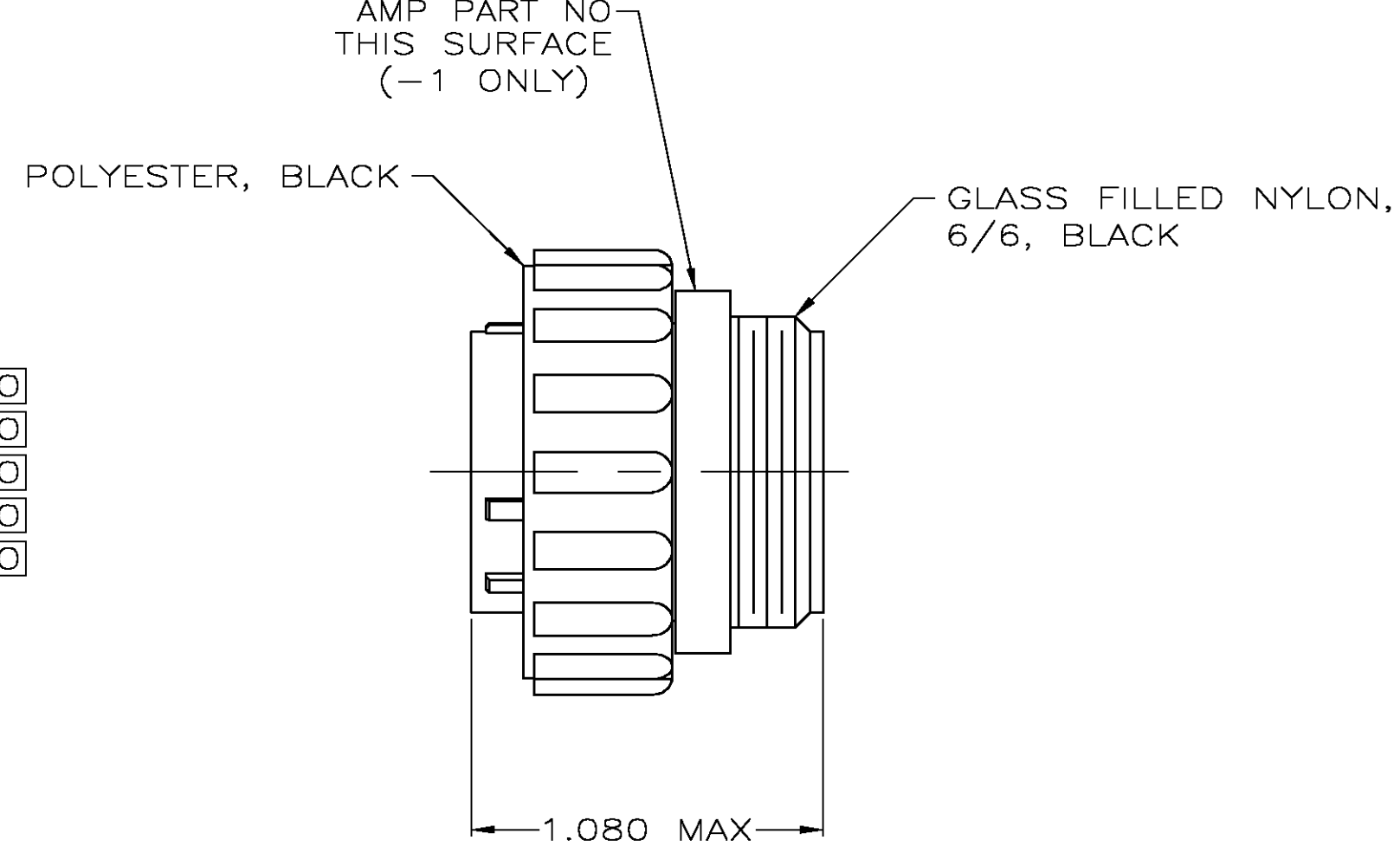
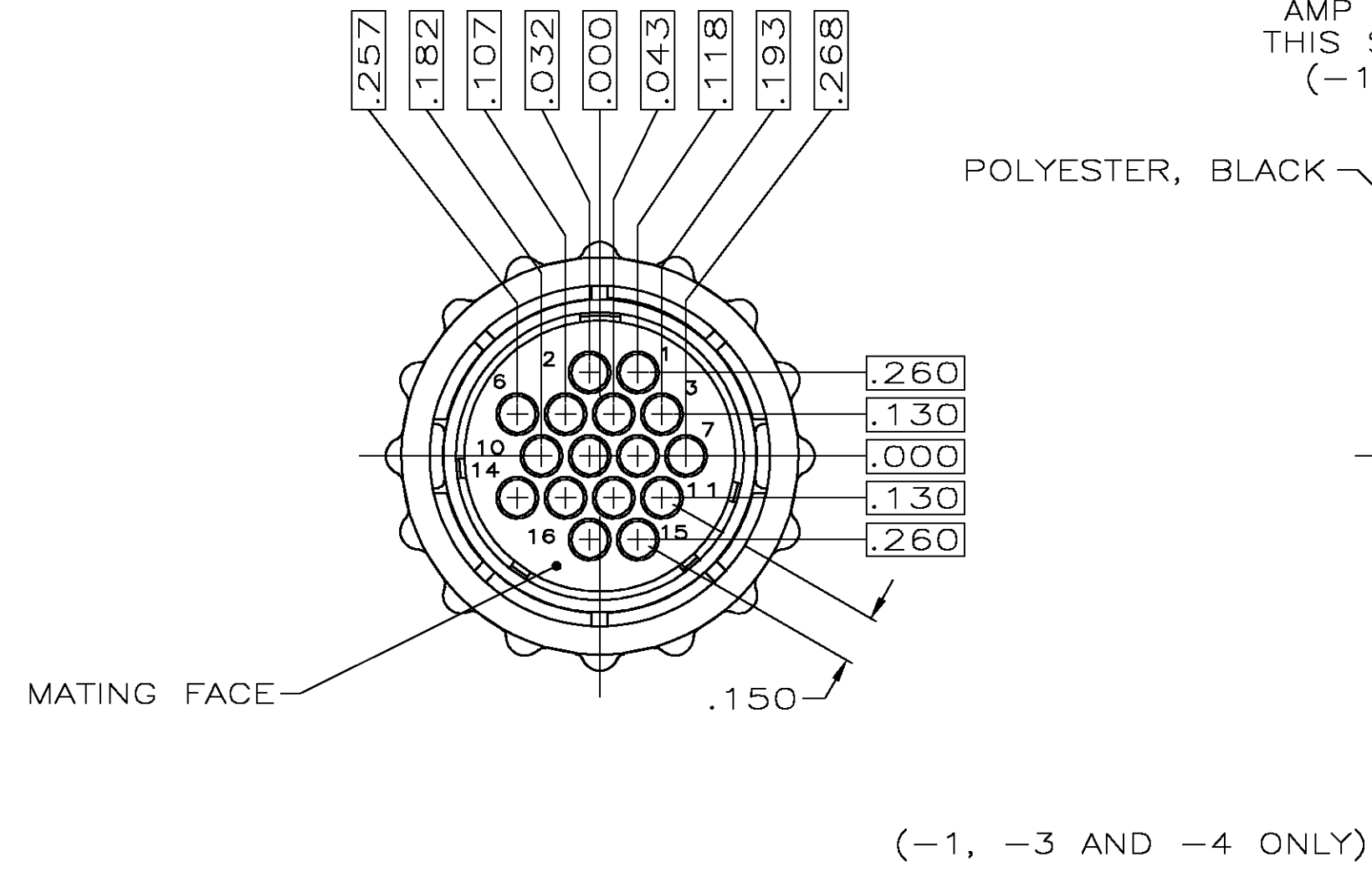
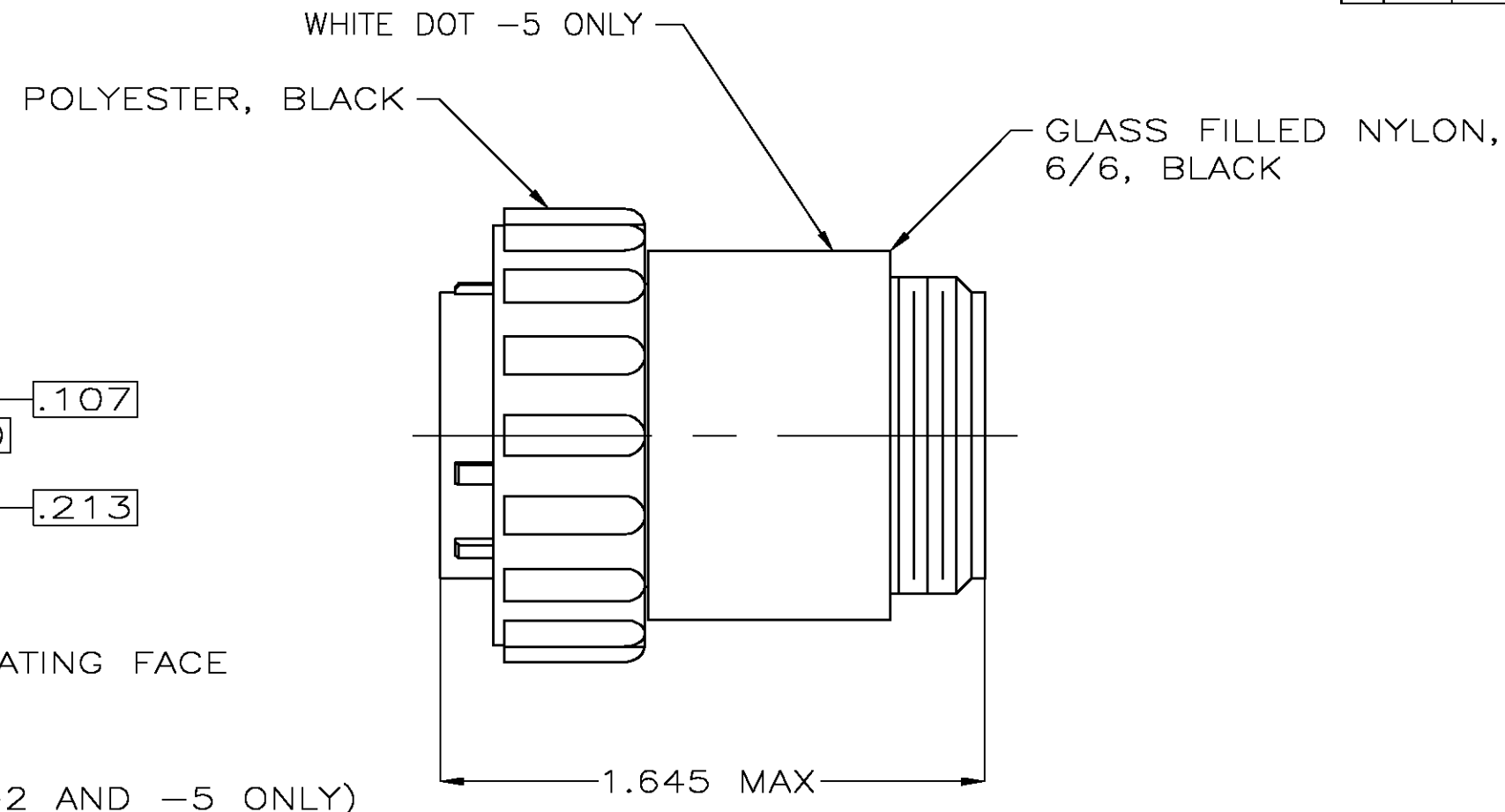
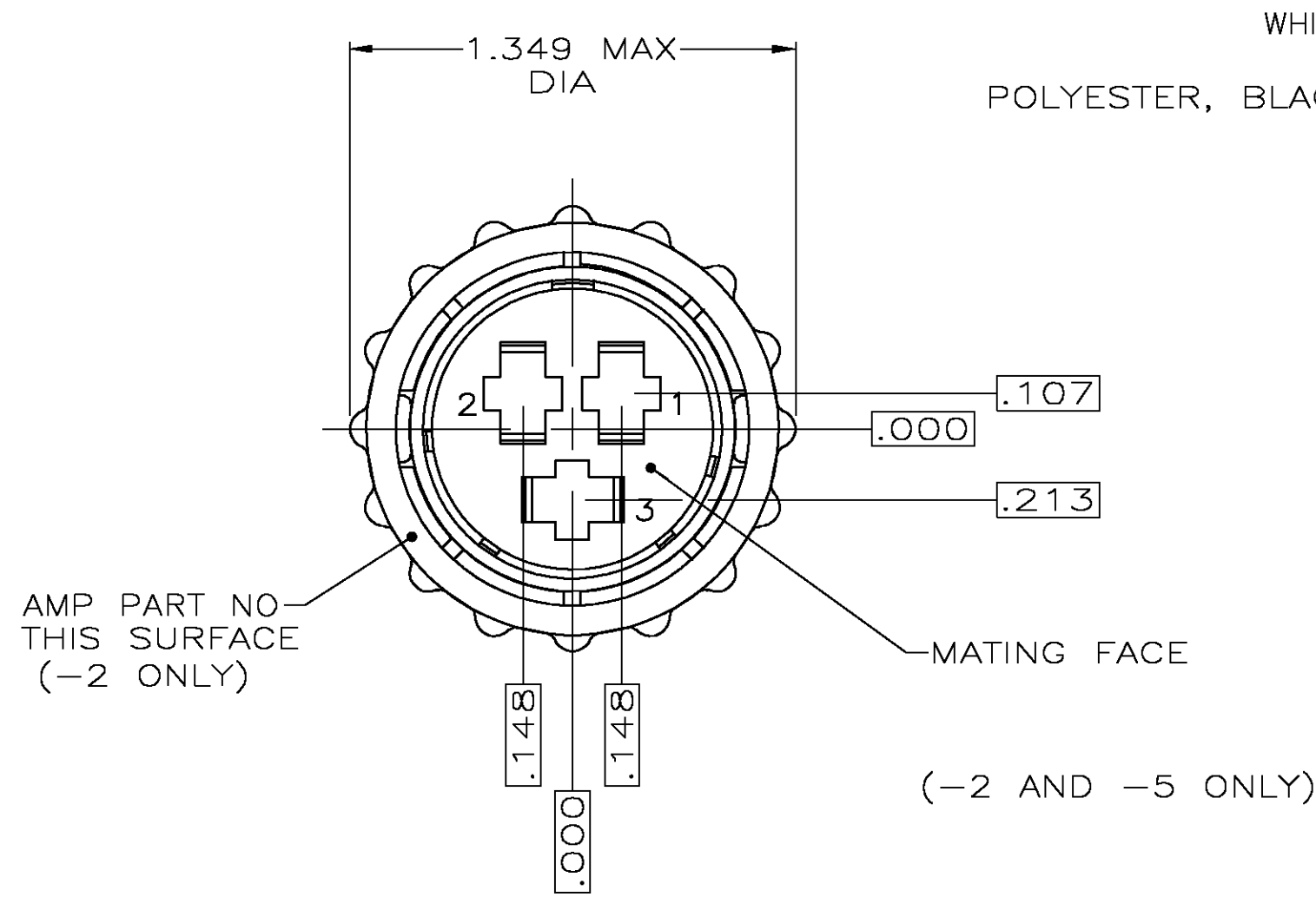
**www.Jameco.com ♦ 1-800-831-4242**

The content and copyrights of the attached  
material are the property of its owner.

Jameco Part Number 495322

THIS DRAWING IS UNPUBLISHED. RELEASED FOR PUBLICATION  
 © COPYRIGHT BY TYCO ELECTRONICS CORPORATION. ALL RIGHTS RESERVED.

LOC	DIST	REVISIONS			
P	LTR	DESCRIPTION	DATE	DWN	APVD
FT	0				
		K REVISED PER 0G3B-0426-03	2/21/05	SS	SH



NOTES:

- CONTACT CAVITIES IDENTIFIED BY CHARACTERS ON FRONT AND REAR FACES OF CONNECTOR.
- PART NUMBER 206037-1, -3 AND -4 WILL ACCEPT (16) MULTIMATE SOCKET CONTACTS.
- PART NUMBER 206037-2 AND -5 WILL ACCEPT (3) TYPE XII SOCKET CONTACTS.
- PRELIMINARY PART NUMBER.

4	3	206037-5
	2	206037-4
	2	206037-3
	3	206037-2
	2	206037-1
PART NUMBER		

THIS DRAWING IS A CONTROLLED DOCUMENT.		DWN S.RIDGLEY BG 8/3/90	Tyco Electronics Corporation Harrisburg, PA 17105	
DIMENSIONS: INCHES		CHK R.STONE 04/26/91		
TOLERANCES UNLESS OTHERWISE SPECIFIED:		APVD -	NAME	
0 PLC ± -		PRODUCT SPEC -	PLUG ASSEMBLY, SHELL SIZE 17, STANDARD SEX, CPC	
1 PLC ± -		APPLICATION SPEC -	SIZE A2	CAGE CODE 00779
2 PLC ± -		WEIGHT -	DRAWING NO C=206037	RESTRICTED TO -
3 PLC ± .005		CUSTOMER DRAWING	SCALE 2:1	SHEET 1 OF 1
4 PLC ± -			REV K	
ANGLES ± -				
FINISH -				
MATERIAL SEE NOTES				