

Distributed by:

**JAMECO**<sup>®</sup>  
ELECTRONICS

**www.Jameco.com ♦ 1-800-831-4242**

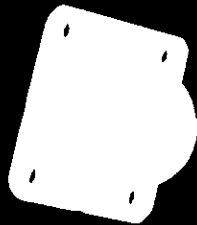
The content and copyrights of the attached  
material are the property of its owner.

Jameco Part Number 495445

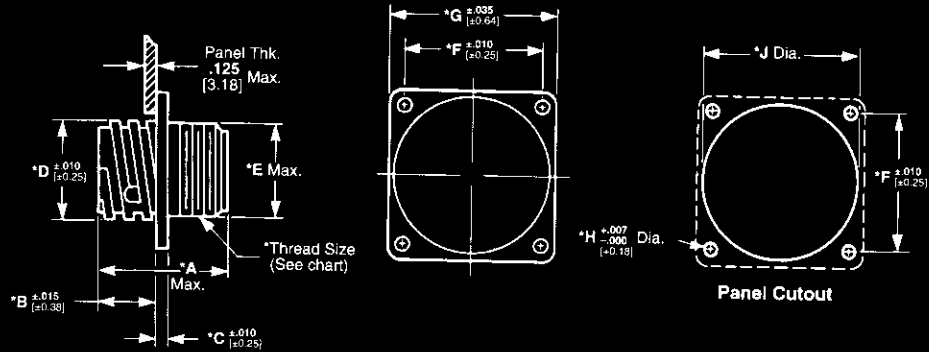
**Circular Plastic Connectors, Series 2**

**CPC Connectors, Series 2  
for Cable or Panel Mount**

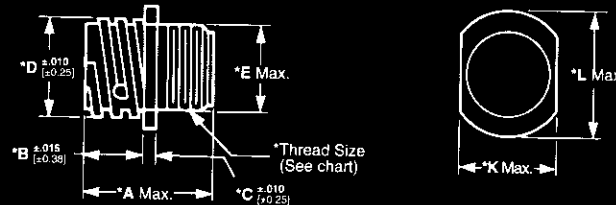
(Accepts Size 20 DM or DF Crimp,  
Snap-In Contacts)



**Square Flange Receptacle**



**Free-Hanging Receptacle**



\*Note:  
See page 31 for callout dimensions

Listed part numbers are for  
connectors only; **contacts must  
be ordered separately.**

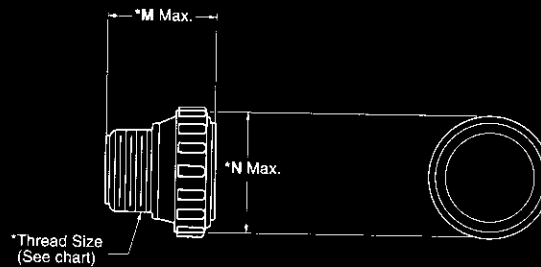
**Material**

**Housing**—Thermoplastic, 94V-0 rated,  
black

**Related Product Data**

- Contacts**—Pages 28-29
- Contact Arrangement**—Page 30
- Component Dimensions**—Page 31\*
- Accessories**—Pages 37-41
- Performance Characteristics**—  
Page 6
- Application Tooling**—Pages 75-78
- Technical Documents**—Page 79

**Plug**



**Standard Sex Connectors**

(Receptacles accept Size 20 DM or DF pin contacts, Plugs accept Size 20 DM or DF socket contacts)

Arrangement	Square Flange Receptacle		Free-Hanging Receptacle	Plug
	With Mounting Holes	With Threaded Inserts <sup>1</sup>		
11-8	205841-1	205841-3	205841-2	205838-1
11-9	206486-1	206852-8	206486-2	206485-1
17-28	205840-3	205840-4	206152-1	205839-3
23-63	205843-1	—	205843-2	205842-1

<sup>1</sup>Four 4-40 threaded inserts per receptacle.

**Reverse Sex Connectors**

(Receptacles accept Size 20 DM or DF socket contacts, Plugs accept Size 20 DM or DF pin contacts)

Arrangement	Square Flange Receptacle		Free-Hanging Receptacle	Plug
	With Mounting Holes	With Threaded Inserts <sup>1</sup>		
11-8	206433-1	206433-3	206433-2	206434-1
17-28	206038-1	206038-4	206038-2	206039-1
23-57	206438-1	—	206438-2	206437-1

<sup>1</sup>Four 4-40 threaded inserts per receptacle.

**Note:** For Standard and Reverse Sex Connectors the maximum wire insulation diameter is .068 [1.73].

**Replacement Coupling Rings**

Shell Size	Part No.
11	213811-1
17	213810-1
23	213812-1