

Distributed by:

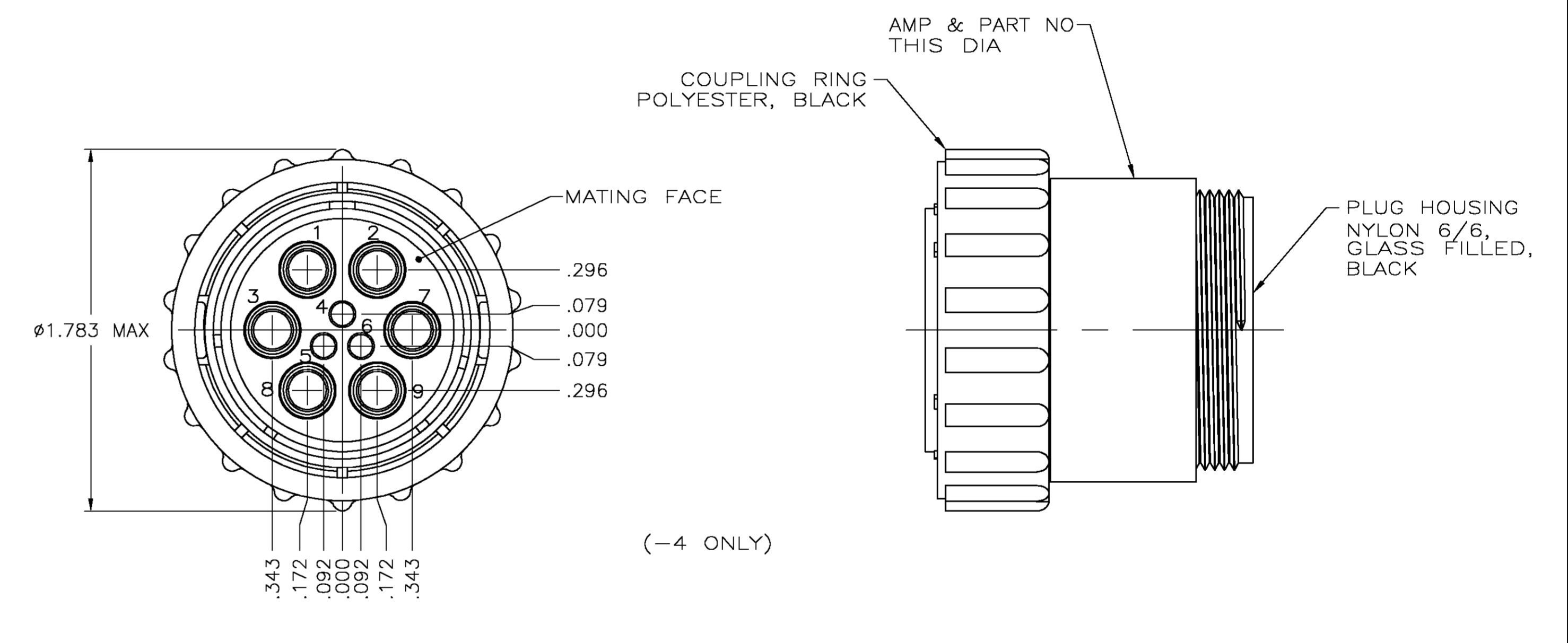
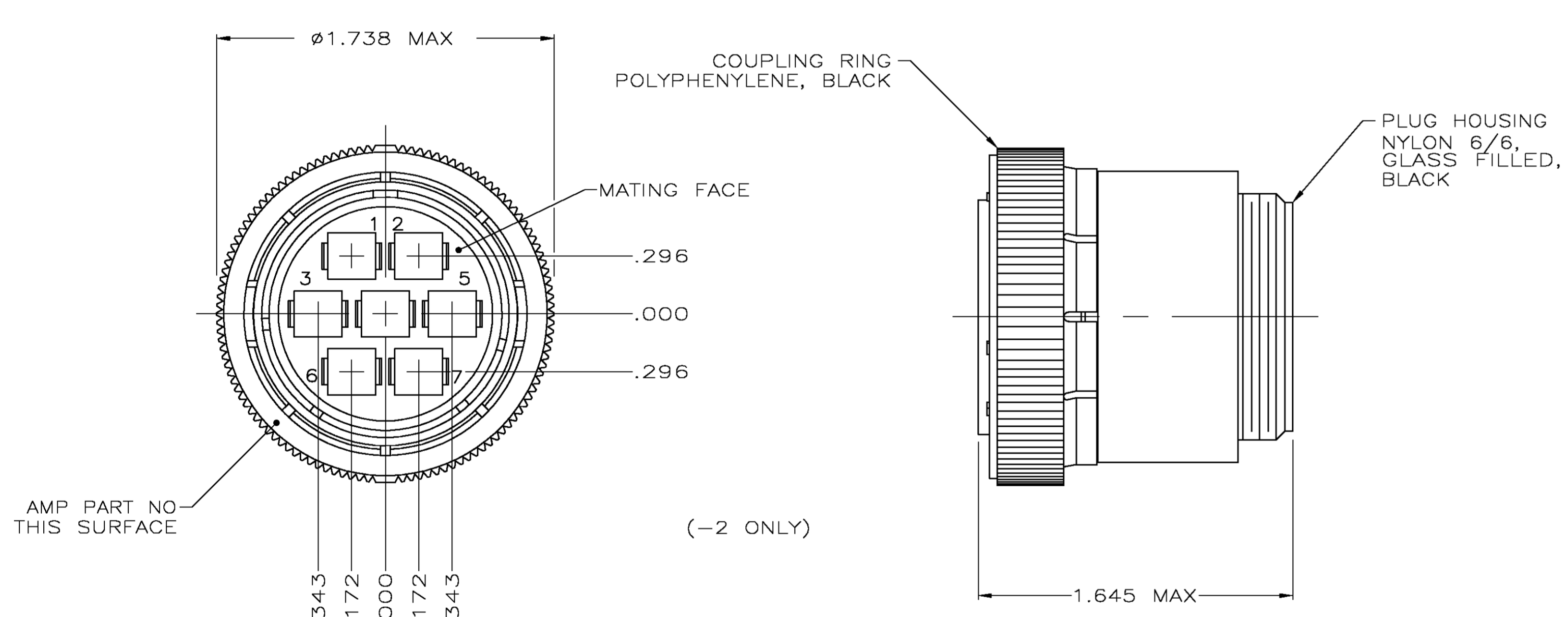
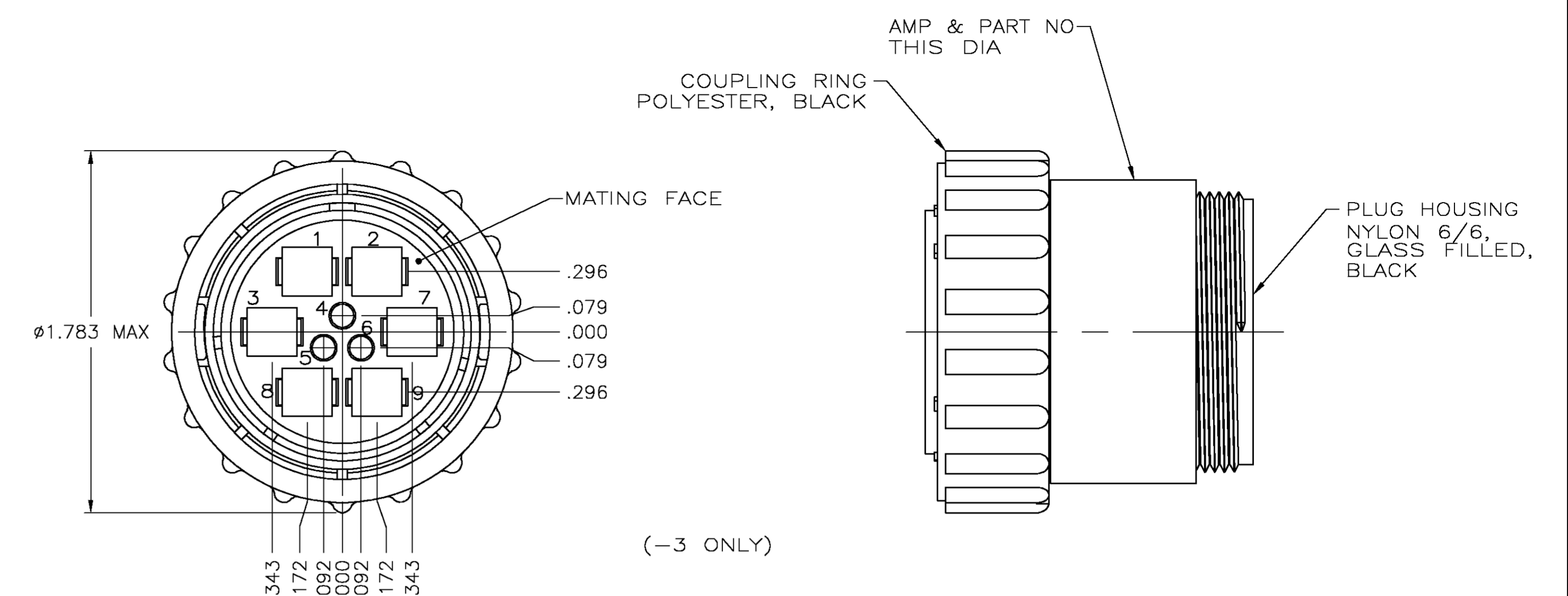
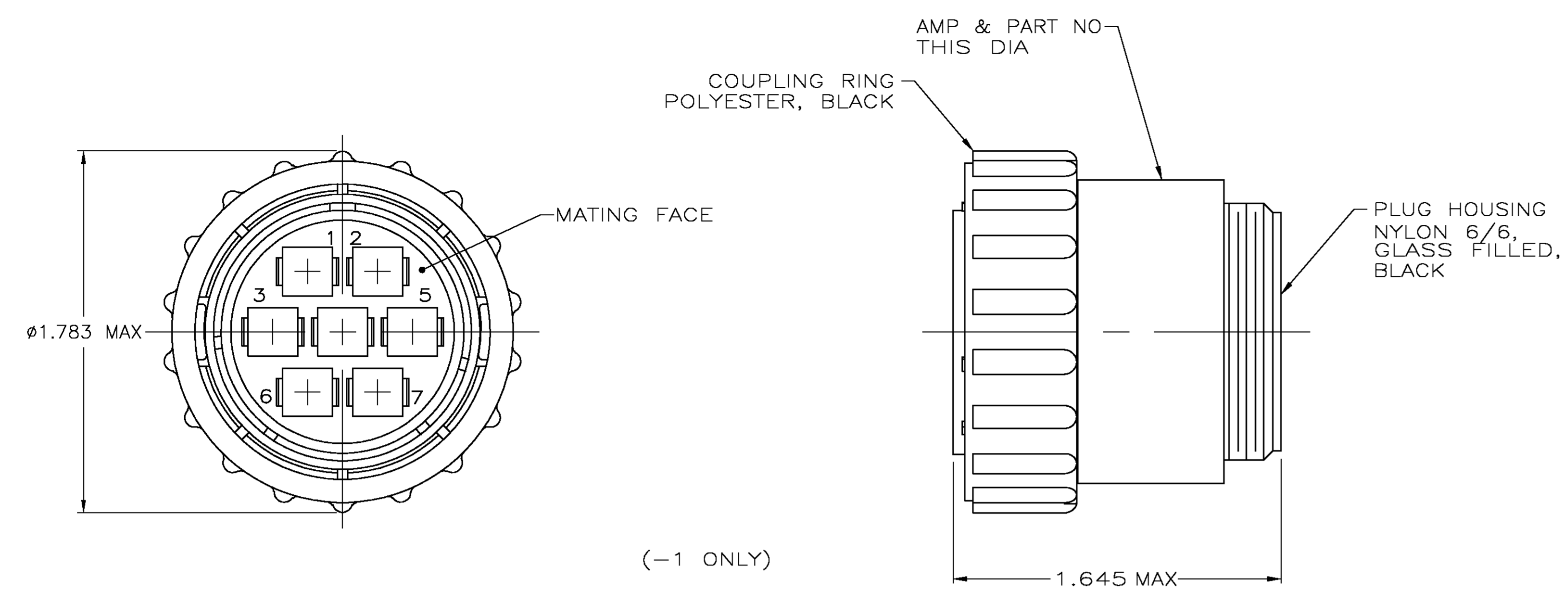
JAMECO[®]
ELECTRONICS

www.Jameco.com ♦ 1-800-831-4242

The content and copyrights of the attached
material are the property of its owner.

Jameco Part Number 495509

LOC		DIST		REVISIONS			
P	LTR	DESCRIPTION	DATE	BY	APPD		
L		REVISED PER 063B-0890-04	10/5/04	SS	HW		



NOTES:

- CONTACT CAVITIES IDENTIFIED BY CHARACTERS ON FRONT AND REAR FACES OF CONNECTOR.
- 1 AND -2 WILL ACCEPT (7) SEVEN TYPE XII PIN CONTACTS.
- 3 WILL ACCEPT (6) SIX TYPE XII PIN CONTACTS AND (3) THREE TYPE III+ PIN CONTACTS.
- 4 WILL ACCEPT (6) SIX POWER BAND CONTACTS AND (3) THREE TYPE III+ PIN CONTACTS.
- PRELIMINARY PART NUMBER.

206226-4	206226-3	206226-2	206226-1
PART NUMBER			

THIS DRAWING IS A CONTROLLED DOCUMENT.

DIMENSIONS: INCHES	TOLERANCES UNLESS OTHERWISE SPECIFIED:	0 PLC ± .005	1 PLC ± .005	2 PLC ± .005	3 PLC ± .005	4 PLC ± .005	ANGLES ± .005
MATERIAL SEE CALLOUT	FINISH	WEIGHT	SIZE A1	CAGE CODE 00779	DRAWING NO. C=206226	RESTRICTED TO	CUSTOMER DRAWING

DWN: S.RIDGLEY BG 8/2/90
 CHK: R.STONE 04/28/91
 NAME: Tyco Electronics Corporation
 Tyco Electronics Corporation, Harrisburg, Pa 17105-3608
 PRODUCT SPEC: PLUG ASSEMBLY, SHELL SIZE 23, REVERSE SEX, SERIES 3, CPC
 APPLICATION SPEC: -
 SCALE: 2:1 SHEET 1 OF 1 REV L