

Distributed by:

JAMECO[®]
ELECTRONICS

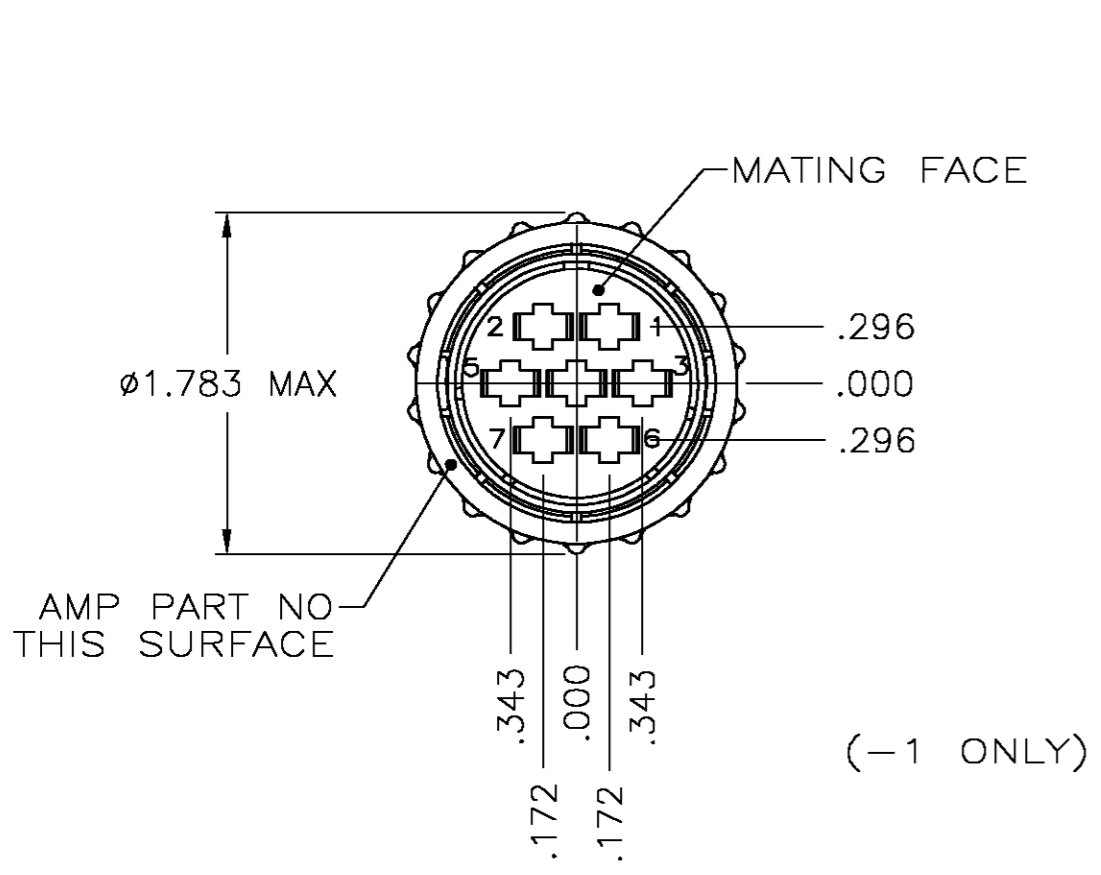
www.Jameco.com ♦ 1-800-831-4242

The content and copyrights of the attached
material are the property of its owner.

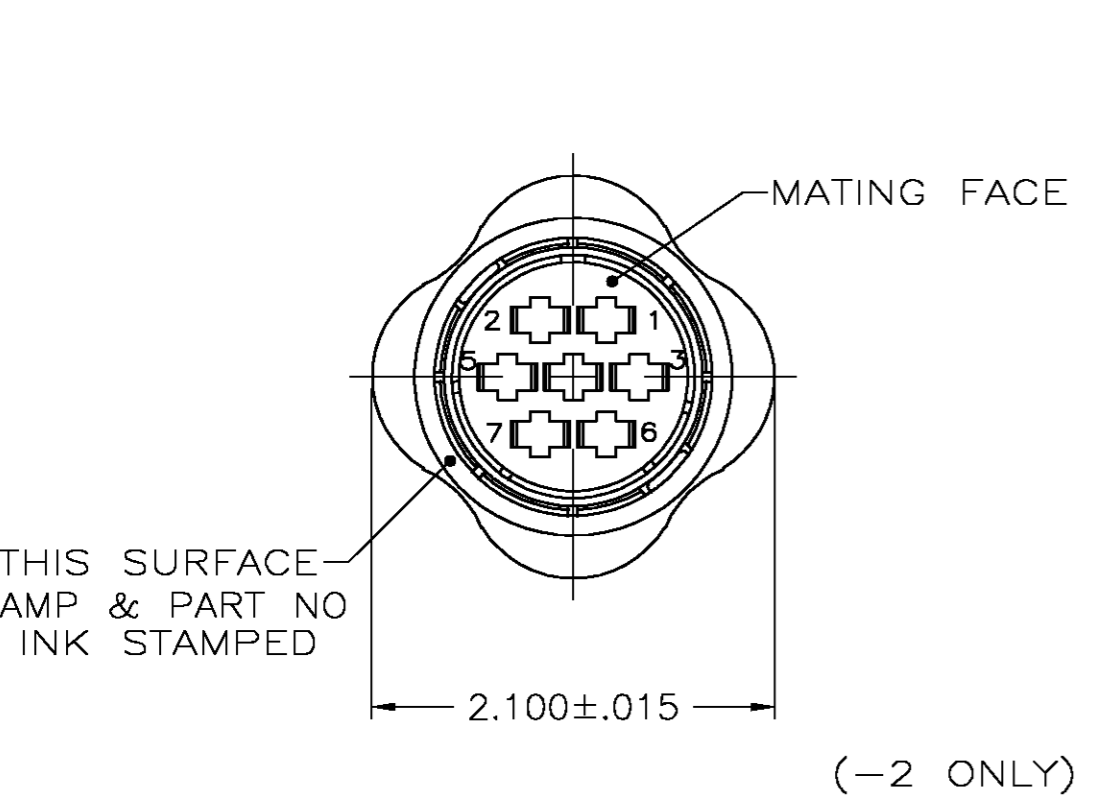
Jameco Part Number 495525

THIS DRAWING IS UNPUBLISHED. RELEASED FOR PUBLICATION
 © COPYRIGHT BY TYCO ELECTRONICS CORPORATION. ALL RIGHTS RESERVED.

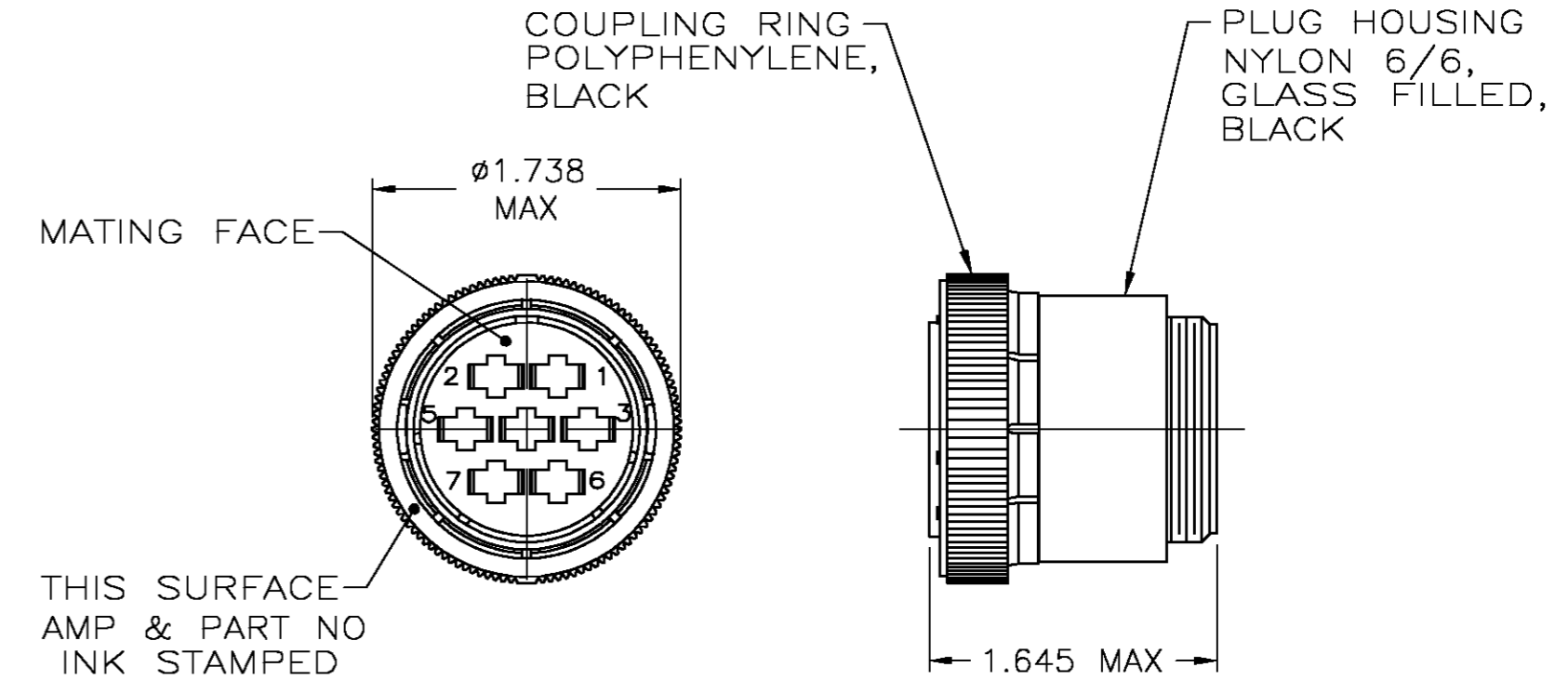
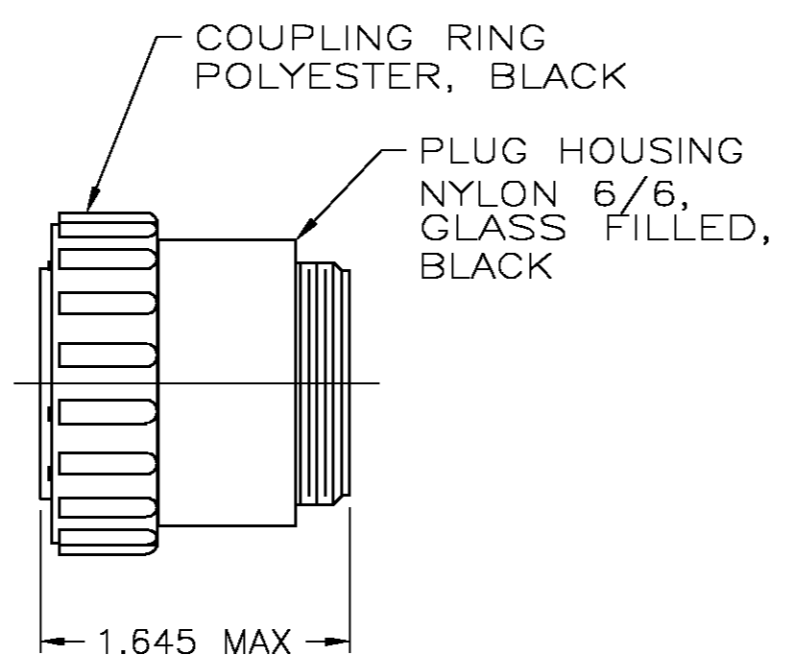
LOC		DIST		REVISIONS			
P	LTR	DESCRIPTION	DATE	DWN	APVD		
FT	0						
	J	REVISED PER 0G3B-0899-04	10/8/04	SS	HW		



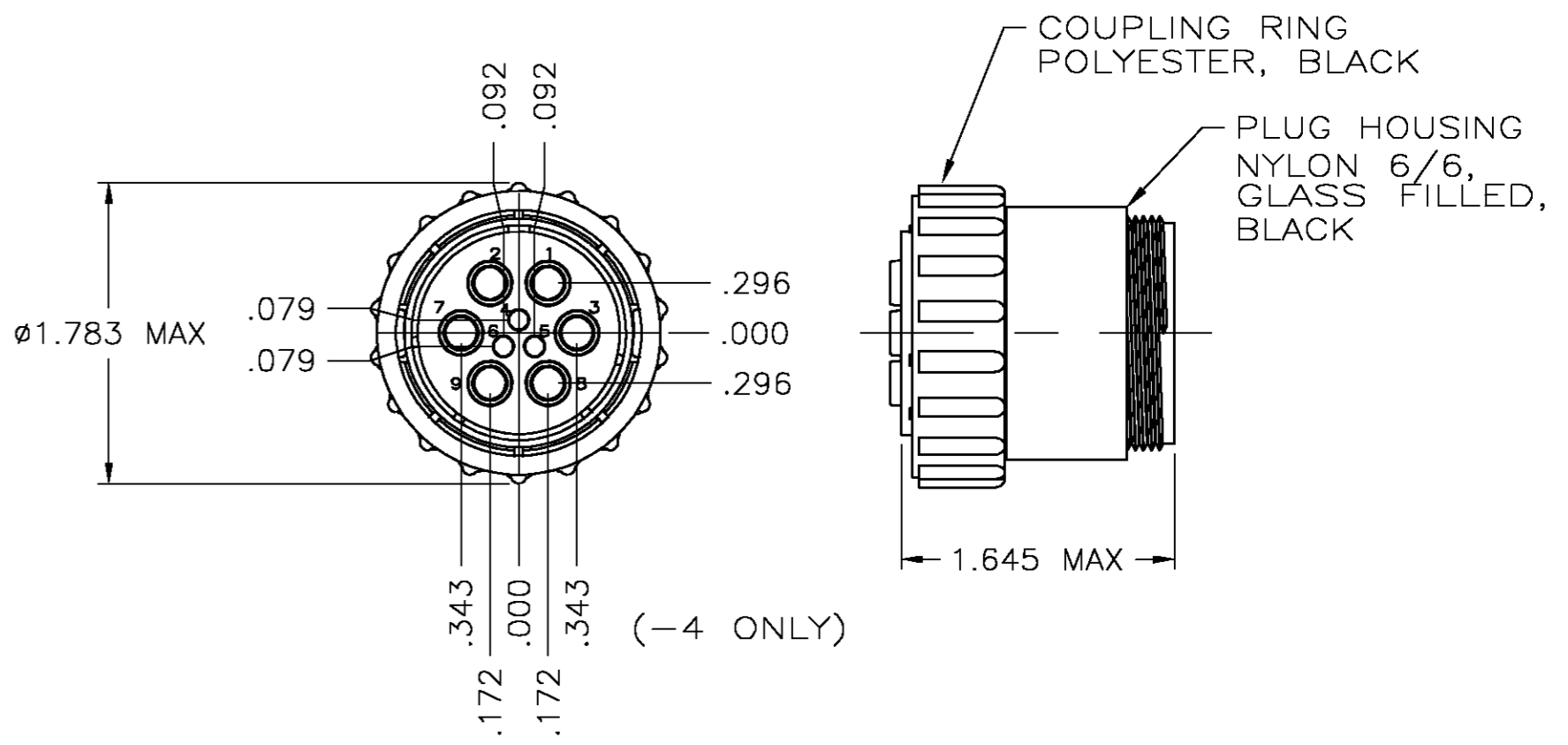
(-1 ONLY)



(-2 ONLY)



(-3 ONLY)



(-4 ONLY)

NOTES:

- CONTACT CAVITIES IDENTIFIED BY CHARACTERS ON FRONT AND REAR FACE OF CONNECTOR.
- 1, -2 AND -3 CONNECTORS WILL ACCEPT SEVEN (7) TYPE XII SOCKET CONTACTS.
- 4 CONNECTOR WILL ACCEPT SIX (6) POWER BAND SOCKET CONTACTS AND THREE (3) TYPE III+ SIGNAL SOCKET CONTACTS.

PRELIMINARY	206136-4
	206136-3
OBSOLETE	206136-2
	206136-1
PART NUMBER	

THIS DRAWING IS A CONTROLLED DOCUMENT.		DWN	S.RIDGLEY BG	7/30/90	 Tyco Electronics Corporation Harrisburg, Pa 17105-3608
DIMENSIONS: INCHES		CHK	R.STONE	04/26/91	
TOLERANCES UNLESS OTHERWISE SPECIFIED:		APVD			NAME
0 PLC ± -		PRODUCT SPEC	108-10024		PLUG ASSEMBLY, SHELL SIZE 23, STANDARD SEX, CPC
1 PLC ± -		APPLICATION SPEC			
2 PLC ± .02		SIZE	A2	CAGE CODE	00779
3 PLC ± .010		DRAWING NO	C=206136		RESTRICTED TO
4 PLC ± -		WEIGHT			
ANGLES ± -		CUSTOMER DRAWING	SCALE NTS		SHEET 1 OF 1
FINISH -					REV J