

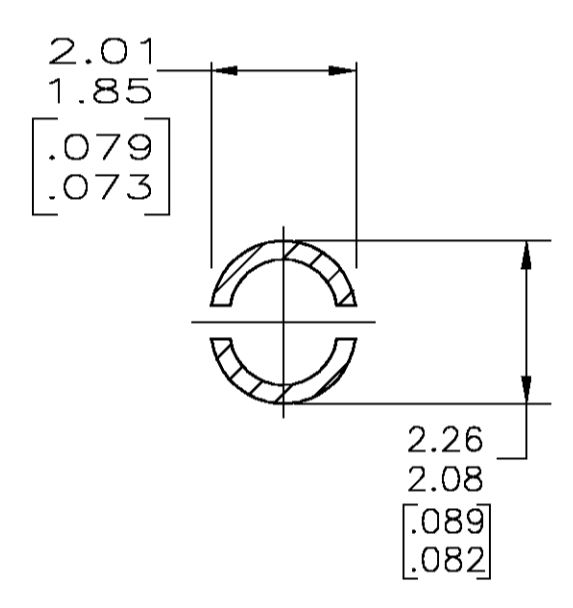
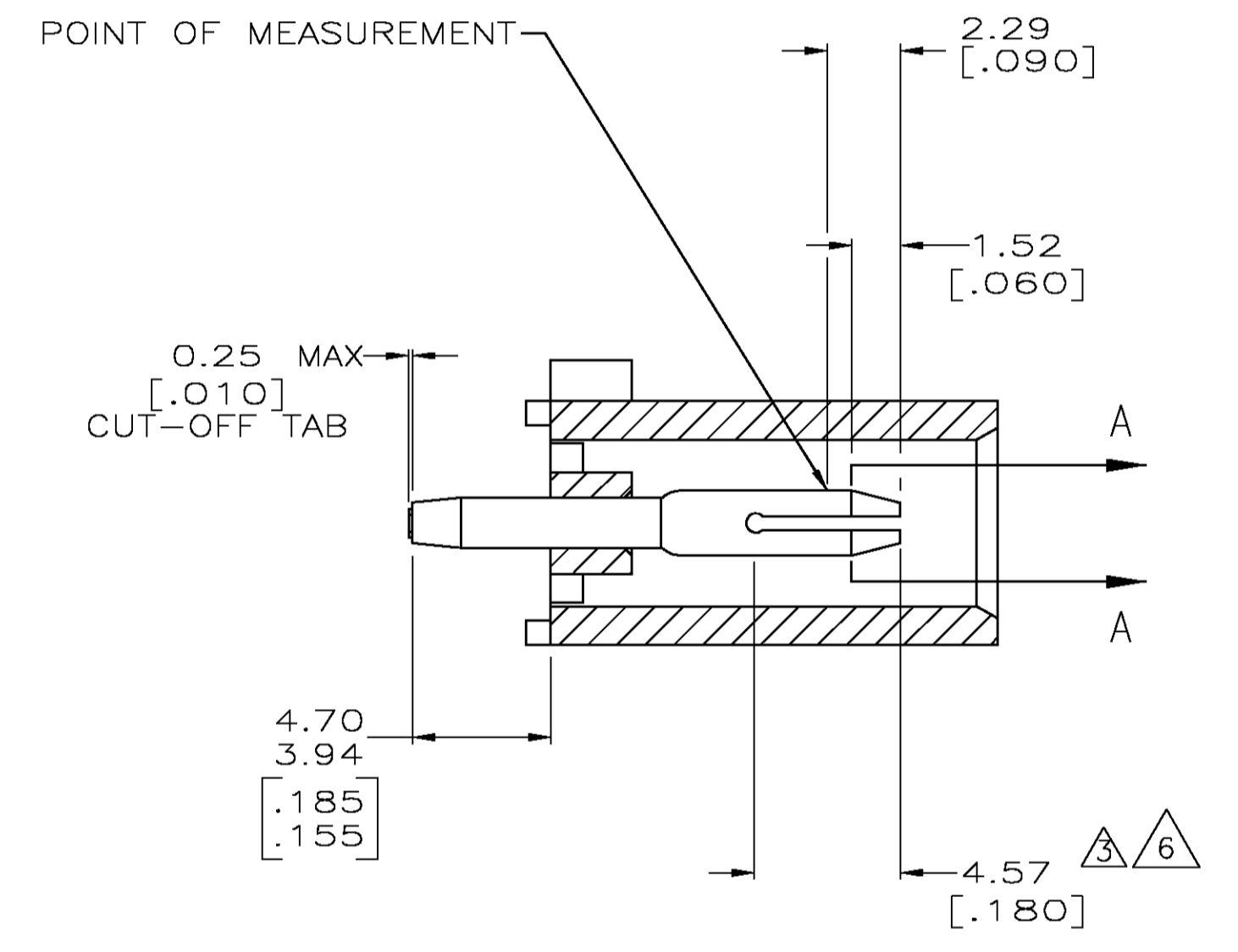
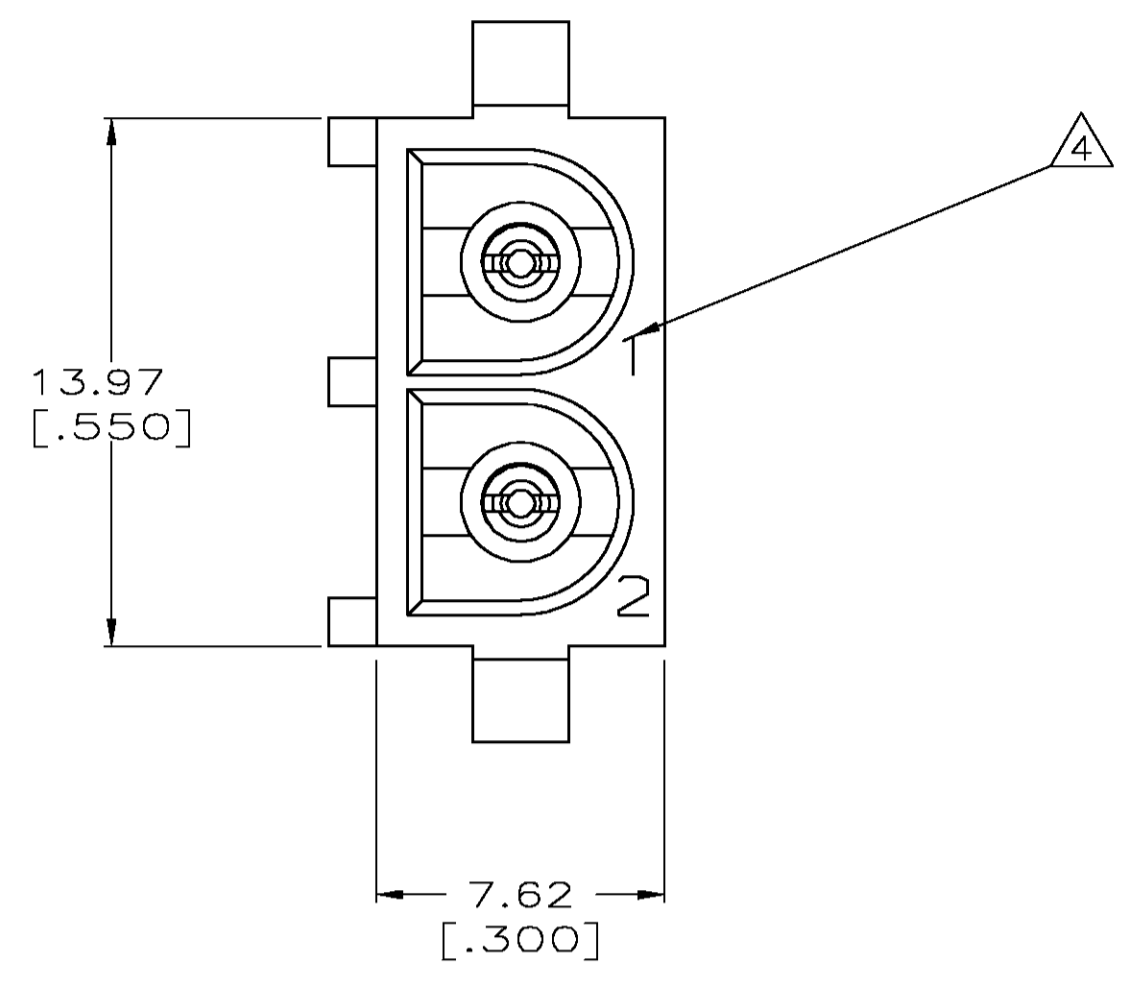
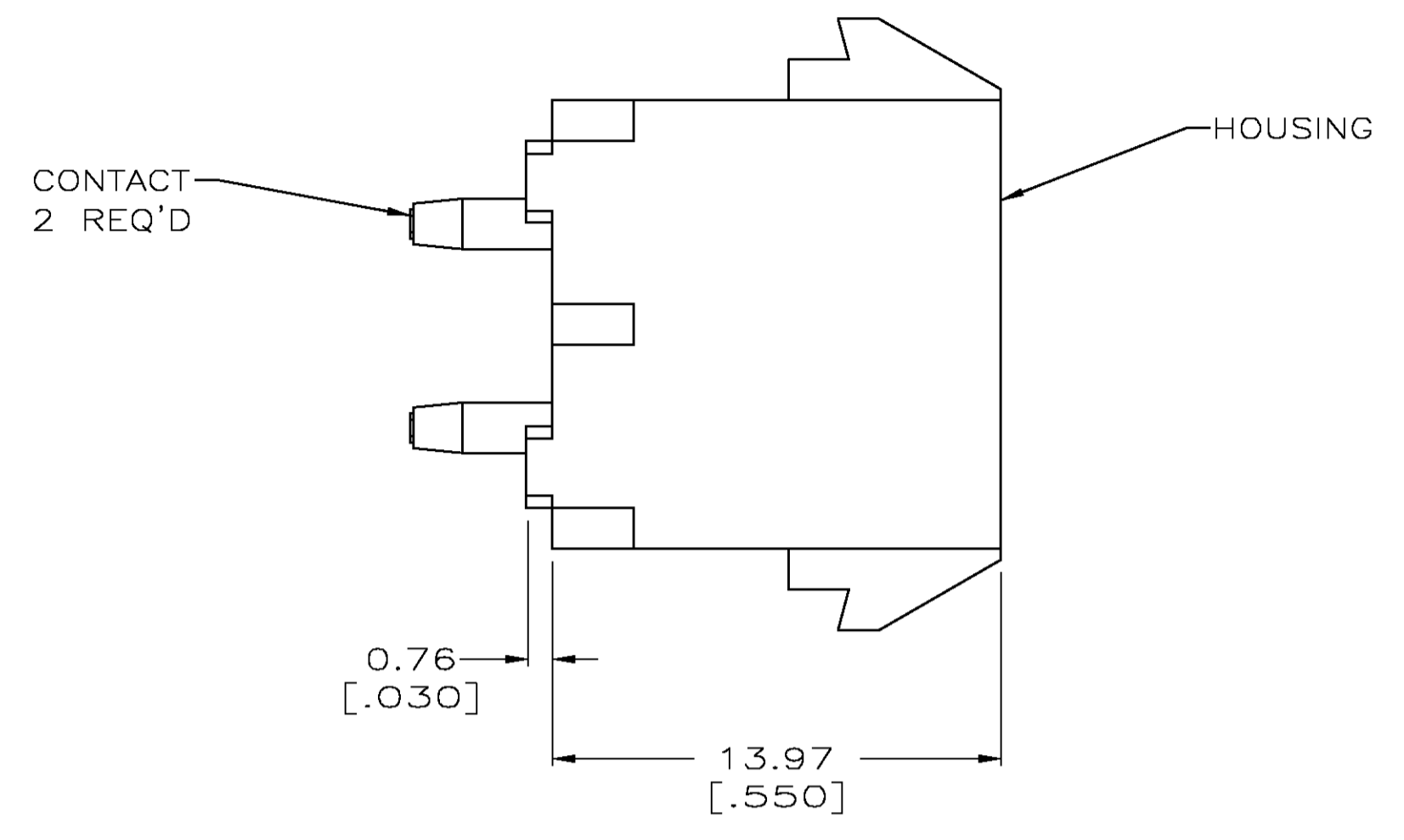
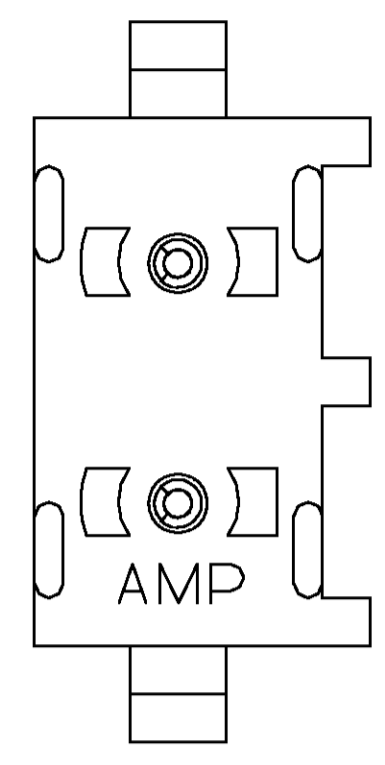
Distributed by:

**JAMECO**<sup>®</sup>  
ELECTRONICS

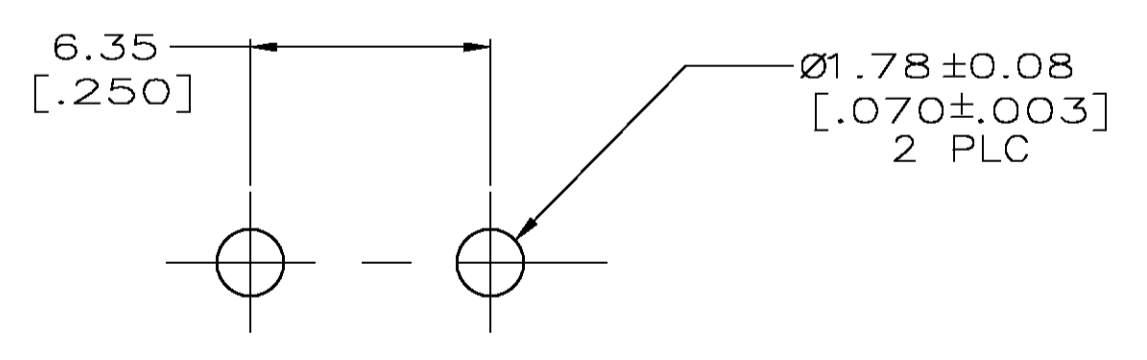
**www.Jameco.com ♦ 1-800-831-4242**

The content and copyrights of the attached  
material are the property of its owner.

Jameco Part Number 495592

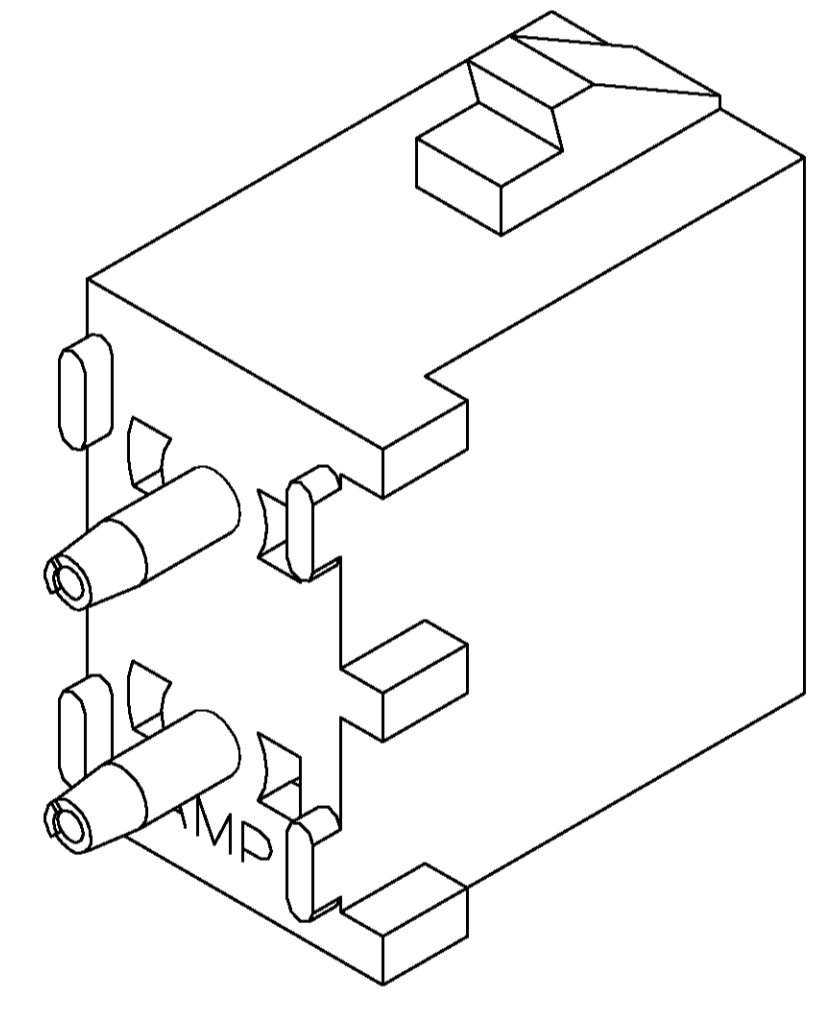


SECTION A-A  
SCALE 10:1



RECOMMENDED MOUNTING HOLE PATTERN  
FOR 1.57 [.062] THICK P.C. BOARD

- PARTS COMPLY TO AMP SOLDERABILITY SPECIFICATION 109-11-3.
- CONTACT IS PLATED OVERALL WITH 0.00127 [.000050] NICKEL, THEN 0.00076 [.000030] GOLD OVER CONTACT LENGTH INDICATED AND MATTE TIN-LEAD ON SOLDER TAIL END.
- CIRCUIT IDENTIFICATION CHARACTERS ARE ADJACENT TO THE INDICATED CAVITIES, BUT LOCATION AND ORIENTATION MAY DIFFER FROM PRINT.
- DIMENSIONS IN BRACKETS ARE IN INCHES.
- CONTACT IS PLATED OVERALL WITH 0.00127 [.000050] NICKEL, THEN 0.00076 [.000030] GOLD OVER CONTACT LENGTH INDICATED AND MATTE TIN ON SOLDER TAIL END.



PHOSPHOR BRONZE, GOLD $\Delta 6$	NYLON, UL94V-2 NATURAL	350428-4
PHOSPHOR BRONZE, GOLD $\Delta 3$	NYLON, UL94V-2 NATURAL	350428-2
PHOSPHOR BRONZE, PRE-TIN	NYLON, UL94V-2 NATURAL	350428-1
PIN CONTACT MATERIAL AND FINISH	HOUSING MATERIAL	PART NUMBER

THIS DRAWING IS A CONTROLLED DOCUMENT.

DIMENSIONS: MM 	TOLERANCES UNLESS OTHERWISE SPECIFIED: 0 PLC ± 1 PLC ± 2 PLC ± 0.13 [.005] 3 PLC ± 4 PLC ± ANGLES ± 0.30° FINISH SEE TABLE	DWN S. CARPENTER 24JUN2003 CHK S. RIDGILL 24JUN2003 APVD S. RIDGILL 24JUN2003 NAME: PIN HEADER ASSEMBLY, 2 CIRCUIT APPLICATION SPEC SIZE: A1 CAGE CODE: 00779 DRAWING NO: 350428 WEIGHT: — CUSTOMER DRAWING	Tyco Electronics Corporation Harrisburg, PA 17105 Tyco Electronics RESTRICTED TO SCALE: 5:1 SHEET: 1 OF 1 REV: Y
-----------------------	---	--	--

