

Distributed by:

JAMECO[®]
ELECTRONICS

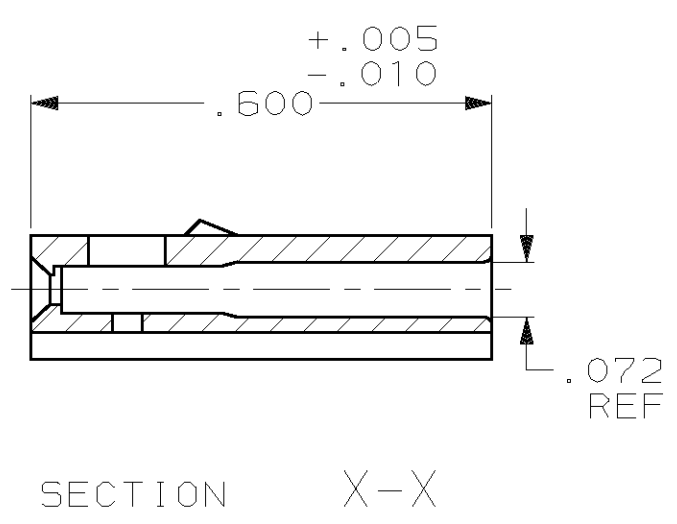
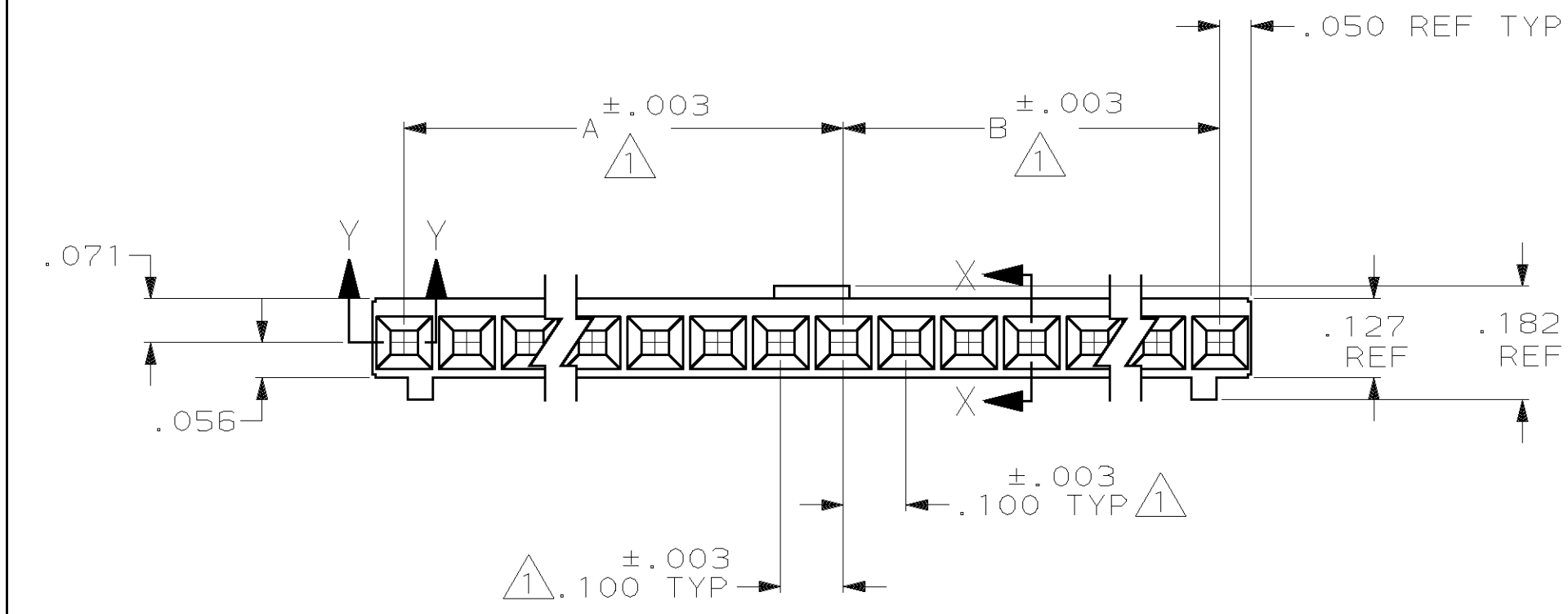
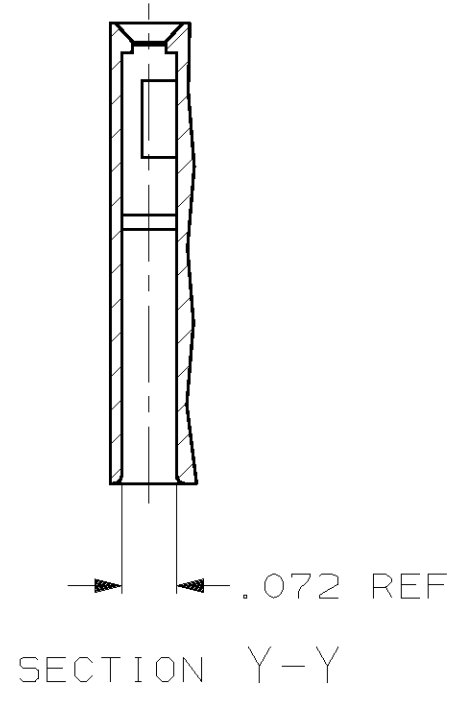
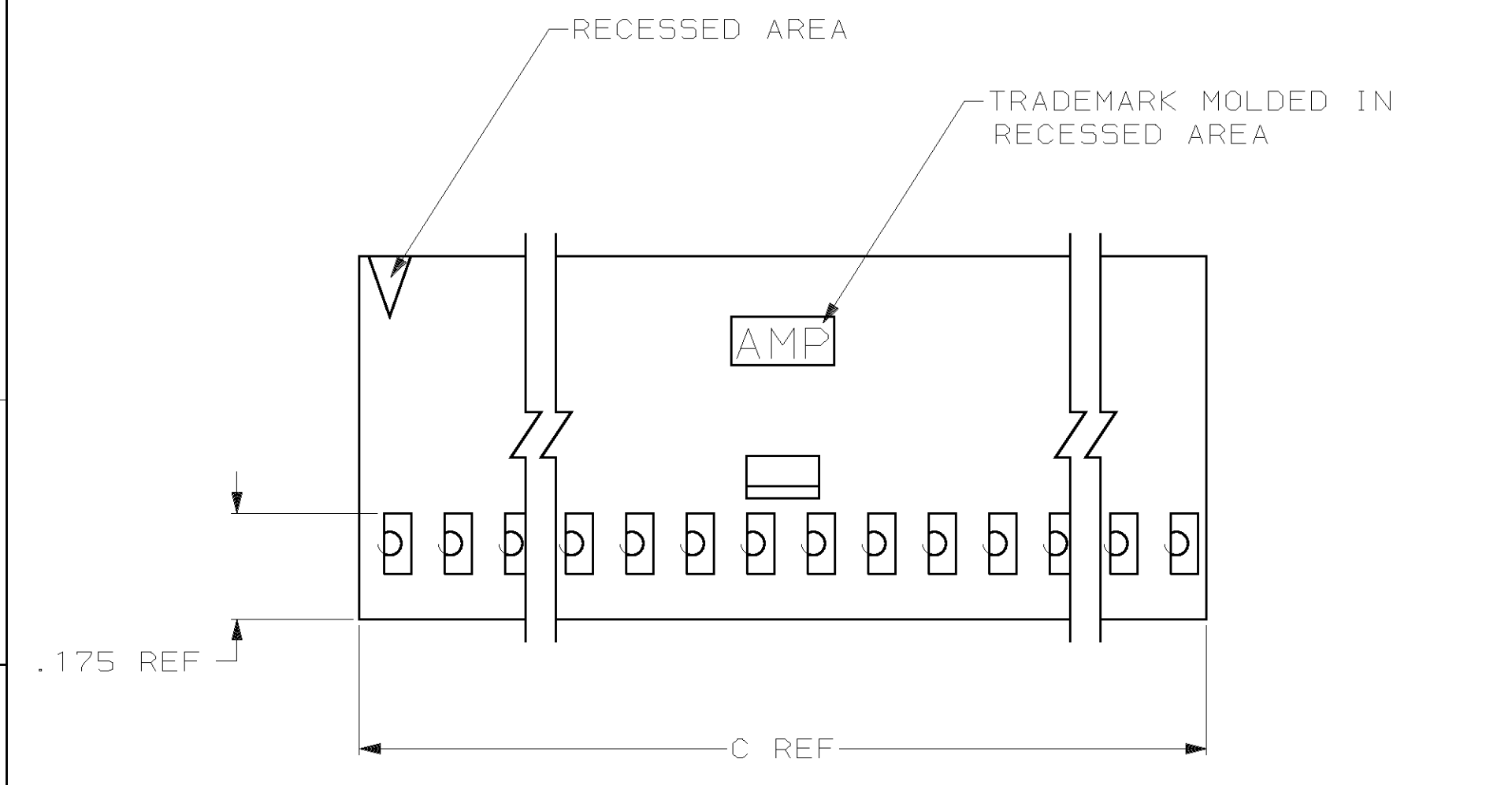
www.Jameco.com ♦ 1-800-831-4242

The content and copyrights of the attached
material are the property of its owner.

Jameco Part Number 496237

THIS DRAWING IS UNPUBLISHED. RELEASED FOR PUBLICATION ,19 .
 © COPYRIGHT 19 BY AMP INCORPORATED. ALL INTERNATIONAL RIGHTS RESERVED.

LOC	DIST	P	F	REVISIONS		DATE	APPD
AD	39			ZONE	LTR	DESCRIPTION	
				N		REV PER 063C-0200-04	140CT04 JR/DS



3.600	1.700	1.800	36	3-102241-4
3.500	1.700	1.700	35	3-102241-3
3.400	1.600	1.700	34	3-102241-2
3.300	1.600	1.600	33	3-102241-1
3.200	1.500	1.600	32	3-102241-0
3.100	1.500	1.500	31	2-102241-9
3.000	1.400	1.500	30	2-102241-8
2.900	1.400	1.400	29	2-102241-7
2.800	1.300	1.400	28	2-102241-6
2.700	1.300	1.300	27	2-102241-5
2.600	1.200	1.300	26	2-102241-4
2.500	1.200	1.200	25	2-102241-3
2.400	1.100	1.200	24	2-102241-2
2.300	1.100	1.100	23	2-102241-1
2.200	1.000	1.100	22	2-102241-0
2.100	1.000	1.000	21	1-102241-9
2.000	.900	1.000	20	1-102241-8
1.900	.900	.900	19	1-102241-7
1.800	.800	.900	18	1-102241-6
1.700	.800	.800	17	1-102241-5
1.600	.700	.800	16	1-102241-4
1.500	.700	.700	15	1-102241-3
1.400	.600	.700	14	1-102241-2
1.300	.600	.600	13	1-102241-1
1.200	.500	.600	12	1-102241-0
1.100	.500	.500	11	102241-9
1.000	.400	.500	10	102241-8
.900	.400	.400	9	102241-7
.800	.300	.400	8	102241-6
.700	.300	.300	7	102241-5
.600	.200	.300	6	102241-4
.500	.200	.200	5	102241-3
.400	.100	.200	4	102241-2
.300	.100	.100	3	102241-1

- ① CAVITY LOCATION DIMENSIONS INCREASE IN INCREMENTS OF .100 TOLERANCE NON-CUMULATIVE
- 2 USE EXTRACTION TOOL 91052-1 TO REMOVE RECEPTACLE CONTACTS
- ③ OBSOLETE PART NUMBER

DO NOT SCALE PRINT. UNLESS SPECIFIED DIMENSIONS IN INCHES TOLERANCES ON :		PART NO	
DR 8-2-78 D FABIAN	CHK 10-27-78 B WOLFE	AMP INCORPORATED Harrisburg, Pa. 17105	
APPD 10-27-78 D LITTLE	APPD 10-27-78 J MULLIGAN		
MATERIAL FLAME RETARDANT GLASS FILLED NYLON COLOR: BLACK PER ASTM D4066	PRODUCT SPEC -	NAME CONN HOUSING, CRIMP SNAP-IN MOD IV, SINGLE ROW, .100 CENTERS, WITH POLARIZATION & DETENTS	
FINISH -	APPLICATION SPEC -	SIZE C	FSCM NO 00779
	WEIGHT -	SCALE -	DRAWING NO 102241
			SHEET 1 OF 1