

Distributed by:

JAMECO[®]
ELECTRONICS

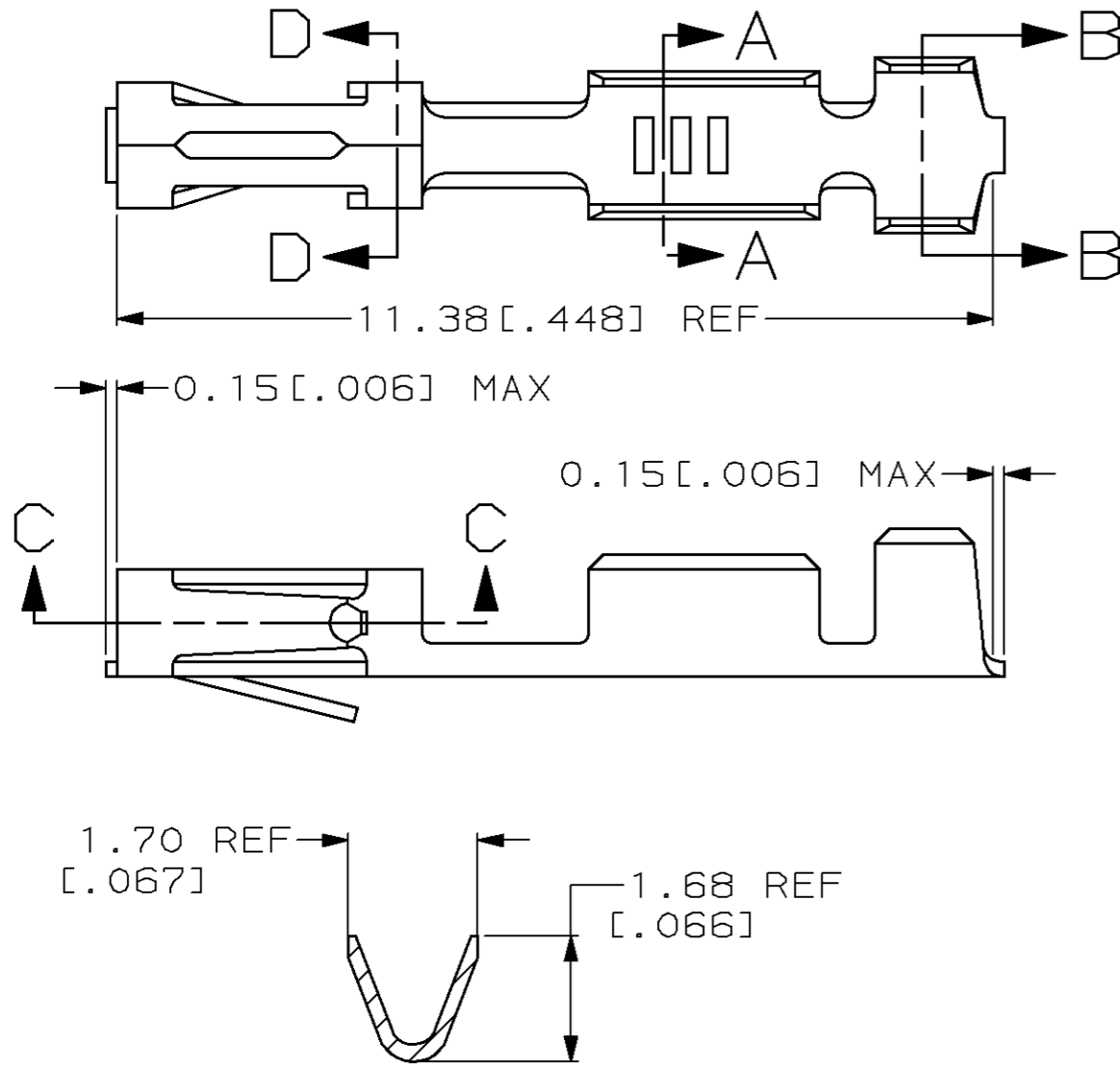
www.Jameco.com ♦ 1-800-831-4242

The content and copyrights of the attached
material are the property of its owner.

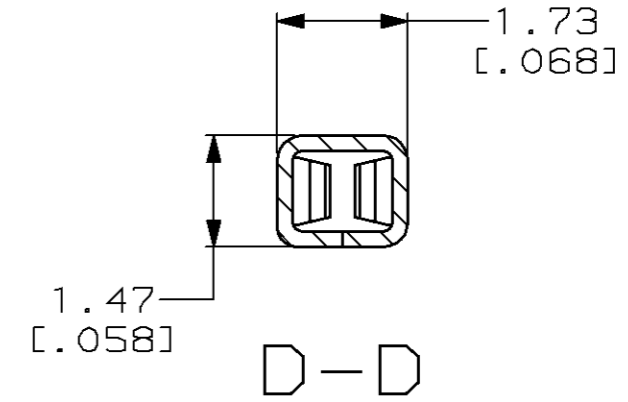
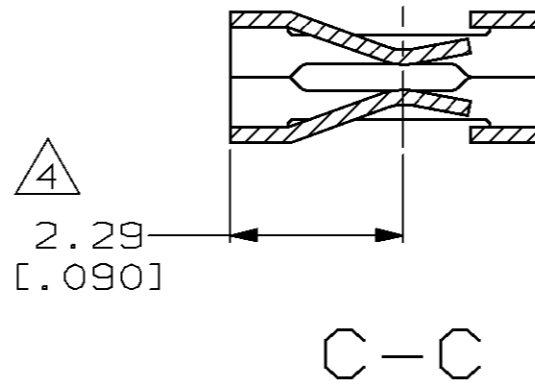
Jameco Part Number 496253

THIS DRAWING IS UNPUBLISHED. RELEASED FOR PUBLICATION, 19 .
 © COPYRIGHT 19 BY AMP INCORPORATED. ALL RIGHTS RESERVED.

LOC	DIST	REVISIONS			
P	LTR	DESCRIPTION	DATE	DWN	APVD
AD	39	J	RELEASED	03-JAN-96	EB SS
		K	REV PER 0010-1496-95	18-MAR-96	EB SS
		L	REV PER 0310-0024-97	16-JAN-97	EB JS
		M	REV PER 0310-0325-97	28-JUL-97	EB BS

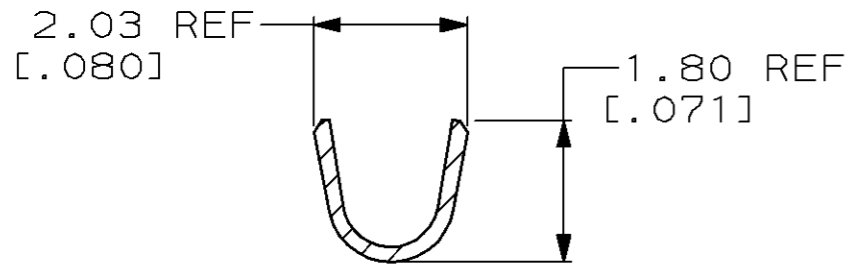


- 1 0.00076[.000030] MIN GOLD IN CONTACT AREA, GOLD FLASH ON THE REMAINDER OF THE TERMINAL, ALL OVER 0.00127[.000050]-0.00254[.000100] NICKEL ENTIRE TERMINAL.
- 2 PREPLATED 0.00127[.000050]-0.00381[.000150] BRIGHT TIN.
- 3 CONTACTS TO BE TREATED WITH LUBRICANT.
- 4 POINT OF MEASUREMENT FOR PLATING THICKNESS (INSIDE BEAMS).



WIRE SIZE #22-#26

SECTION A-A



INSULATION RANGE 1.55 [.061] MAX

SECTION B-B

OBSOLETE	-	102128-5
OBSOLETE	-	102128-4
OBSOLETE	-	102128-3
	2 3	102128-2
	1	102128-1
FINISH REF		PART NUMBER

DIMENSIONS:		TOLERANCES UNLESS OTHERWISE SPECIFIED:		DWN		AMP Incorporated Harrisburg, PA 17105-3608
mm	[INCH]	PLC	±	CHK	DATE	
		0 PLC	±-	E. BRANDBERG	03-JAN-96	
		1 PLC	±-	S. SHUEY	03-JAN-96	
		2 PLC	±0.13 [.005]	S. SHUEY	03-JAN-96	
		3 PLC	±-	PRODUCT SPEC		NAME
		4 PLC	±-	108-25007		CONTACT, MOD V, RECEPTACLE, CRIMP SNAP IN, LOOSE PIECE
		ANGLES	±-	APPLICATION SPEC		SIZE
				114-25003		CAGE CODE
MATERIAL	PhBr	FINISH	SEE TABLE	WEIGHT	-	DRAWING NO
				CUSTOMER DRAWING		A3 00779 C-102128
						SCALE 10:1 SHEET 1 OF 1 REV M