

Distributed by:

**JAMECO**<sup>®</sup>  
ELECTRONICS

**www.Jameco.com ♦ 1-800-831-4242**

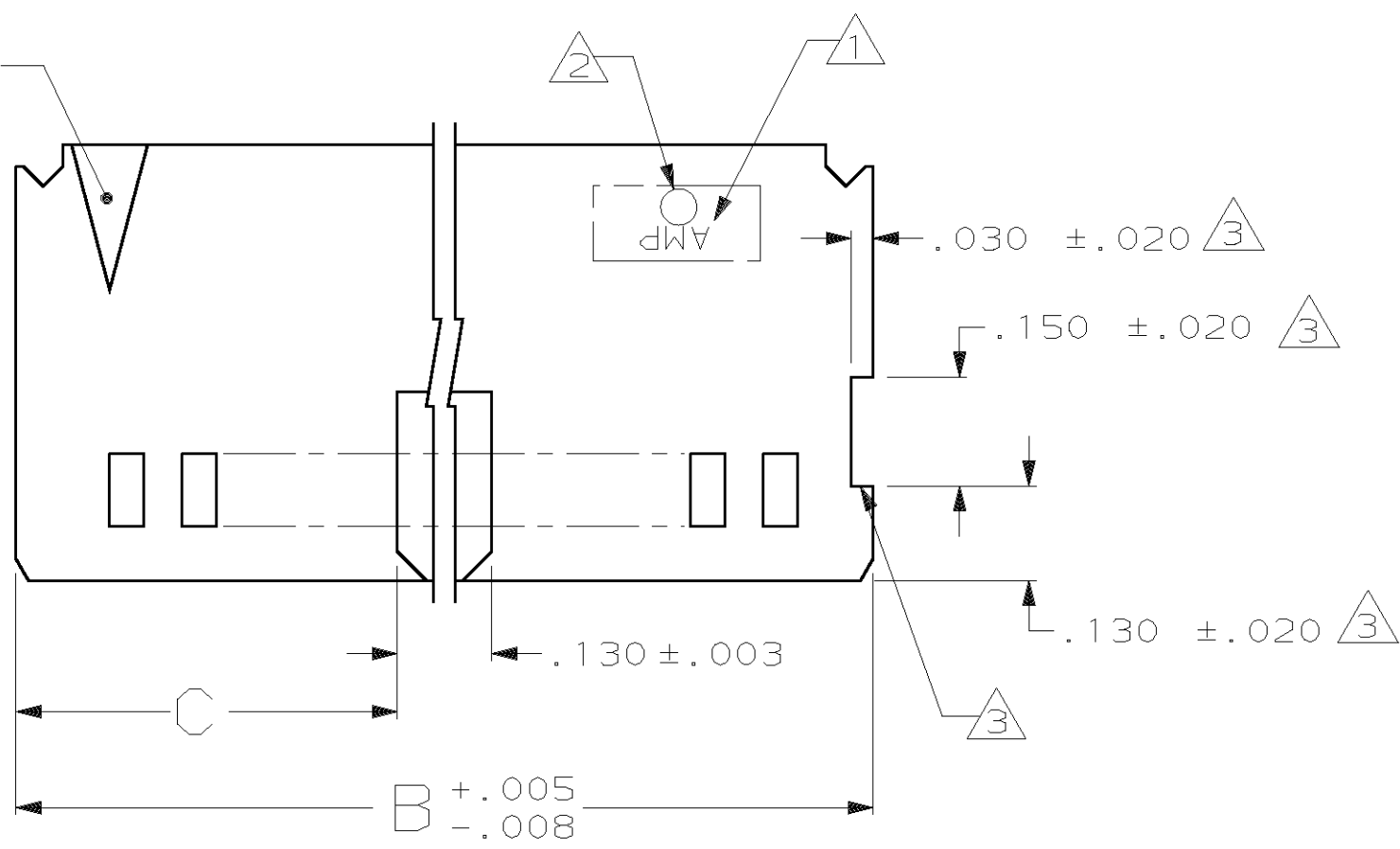
The content and copyrights of the attached  
material are the property of its owner.

Jameco Part Number 496309

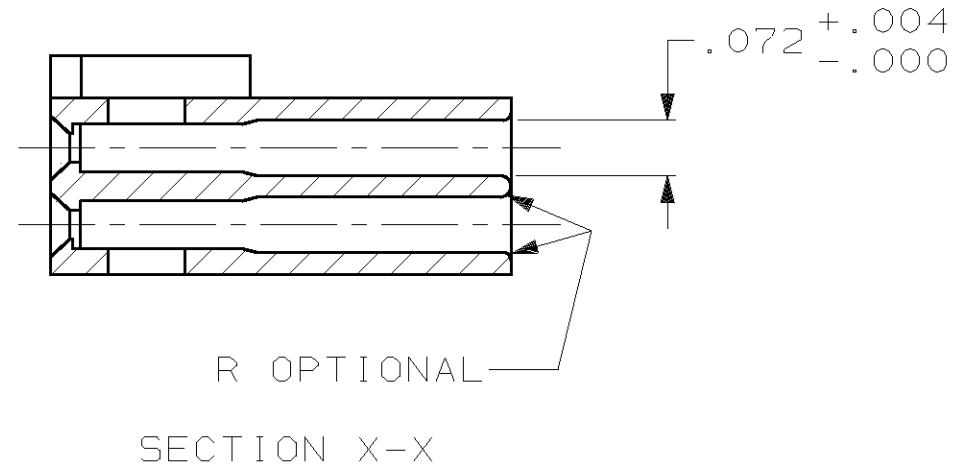
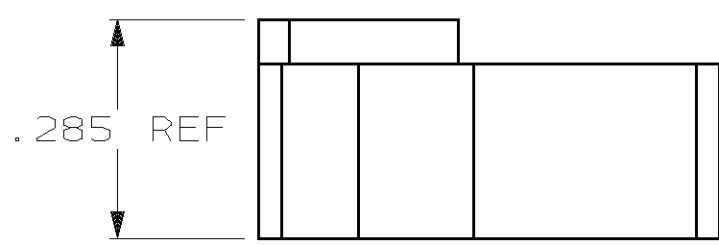
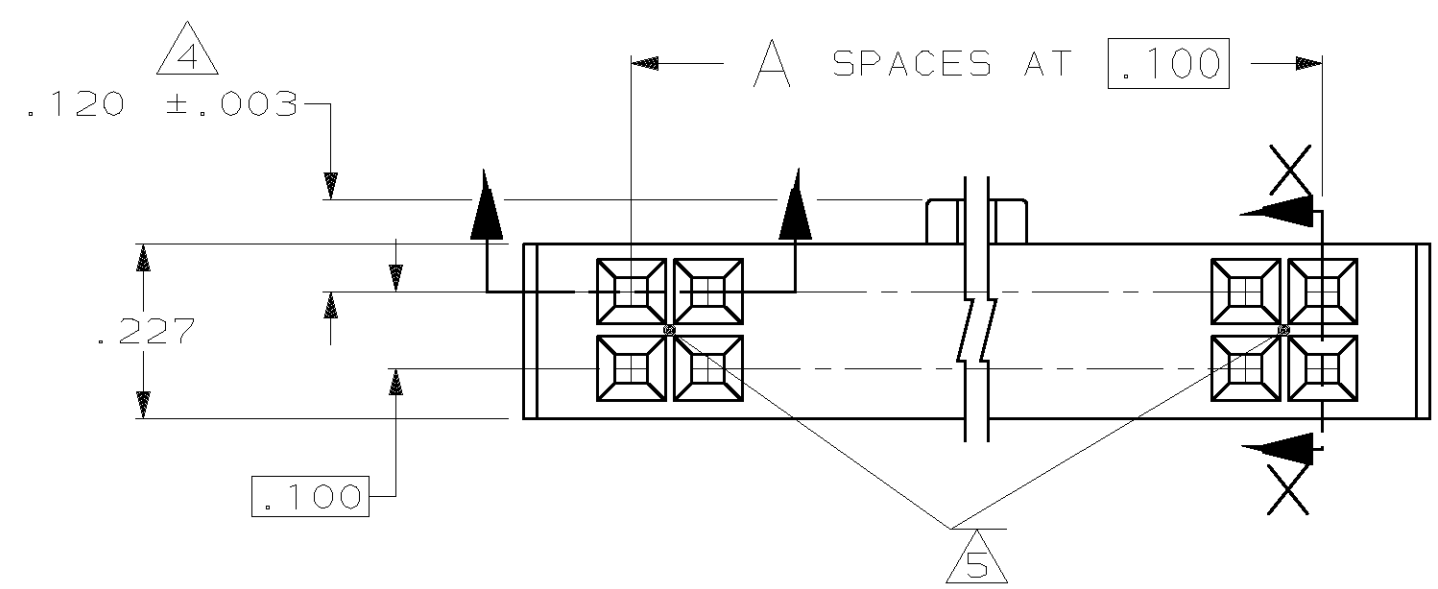
THIS DRAWING IS UNPUBLISHED. RELEASED FOR PUBLICATION  
 © COPYRIGHT 19 BY AMP INCORPORATED. ALL INTERNATIONAL RIGHTS RESERVED.

MOD	LOC	DIST	P	F	ZONE	LTR	DESCRIPTION	DATE	APPD
30	AD	39				R	REV PER 063C-0203-04	14OCT04	JR/D5

POSN #1 INDICATOR

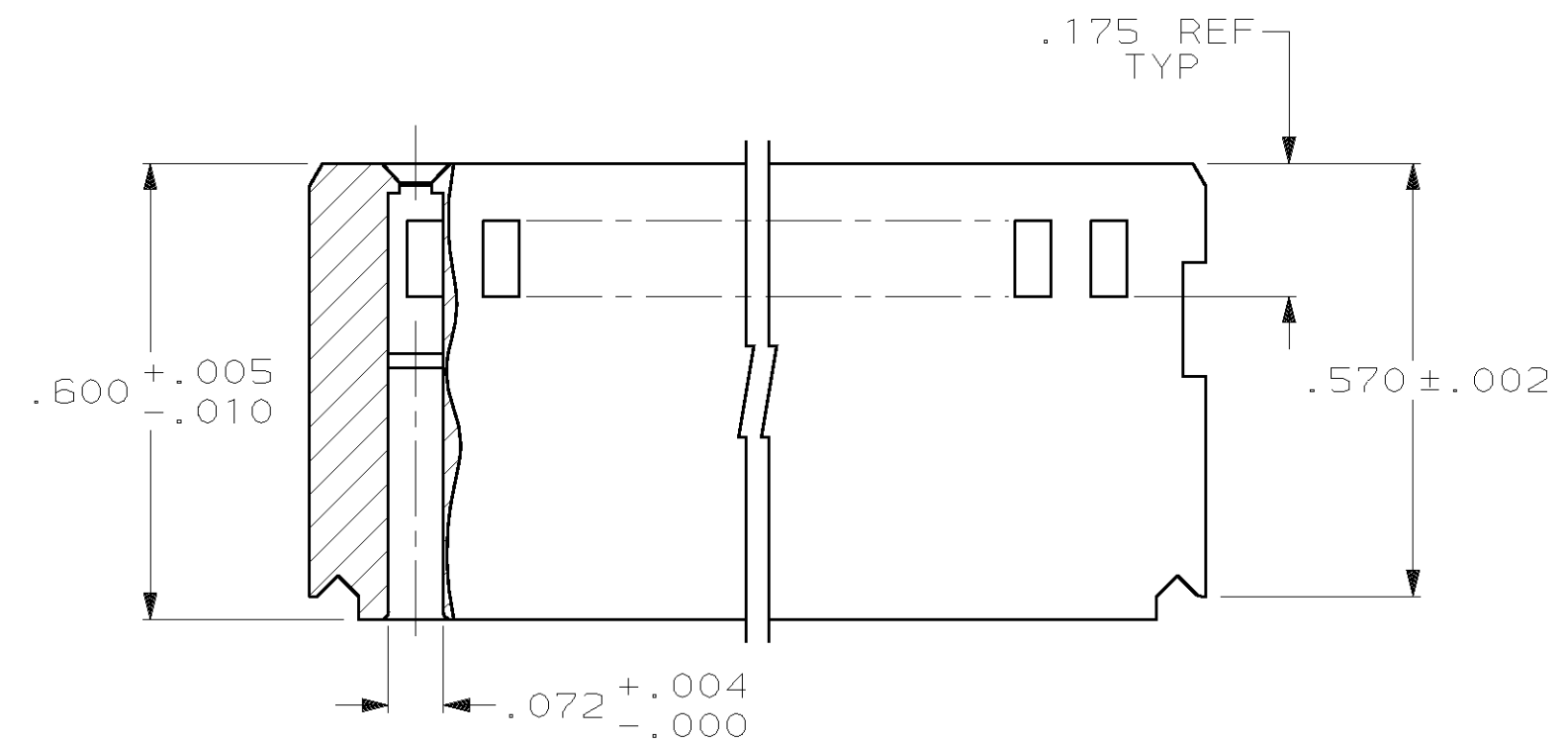


- 1 AMP TRADEMARK (MOLDED IN) .062±.015 HIGH CHARACTERS LOCATED APPROX AS SHOWN
- 2 MOLD CAVITY IDENT (MOLDED IN) .046±.015 HIGH CHARACTERS LOCATED APPROX AS SHOWN
- 3 RECESSED AREA AROUND MOLD GATE IS OPTIONAL. THIS FEATURE IS ALLOWABLE ON EITHER SIDE OF HOUSING OR MAY NOT BE PRESENT AT ALL.
- 4 COORDINATE DIMENSION APPLIES FROM CENTER OF FIRST ACTUAL FEATURE
- 5 RECESSED AREA AROUND GATE PERMISSIBLE. THIS FEATURE IS ALONG CENTERLINE OF MATING FACE.



.575	1.280	10	22	1-102387-5
.225	.580	3	8	1-102387-4
1.125	2.380	21	44	1-102387-3
1.625	3.380	31	64	1-102387-2
1.525	3.180	29	60	1-102387-1
1.275	2.680	24	50	1-102387-0
1.025	2.180	19	40	102387-9
.875	1.880	16	34	102387-8
.775	1.680	14	30	102387-7
.675	1.480	12	26	102387-6
.625	1.380	11	24	102387-5
.525	1.180	9	20	102387-4
.425	.980	7	16	102387-3
.375	.880	6	14	102387-2
.275	.680	4	10	102387-1

C	B	A	NO. OF POSN	PART NO.
---	---	---	-------------	----------



DO NOT SCALE PRINT. UNLESS SPECIFIED DIMENSIONS IN INCHES TOLERANCES ON : 2 PLC DEC ± - 3 PLC DEC ± .005 ANGLES ± -		DR 5-17-89 B MOYER		AMP INCORPORATED Harrisburg, Pa. 17105	
MATERIAL FLAME RETARDANT THERMOPLASTIC COLOR: BLACK PER ASTM D4066		CHK 6-13-89 K. HELM			
FINISH -		APPD 6-13-89 K. CHAVEY		NAME HOUSING, CRIMP SNAP-IN, SHORT ENTRY, MOD IV	
		APPD 6-13-89 FLINCHBAUGH		DRAWING NO 102387	
		PRODUCT SPEC -		SIZE C 00779	
		APPLICATION SPEC -		DRAWING NO 102387	
		WEIGHT -		SCALE 4:1	
				SHEET 1 OF 1	