

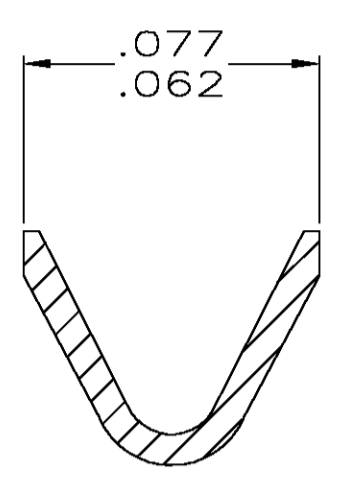
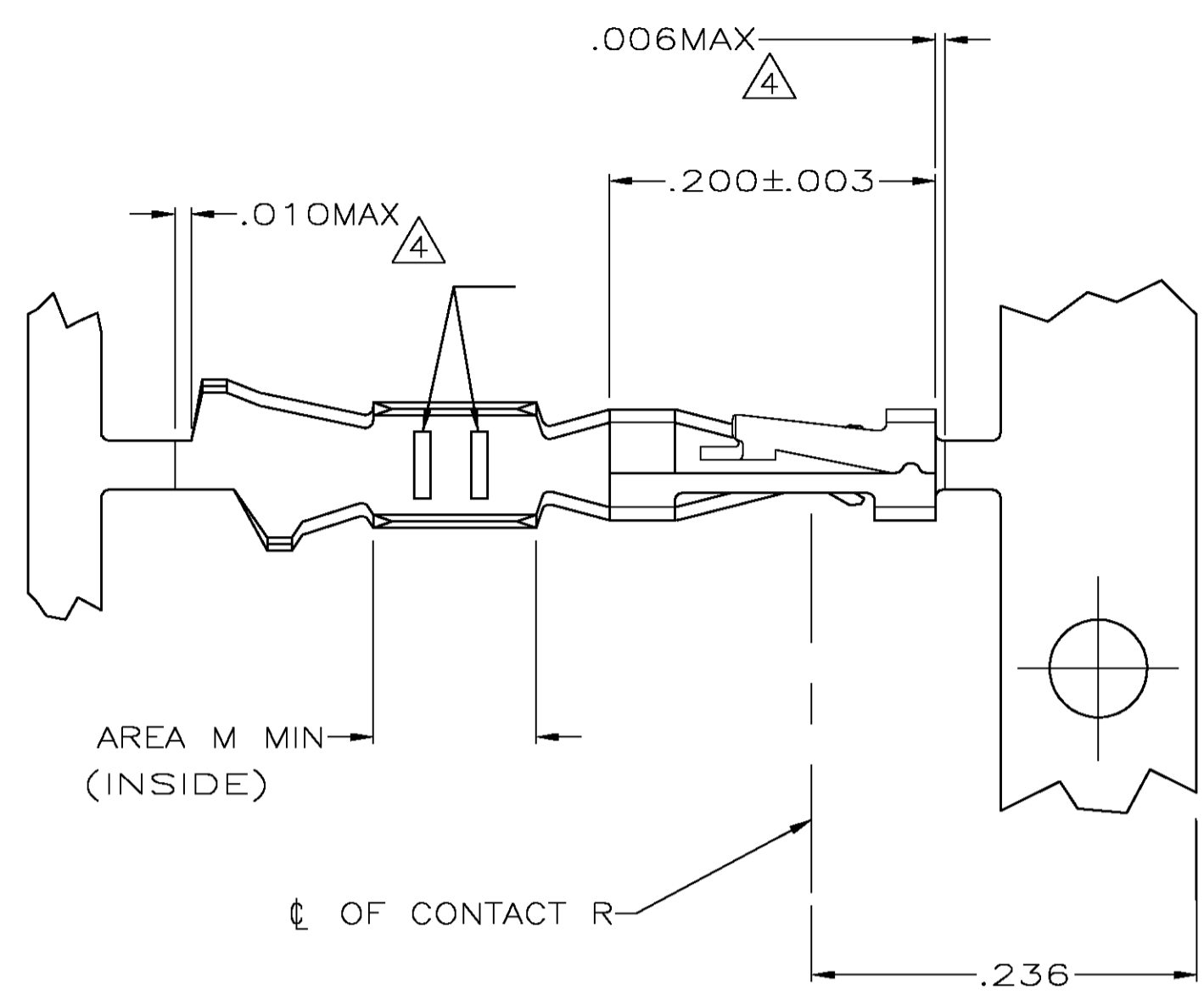
Distributed by:

JAMECO[®]
ELECTRONICS

www.Jameco.com ♦ 1-800-831-4242

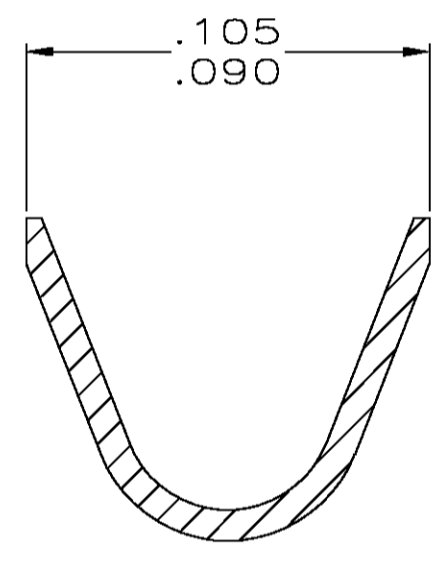
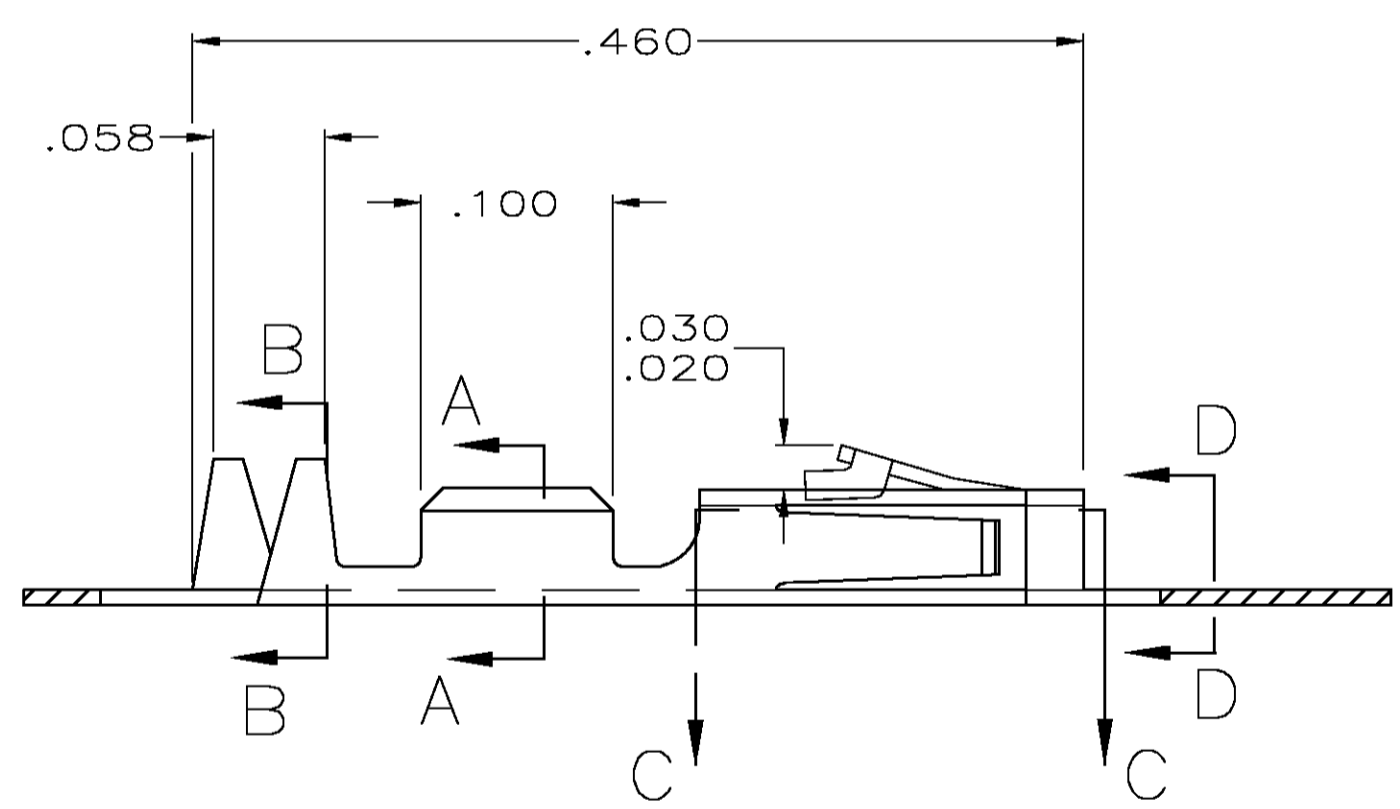
The content and copyrights of the attached
material are the property of its owner.

Jameco Part Number 496448

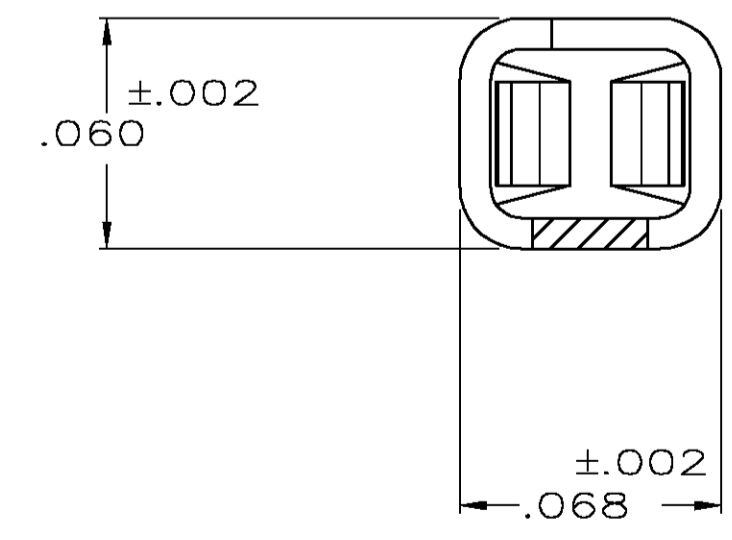
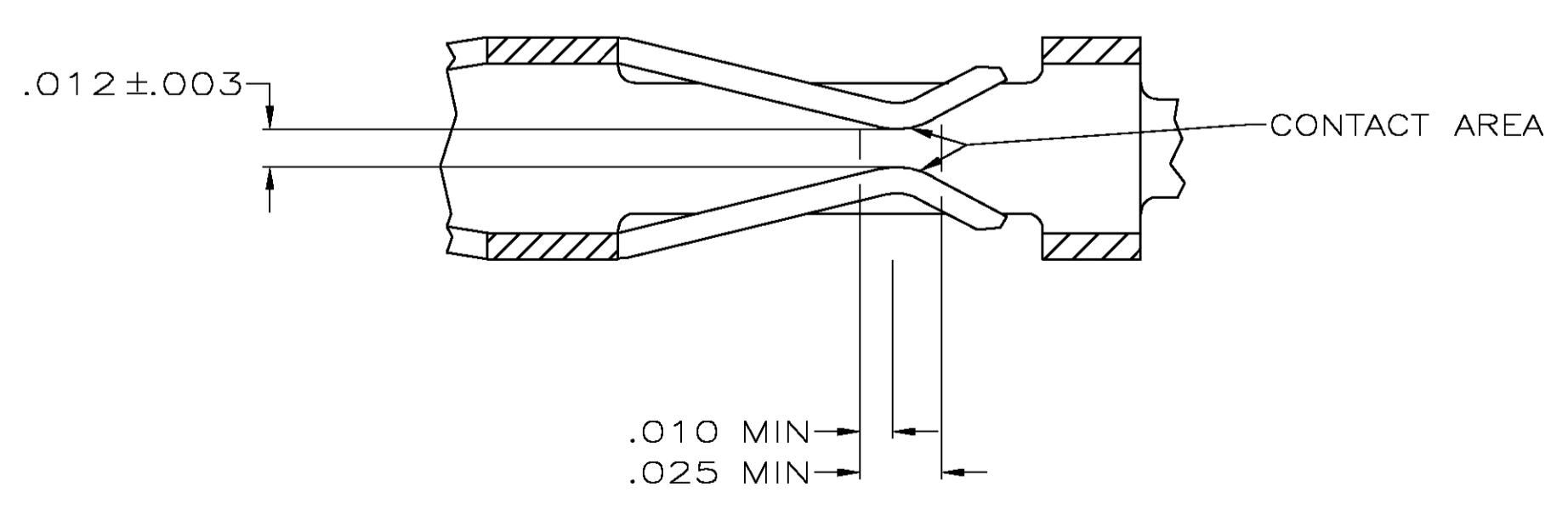


SECTION A-A
SCALE 20:1

- 1 .000100 MIN BRIGHT TIN-LEAD OVER .000050 MIN NICKEL ON ENTIRE CONTACT
- 2 .000050 MIN NICKEL ON ENTIRE CONTACT; .000015 MIN GOLD ON CONTACT AREA; .000050 MIN BRIGHT TIN-LEAD ON AREA M.
- 3 .000050 MIN NICKEL ON ENTIRE CONTACT; .000030 MIN GOLD ON CONTACT AREA; .000050 MIN BRIGHT TIN-LEAD ON AREA M.
- 4 LOOSE PIECE CUT-OFF DIMENSION.
- 5 OBSOLETE PART NUMBER.
- 6 .000015 MIN GOLD ON CONTACT AREA, .000050 MIN BRIGHT TIN ON AREA M, ALL OVER .000050-.000100 NICKEL ON ENTIRE CONTACT.
- 7 .000030 MIN GOLD ON CONTACT AREA, .000050 MIN BRIGHT TIN ON AREA M, ALL OVER .000050-.000100 NICKEL ON ENTIRE CONTACT.
- 8 .000100-.000200 BRIGHT TIN OVER .000050 MIN NICKEL ON ENTIRE CONTACT.



SECTION B-B
INSULATION RANGE .025-.060
SCALE 20:1



SECTION D-D
SCALE 20:1

SECTION C-C
SCALE 20:1

REMARKS	FINISH	PART NO
-	8	1-104480-7
LOOSE PIECE	7	1-104480-6
LOOSE PIECE	6	1-104480-5
LOOSE PIECE	8	1-104480-4
-	7	1-104480-3
-	6	1-104480-2
LOOSE PIECE	5	1-104480-1
LOOSE PIECE	5	1-104480-0
LOOSE PIECE	3	104480-9
LOOSE PIECE	2	104480-8
LOOSE PIECE	1	104480-7
-		104480-6
-		104480-5
-	3	104480-4
-	2	104480-3
-	1	104480-2

THIS DRAWING IS A CONTROLLED DOCUMENT.

DIMENSIONS: INCHES	TOLERANCES UNLESS OTHERWISE SPECIFIED:	0 PLC ± -	1 PLC ± -	2 PLC ± -	3 PLC ± .005	4 PLC ± -	ANGLES ± -
--------------------	--	-----------	-----------	-----------	--------------	-----------	------------

MATERIAL: PHOSPHOR BRONZE	FINISH: SEE TABLE	WEIGHT: -	SIZE: A1	CAGE CODE: 00779	DRAWING NO: 104480	RESTRICTED TO: -
---------------------------	-------------------	-----------	----------	------------------	--------------------	------------------

CUSTOMER DRAWING SCALE 10:1 SHEET 1 OF 1 REV R

THIS DRAWING IS A CONTROLLED DOCUMENT. DWN C. OBERMAN 5-10-89
 CHK K. HELM 5-12-89
 APD R. ELICKER 5-12-89
 NAME: CONTACT, CRIMP SNAP-IN AMPMODU SHORT POINT, 22-26 AWG
 PRODUCT SPEC: 108-1472
 APPLICATION SPEC: 114-25038
 Tyco Electronics Corporation, Harrisburg, Pa 17105-3508